



0.56"FOUR DIGIT DISPLAY

OSL40562-LR

Common Cathode type

■ Features

- High luminous LEDs
- Long lifetime operation
- IC compatible
- Low power dissipation
- Black surface & white segment or dot

■ Applications

- Counting device
- Clock

■ Absolute Maximum Rating (Ta=25°C)

Item	Symbol	Value	Unit
DC Forward Current	I_F	20	mA
Pulse Forward Current*	I_{FP}	100	mA
Reverse Voltage	V_R	5	V
Power Dissipation	P_D	72	mW
Operating Temperature	T_{opr}	-30 ~ +85	°C
Storage Temperature	T_{stg}	-40~ +100	°C
Lead Soldering Temperature (1.6mm from seating plane)	T_{sol}	260°C/5sec	°C

*Pulse width Max.10ms Duty ratio max 1/10

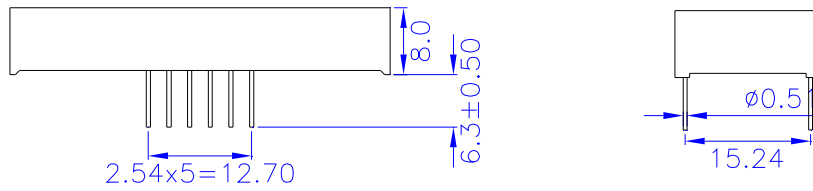
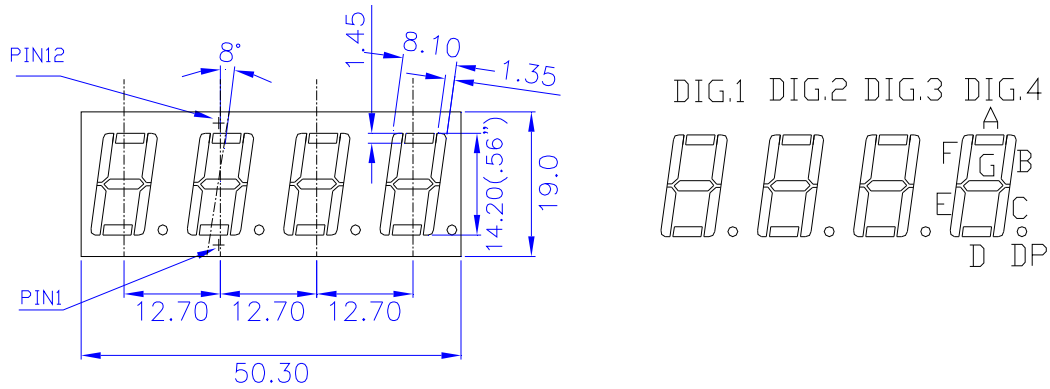
■ Electrical -Optical Characteristics (Ta=25°C)

Item	Symbol	Condition	Min.	Typ.	Max.	Unit
DC Forward Voltage	V_F	$I_F=20mA$	1.8	2.0	2.3	V
DC Reverse Current	I_R	$V_R=5V$	-	-	10	μA
Wavelength characteristics*	λ_D	$I_F=20mA$	635	640	645	nm
Luminous Intensity*	I_v	$I_F=20mA$	-	30	-	mcd

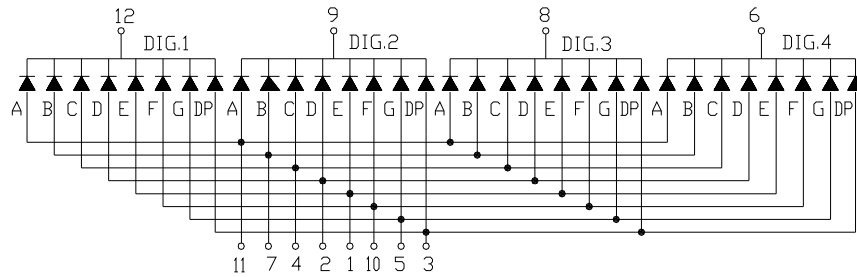
*1 Tolerance of dominant wavelength is $\pm 1nm$

*2 Tolerance of luminous intensity is $\pm 15\%$

■ Package dimensions and pin function



L40562-L



Note:

- 1, Unit : mm(Tolerance:±0.25mm unless otherwise noted)
- 2, The slope angle of any PIN may be $\pm 5.0^\circ$ Max