



PARA LIGHT ELECTRONICS CO., LTD.
4F, No.1, Lane 93, Chien Yi Road, Chung Ho City, Taipei, Taiwan
Tel: 886-2-2225-3733 Fax: 886-2-2225-4800
E-mail: para@para.com.tw <http://www.para.com.tw>

DATA SHEET

PART NO. : PL-IRM1261-C438

REV : A / 4

CUSTOMER'S APPROVAL : _____ DCC : _____

DRAWING NO. : DS-27-04-0053

DATE : 2009-11-24

Page : 1

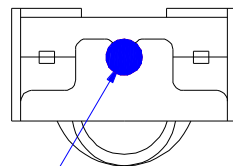
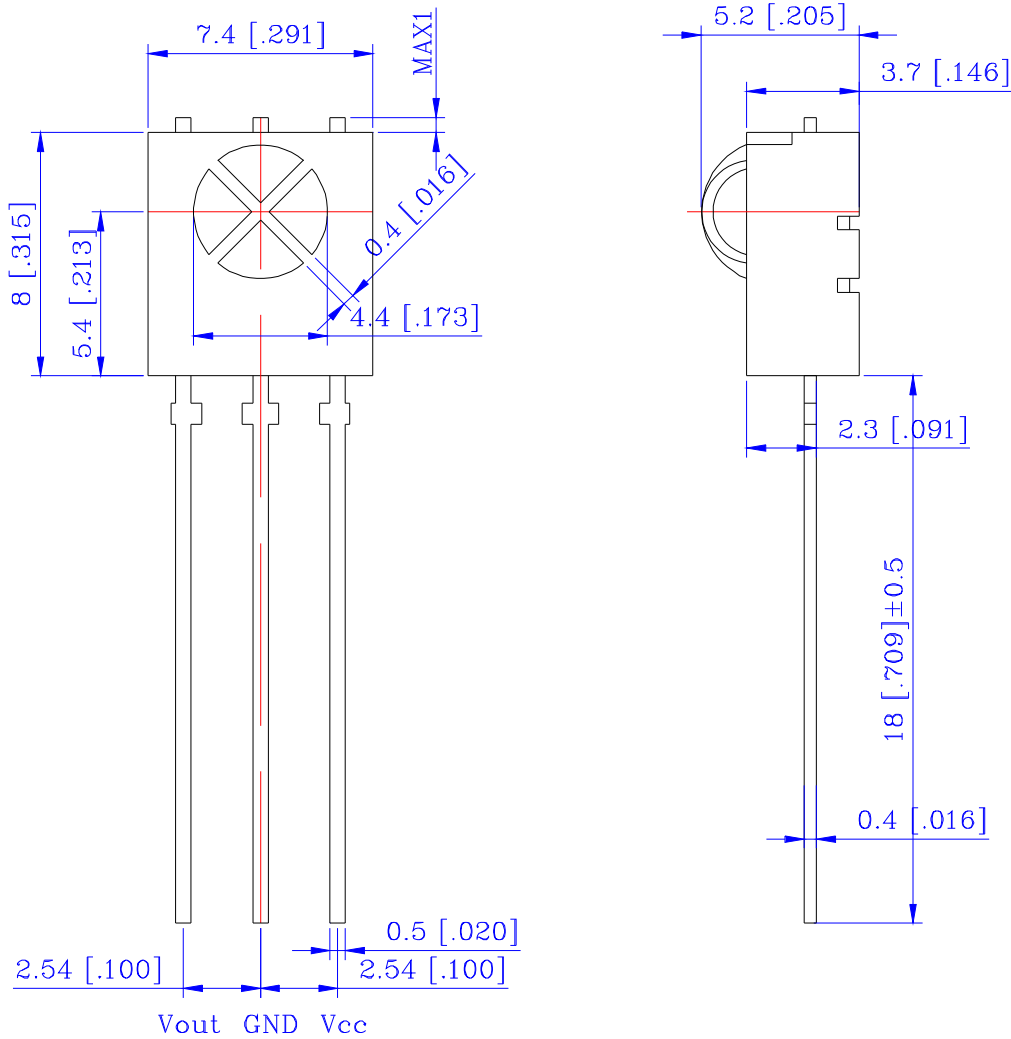


INFRARED REMOTE CONTROL RECEIVER MODULE

PL-IRM1261-C438

REV:A / 4

I PACKAGE DIMENSIONS



HATCH GND(GND SOLDER)

NOTES :

1. All dimensions are in millimeters.
2. Tolerance is $\pm 0.25(0.010)$ unless otherwise specified.



INFRARED REMOTE CONTROL RECEIVER MODULE

PL-IRM1261-C438

REV:A / 4

I FEATURES

- Ū ONE MOLD SMALL PACKAGE
- Ū SHEILDED AGAINST ELECTRICAL FIELD DISTURBANCE

I ABSOLUTE MAXIMUM RATING : (Ta = 25°C)

SYMBOL	PARAMETER	ULTRA CONDITION	UNIT
Vcc	Supply Voltage	5.5	V
Tstg	Storage Temperature Range	-25to 85	°C
Topr	Operating Temperature Range	-25to 85	°C
Tsol	Soldering Temperature	255(MAX 5sec)	°C
Lead soldering temperature { 1.6mm (0.063inch) from body } 250 ± 5°C for 3 seconds.			

I ELECTRO-OPTICAL CHARACTERISTICS : (Ta = 25°C)

SYMBOL	PARAMETER	CONDITION	MIN.	TYP.	MAX.	UNIT
Vcc	Supply Voltage		2.4		5.5	V
Icc	Current Consumption	Input sigal=0			2.5	mA
IP	Peak Emission Wavelength			940		nm
fo	B.P.F Center Frequency			38		KHz
L	Arrival Distance	L-514EIR1C		16		m
		0°		8		m
Voh	H Level Output Voltage	30cm over the axis	2.4			V
Vol	L Level Output Voltage			0.1	0.5	V
Twh	H Level Output Pulse Width	Burst wave=600 μ s	400	600	800	μ s
Twl	L Level Output Pulse Width	Period=1.2ms	400	600	800	μ s
Output Form		Active low output				

Arrival light source: Detecting surface illumination shall be irradiate 200Lux under ordinary white fluorescence lamp without high frequency lightening.



INFRARED REMOTE CONTROL RECEIVERMODULE

PL-IRM1261-C438

REV:A / 4

I SUITABLE DATA FORMAT

DATA FORMAT	IR RECEIVER PL-IRM1261-C438	
	SUITABALE	NOT RECOMMENDED
NEC	@	
RC5	@	
RC6	@	
TOSHIBA MICOM CODE	@	
SHARP CODE	@	
GRUNDIG CODE	@	
SONY 12BIT CODE	@	
SONY 15BIT CODE	@	
SONY 20BIT CODE		@
RCA CODE		@
RCMM CODE		@
MATSUSHITA CODE	@	
MITSUBISHI CODE	@	
ZENITH CODE	@	
JVC CODE	@	
M50560-001P	@	
MN6125H	@	
MN6125L	@	
MN6014_C5D7	@	
MN6014_C6D6	@	
MC14457P	@	
LC7464(AHEA)	@	
GEMINI_CM	@	

NOTE: @:BEST FOR APPLICATION

I DATA SIGNAL LIMITATION

Minimum Burst Length	300us
Minimum Gap Time Between The Bursts	300us
Minimum Data Pause Time Between The Data Commands	20ms

NOTE:There must be a data pause time (longer than 20ms) at least each 100ms or each data command.

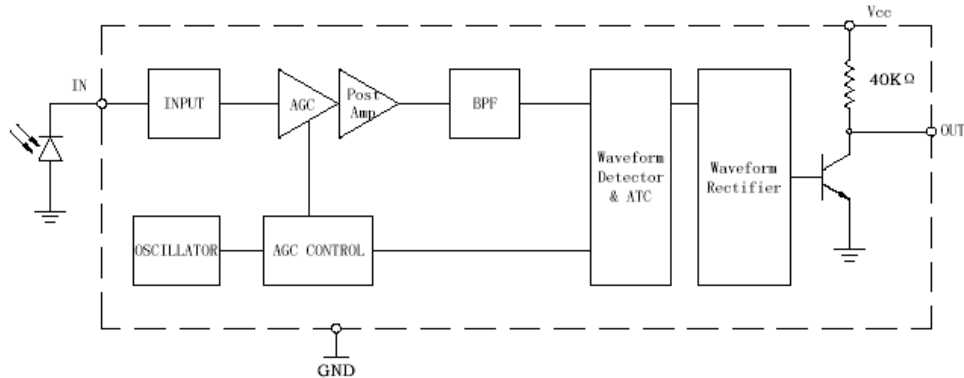


INFRARED REMOTE CONTROL RECEIVER MODULE

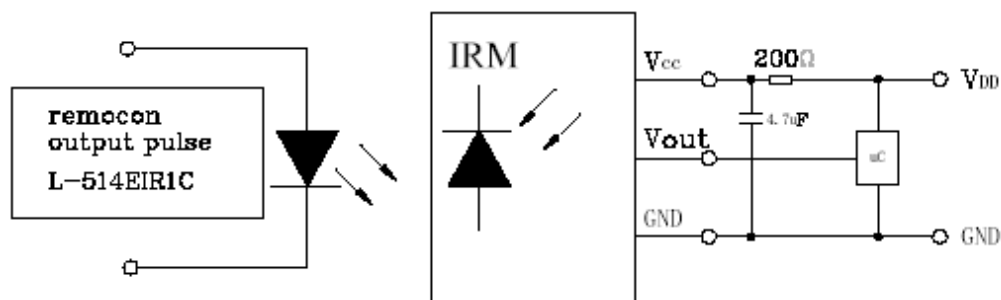
PL-IRM1261-C438

REV:A / 4

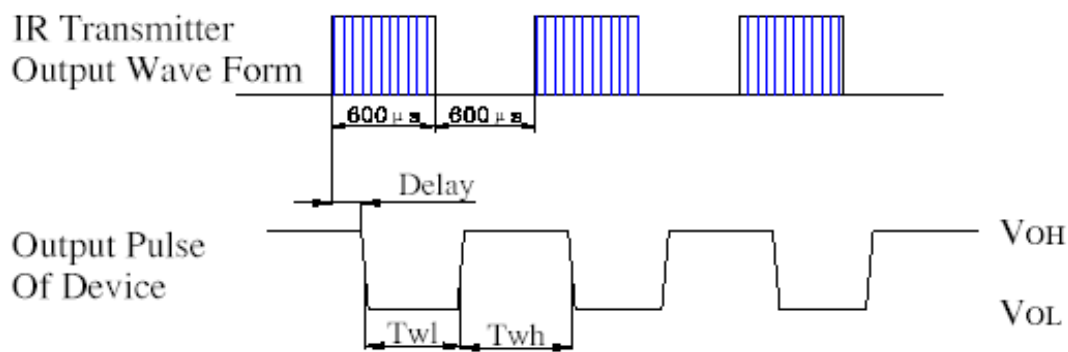
I Block Diagram



I Application Circuit



I Transmit Signal(Carrier Frequency= f_0)



I Test Condition of Arrival Distance

