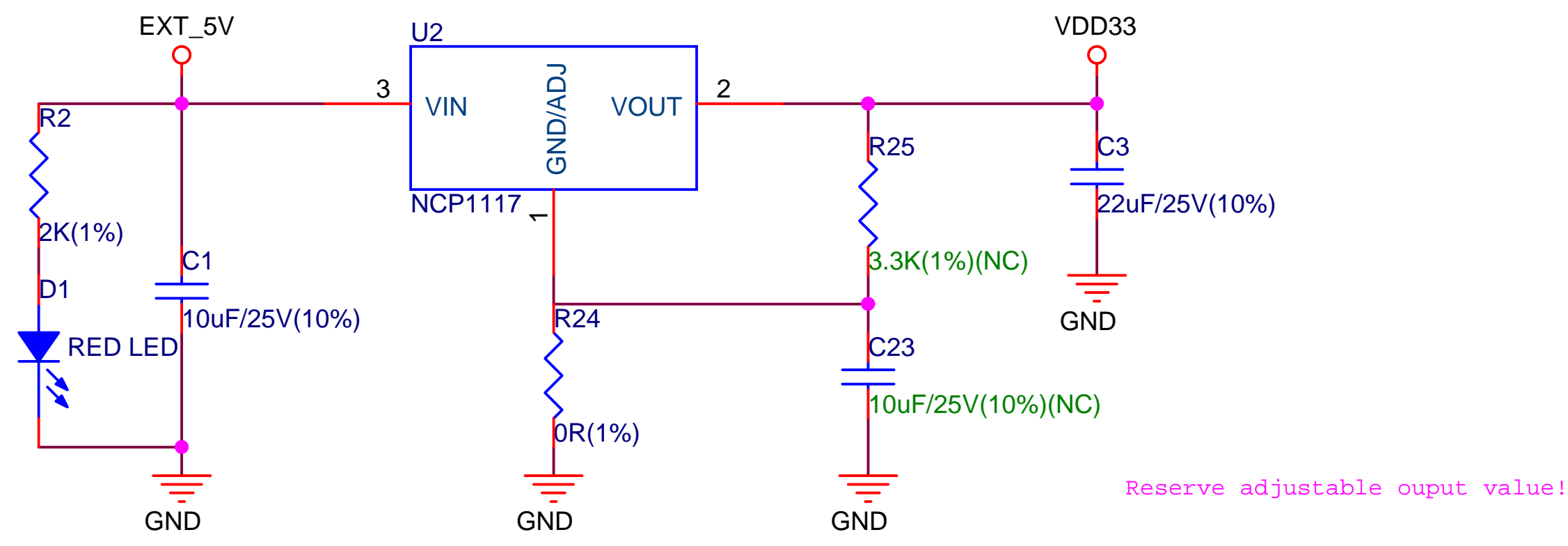
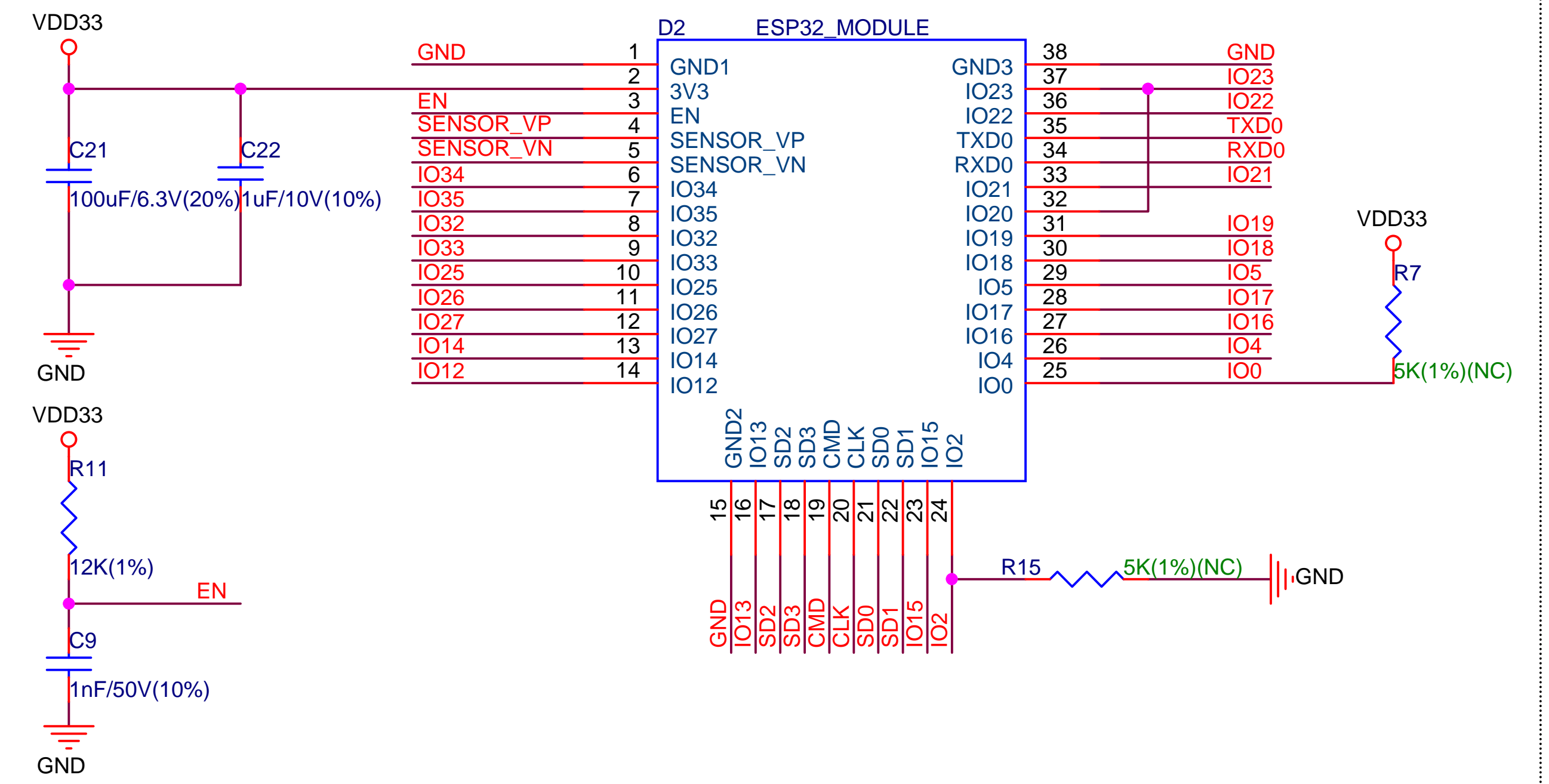


Power Supply

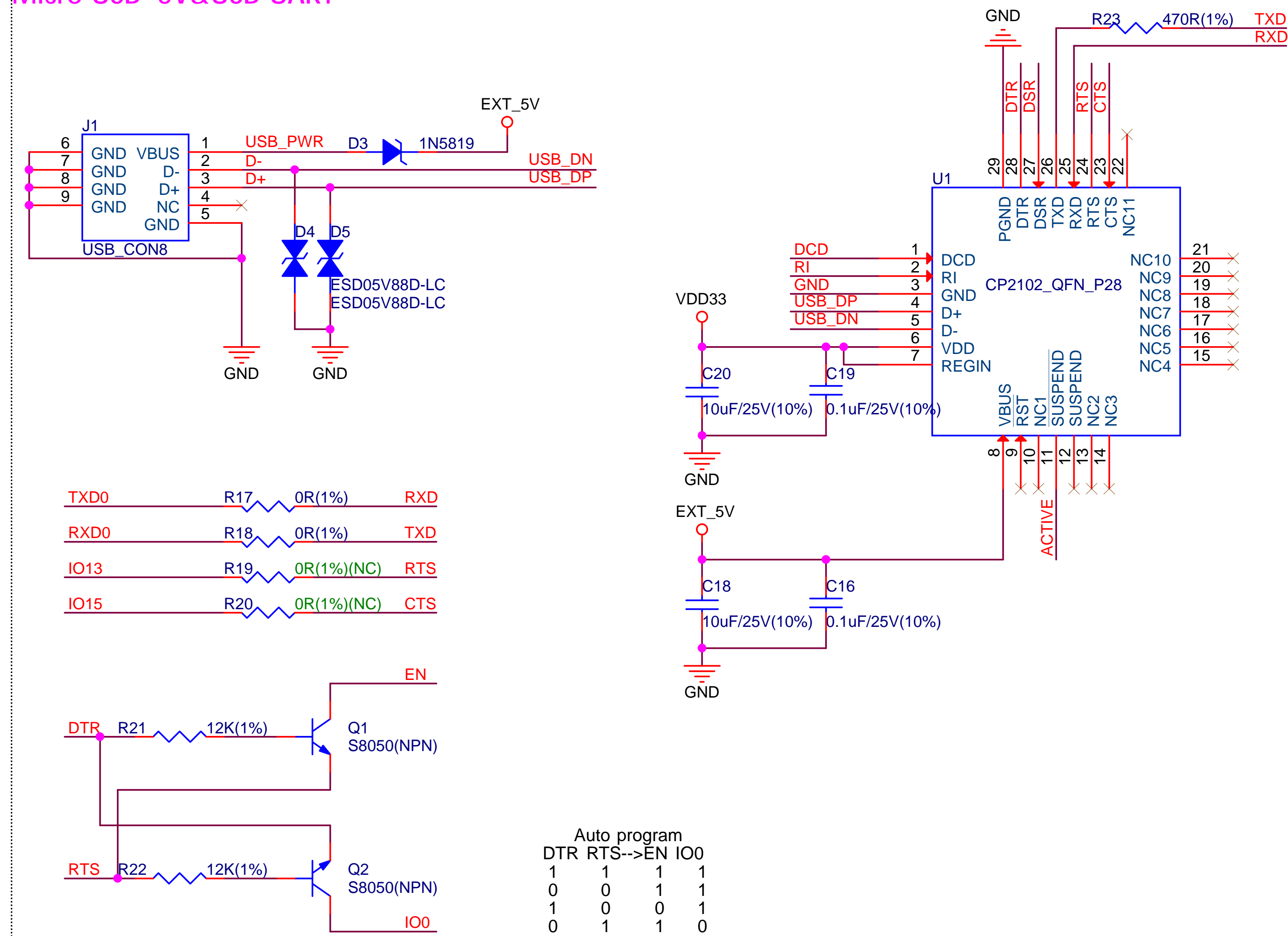


Reserve adjustable output value!

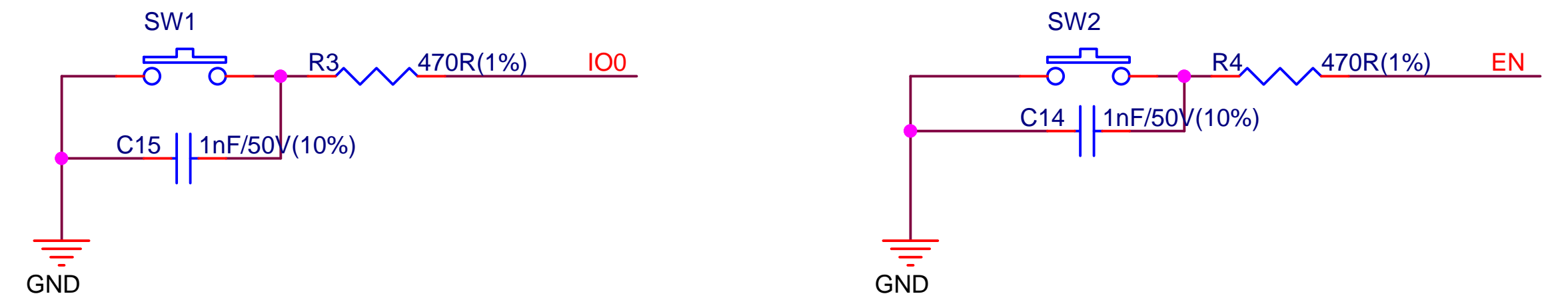
ESP32 Module



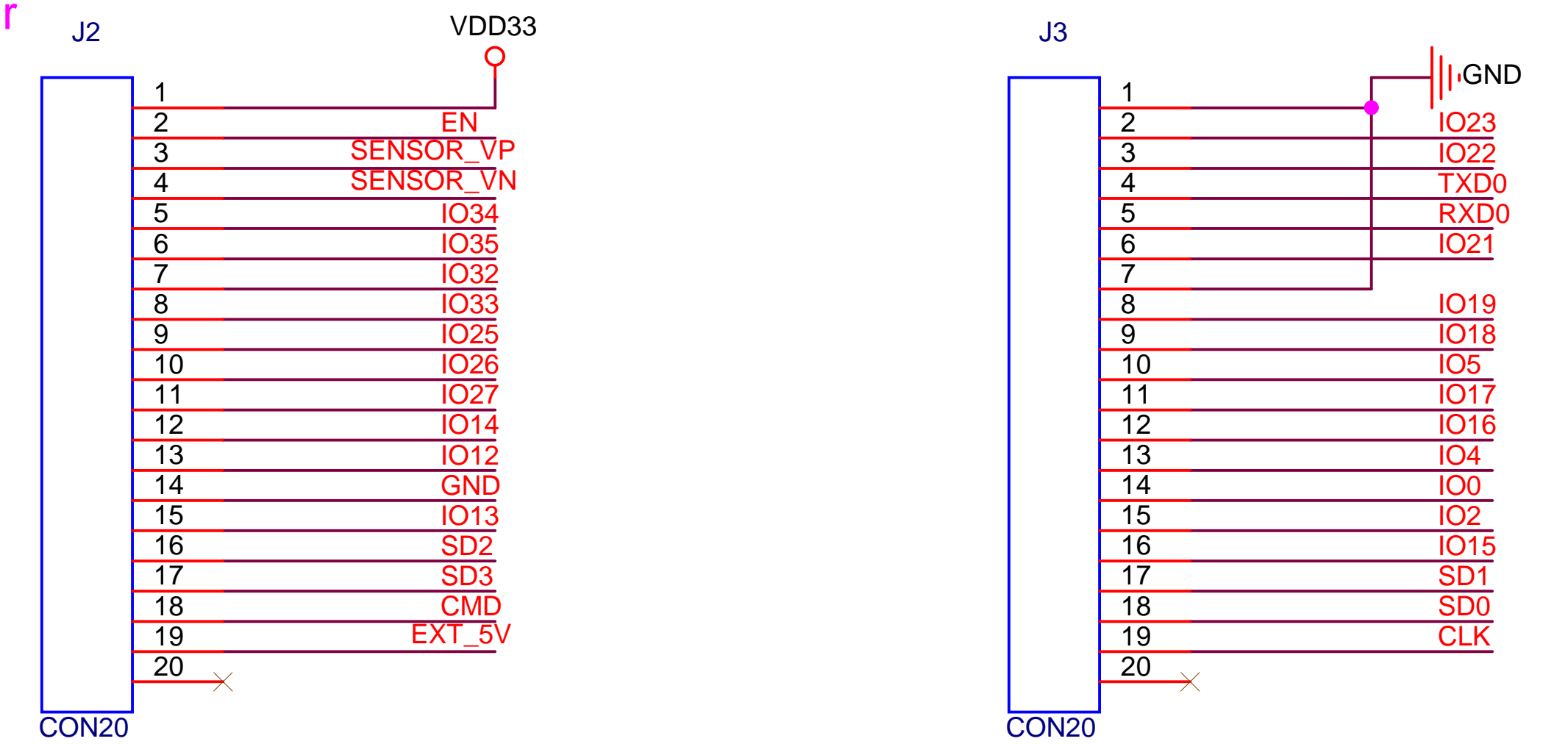
Micro USB 5V&USB-UART



SWITCH BUTTON



Connector



參考資料

Title		
<Title>		
Size	Document Number	Rev
B	<Doc>	<RevCode>
Date:	Wednesday, September 14, 2016	Sheet 1 of 1