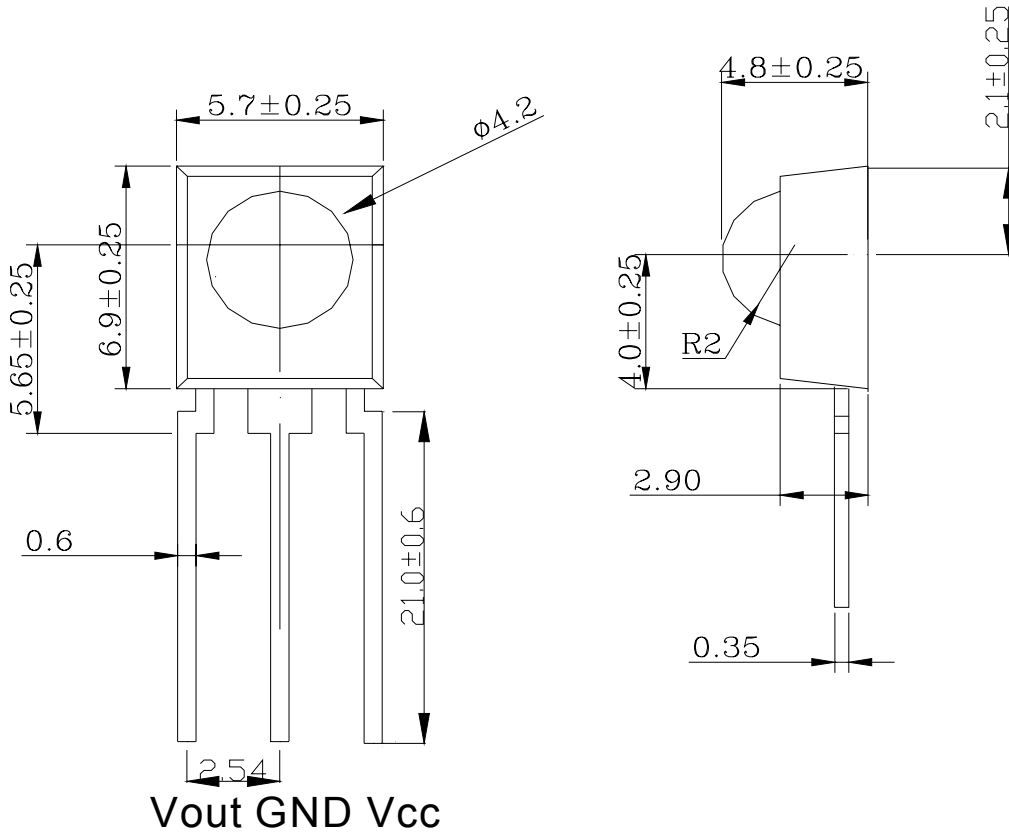


PACKAGEDIMENSIONS



NOTES :

1. All dimensions are in millimeters.
2. Tolerance is  $\pm 0.25(0.010")$  unless otherwise specified.

● FEATURES

- \* ONE MOLD SMALL PACKAGE
- \* SHEILDED AGAINST ELECTRICAL FIELD DISTURBANCE

● ABSOLUTE MAXIMUM RATING : ( Ta = 25°C )

SYMBOL	PARAMETER	CONDITION	UNIT
Vcc	Supply Voltage	5.5	V
Tstg	Storage Temperature Range	-25to 85	°C
Topr	Operating Temperature Range	-25to 85	°C
Tsol	Soldering Temperature	255(MAX 5sec)	°C
Lead soldering temperature { 1.6mm (0.063inch) from body } 250±5°C for 3 seconds.			

	INFRARED REMOTE CONTROL RECEIVER MODULE
PL-IRM2161-XD1	REV:A / 1

● ELECTRO-OPTICAL CHARACTERISTICS : ( Ta = 25°C )

SYMBOL	PARAMETER	CONDITION		MIN.	TYP.	MAX.	UNIT
Vcc	Supply Voltage			2.4		5.0	V
Icc	Current Consumption	Input signal=0				2.5	mA
$\lambda P$	Peak Emission Wavelength				940		nm
fo	B.P.F Center Frequency				38		KHz
L	Arrival Distance	L-514EIR1C	0°		16		m
			±45°		8		m
Voh	H Level Output Voltage	30cm over the axis		2.4			V
Vol	L Level Output Voltage				0.1	0.5	V
Twh	H Level Output Pulse Width	Burst wave=600 $\mu$ s		400		800	$\mu$ s
Twl	L Level Output Pulse Width	Period=1.2ms		400	600	800	$\mu$ s
Output Form		Active low output					

Arrival light source: Detecting surface illumination shall be irradiate 200Lux under ordinary white fluorescence lamp without high frequency lightening.

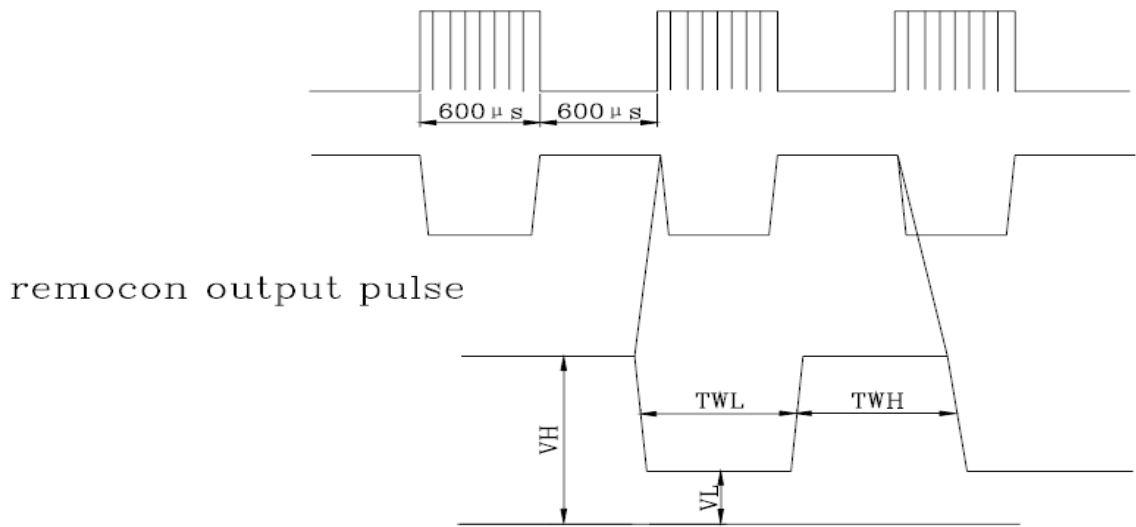
● MEASURE METHOD

Output pulse width

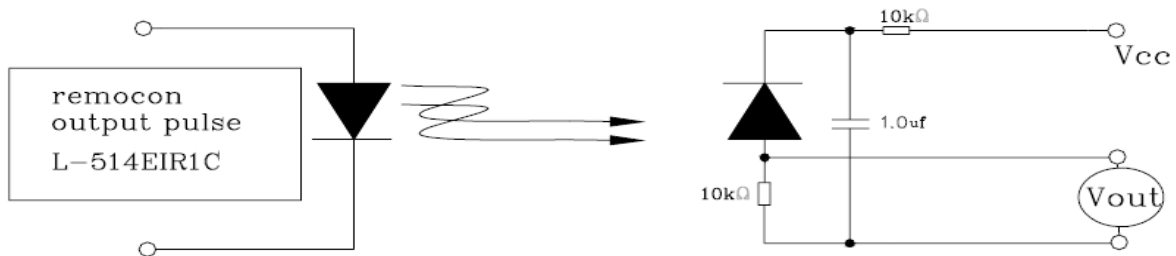
Transmitter out carrier frequency( $f_0$ )duty 50%

Output pulse width

Transmitter out carrier frequency( $f_0$ )duty 50%



remocon output pulse



Test Condition of Arrival Distance

