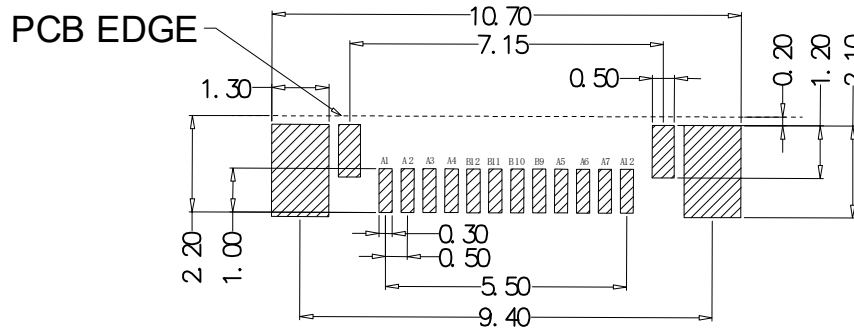
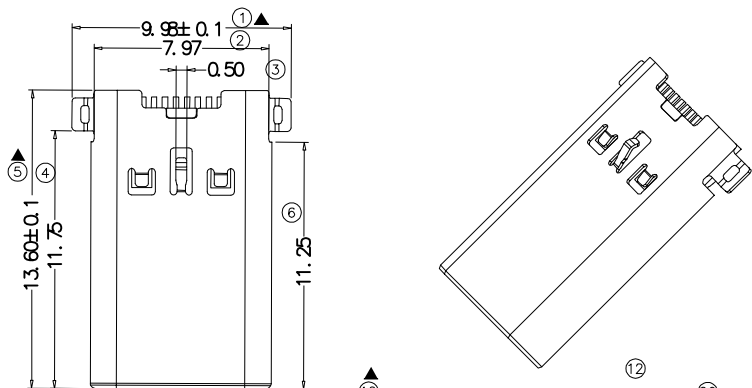


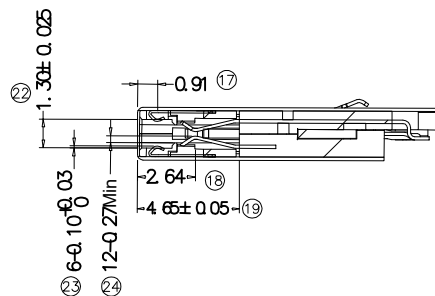
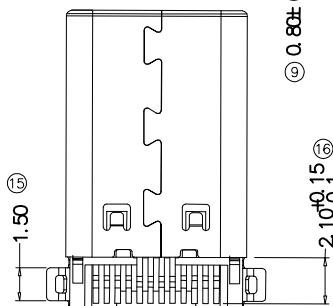
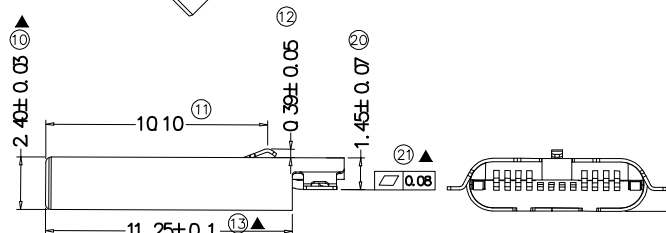
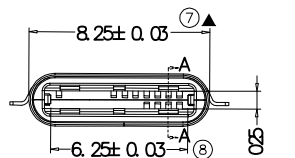
RoHS

客户图

MAPX	MODIFICATION	DATE
A0	NEW	09-10-20



PCB LAYOUT (SCALE 2/1)



NOTES:

1.MATERIAL:SEE NOTES 1

2.FINISH:

2.1 CONTACT: GOLD PLATING ON CONTACT AREA, MATTE TIN PLATING ON SOLDER TAIL AREA, NICKEL UNDER PLATING.

2.2 SHELL: SOLDERABILITY NICKEL PLATING OVER ALL

SPEC:

Insertion Force Within the range from 5 N to 20 N

Extraction Force Within the range 8 N to 20 N, from 1 to 1,000 cycles and Within the range 6 N to 20 N, from 1,000 to 10,000 cycles

3.标"▲"为重点管控尺寸

06	TYPE-C 12P N EM 弹片	SUS304-H	2PCS	产品表面清洗	
05	TYPE-C 12P N SMT 外壳	SUS304-3/4H	1PCS	产品表面镀可焊镍50U"以上	
04	TYPE-C 12P N SMT 卡扣	SUS304-H	1PCS	产品表面镀可焊镍50U"以上	
03	TYPE-C 12P N EM 主体	LCP, EM 弹片	1SET	本色	
02	TYPE-C 12P N SMT 4P 主体	LCP, 4P N 端子	1SET	LCP 本色, 端子打镍底50U"以上, 后端镀锡120U"以上, 前端选择性镀金 G/F	
01	TYPE-C 12P N SMT 8P N 主体	LCP, 8P N 端子	1SET		
NO	PART NAME	MATER AL	Q TY	PLATING/COLOR	P.N

产品图 PRODUCT CHART DWG		深圳市鑫风雷电子有限公司					
公差一览表 TOLERANCE UNLESS OTHERWISE		单位 UNITS	MM	制图 DRAWING	王冠	产品料号 PRODUCT PART NO.	00402-UCAM001-X
X.	±0.30	X'	±5'	比例 SCALE	审核 CHKD	产品名称 PRODUCT NO.	TYPE C公头12P SMT
.X	±0.25	.X'	±2'				
.XX	±0.30	.XX'	±1'	日期 DATE	核准 APPD	角法 VIEW	版本 VER
.XXX	±0.15	.XXX'	±0.5'				
		2009/10/20		雷永健			A0