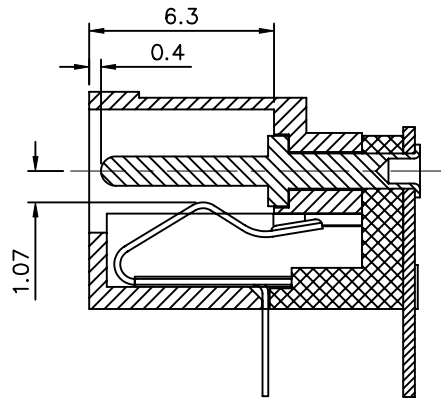
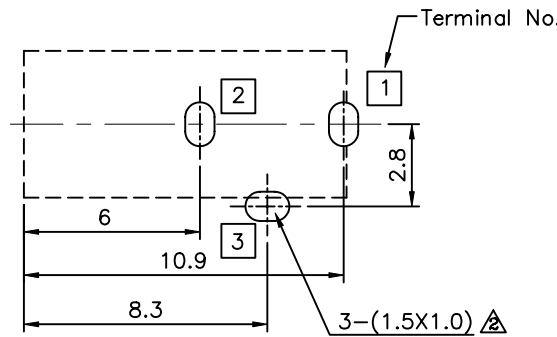


SPECIFICATION

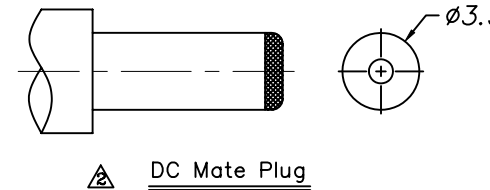
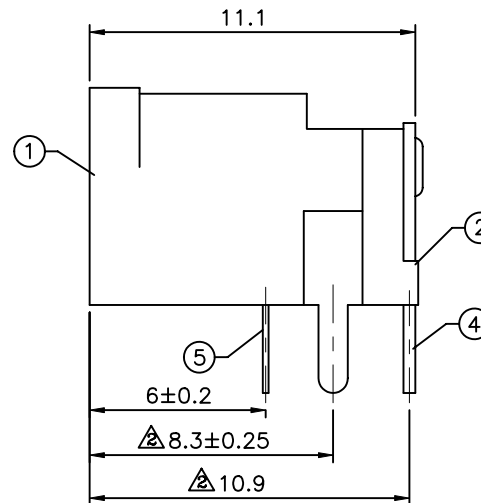
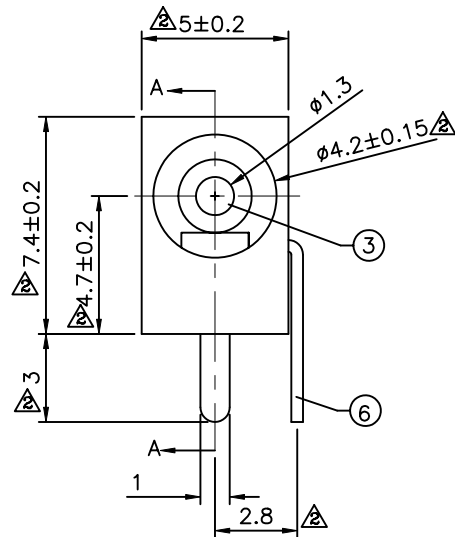
- Rating: DC 30V, 1.0A
- Contact Resistance: 50 Milliohms Max.
- Insulation Resistance: 100 Megaohms Min. (DC 250V)
- Withstand Voltage: 500V AC
- Insertion And Extraction Force: 3~30N
- Life Test: 5000 Cycles
- RoHS Compliant



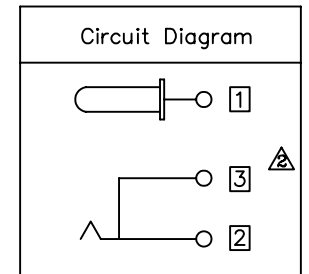
Section A-A



P.C.B Layout (Top View)



DC Mate Plug



No.	Description	Q'ty	Material	Finish
1	Housing	1	PBT	Black
2	Cover	1	PBT	
3	Center Pin	1	Brass	Ni-Plating
4	Center Pin Terminal	1	Brass	Ag-Plating
5	Tip Spring	1	Stainless Steel	Ag-Plating
6	Shunt Terminal	1	Brass	Ag-Plating

4UCON 元化興業股份有限公司
4UCON TECHNOLOGY INC.

DRAWING No.

05536

APPROVED BY

MEI

CHECKED BY

HZF

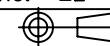
DRAWING BY

XYH

UNLESS OTHERWISE SPECIFIED TOLERANCES ARE

X. ±0.3
.X ±0.3
ANG. ±2°

UNIT mm



SCALE

NONE

REV.

A2

NO.	REV.	REVISIONS	CHK	DATE
△A2		Modify Data	HZF	07/28/2009
△A1		Modify P/N	HZF	12/25/2008
△A0		NEW RELEASE	BECKY	07/01/2005