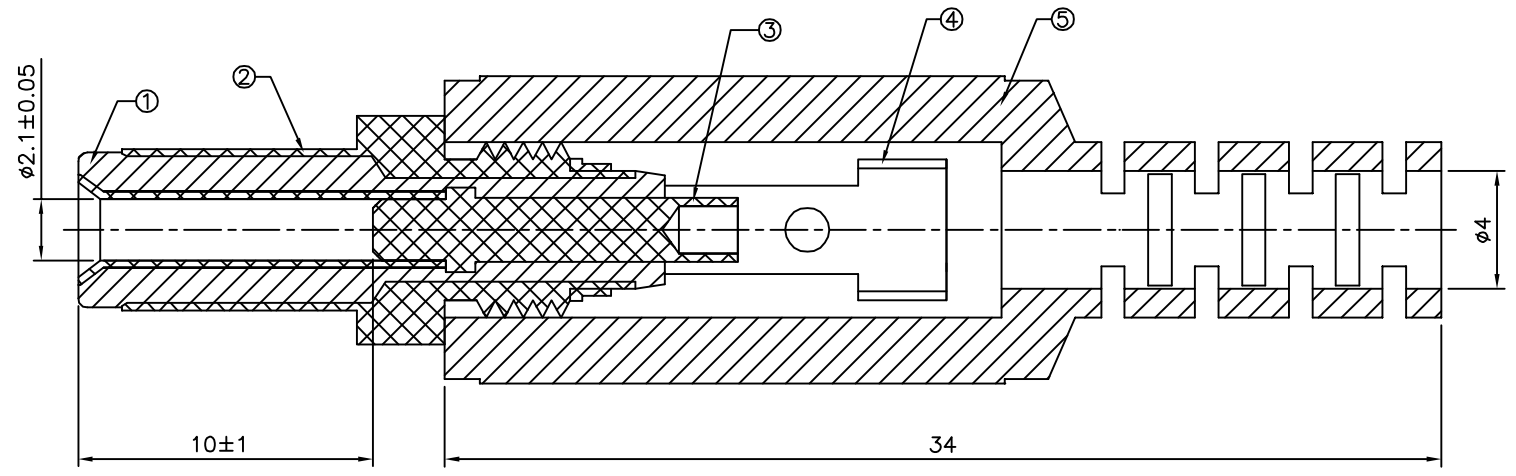
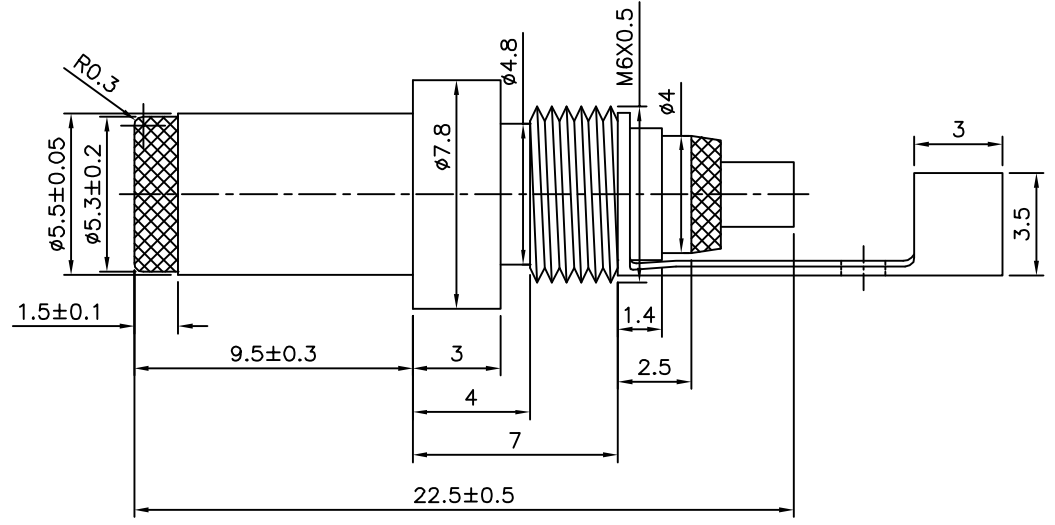


△ SPECIFICATION
 Current Rating:5.0 Amp
 Voltage Rating:24V DC
 Withstand Voltage:500V AC/Minute
 Contact Resistance:30 Milliohms Max.
 Or Less Between Plug And Jack
 Insulation Resistance:100 Megaohms Min. At 500V DC
 Operation Temperature:-25°C~+70°C
 ① Material:POM,Black
 ② Material:Brass,Nickel Plated
 ③ Material:Brass,Nickel Plated
 ④ Material:Brass,Nickel Plated
 ⑤ Material:TPR,Black
 RoHS Compliant



4UCON 元化興業股份有限公司
 4UCON TECHNOLOGY INC.

DRAWING No.		APPROVED BY		UNLESS OTHERWISE SPECIFIED TOLERANCES ARE
20400		MEI		
		HZF		
		DRAWING BY		25.0 > ±0.5
		YBL		12.0 > 25.0 ±0.4
				6.0 > 12.0 ±0.3
				1.0 > 6.0 ±0.2
				0 > 1.0 ±0.1
SCALE	NONE	REV.	B1	UNIT
				mm

NO.	REV.	REVISIONS	CHK	DATE
△ B1		Modify Data	HZF	09/17/2013
△ B0		NEW RELEASE	HZF	07/21/2013