

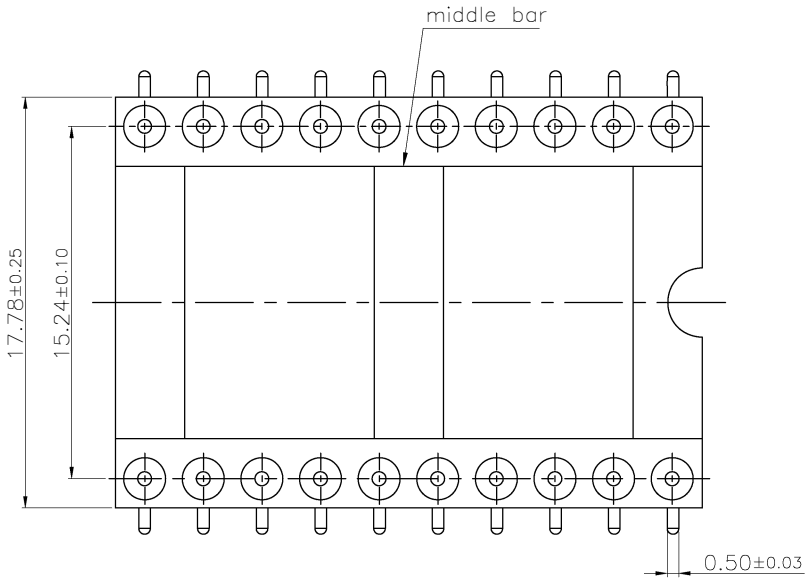
1

2

3

4

5



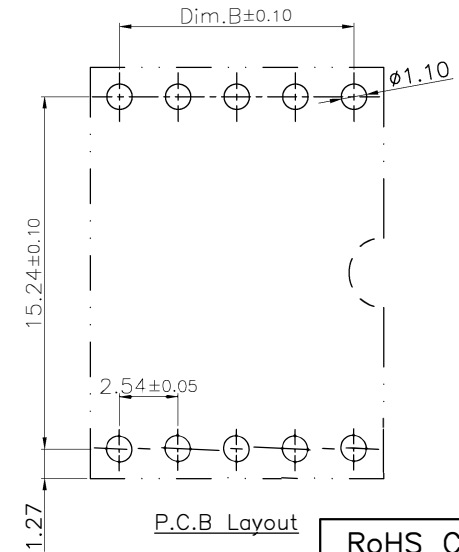
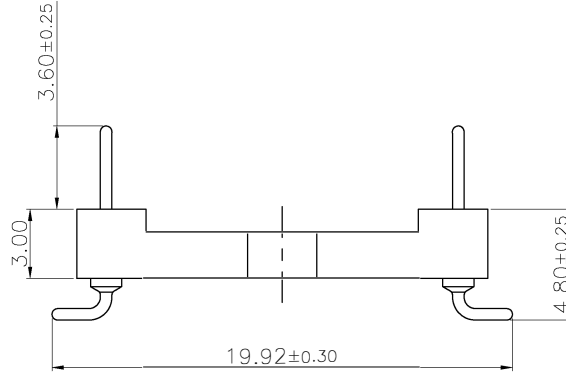
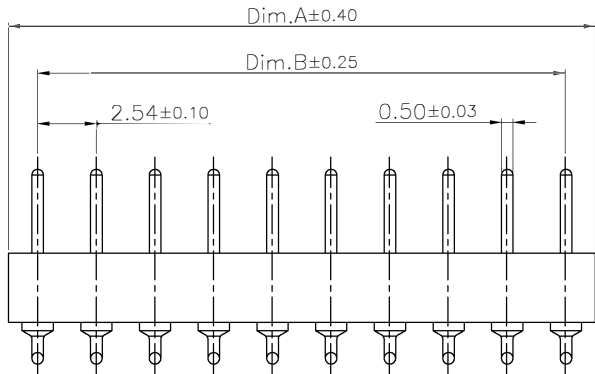
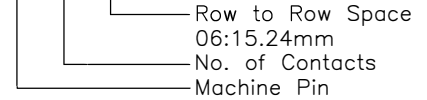
Dimension Information:

Pin.No	Dim.A	Dim.B	Middle bar
24	30.48	27.94	none middle bar is standard
28	35.56	33.02	bar is standard
32	40.64	38.10	
36	45.72	43.18	
40	50.80	48.26	with middle bar is standard
42	53.34	50.80	
48	60.96	58.42	

Specifications:
 Current Rating: 3.0A AC,DC
 Voltage Rating: 150V AC,DC
 Contact Resistance: 10m ohm.Max
 Insulation Resistance: 5000M ohm.Min
 Withstanding Voltage: 500V AC/Minute
 Operating Temperature Range: -55°C ~ +105°C

Material:
 Insulator: PPS(UL94V-0)
 Insulator Color: Black
 Termind: Brass
 Plated: Gold Plated

How To Order
 2227MC-XX-06-150



P.C.B Layout

RoHS Compliant

F			
E			
D			
C			
B			
A	14-MAY-2014		SELIN
REV	DATE	FILE	BY

DRAWN: SELIN
 CHECKED: JERRY
 APPROVAL: RORY

GENERAL TOLERANCE:
 .X=±0.35
 .XX=±0.25

UNIT: MM
 SCALE: 1:1
 SHEET: 1/1
 PROJECTION:



DESCRIPTION:
 2.54mm IC Socket Machine Pin SMD Type

PART NO:
 2227MC-XX-06-150

SIZE
A4