

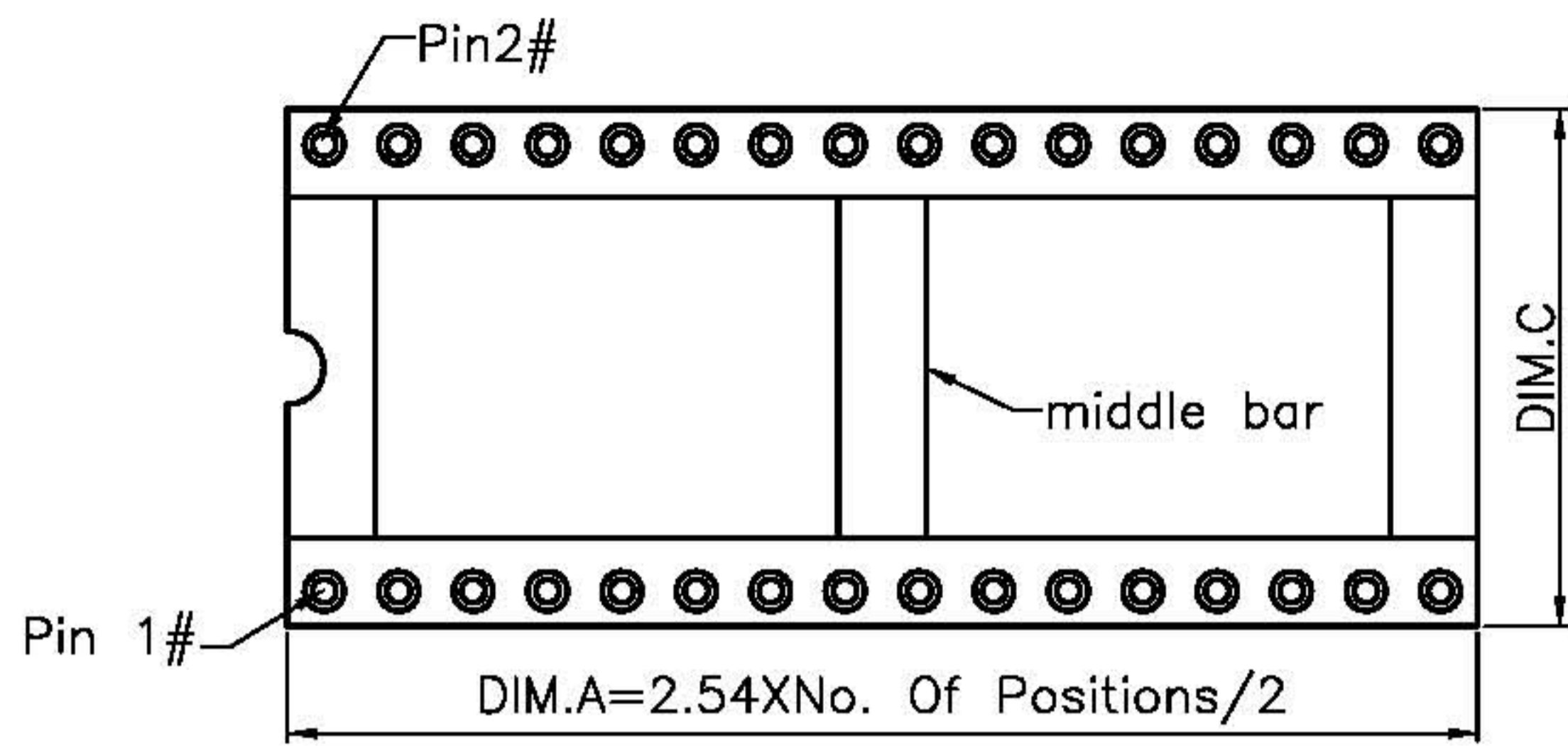
1

2

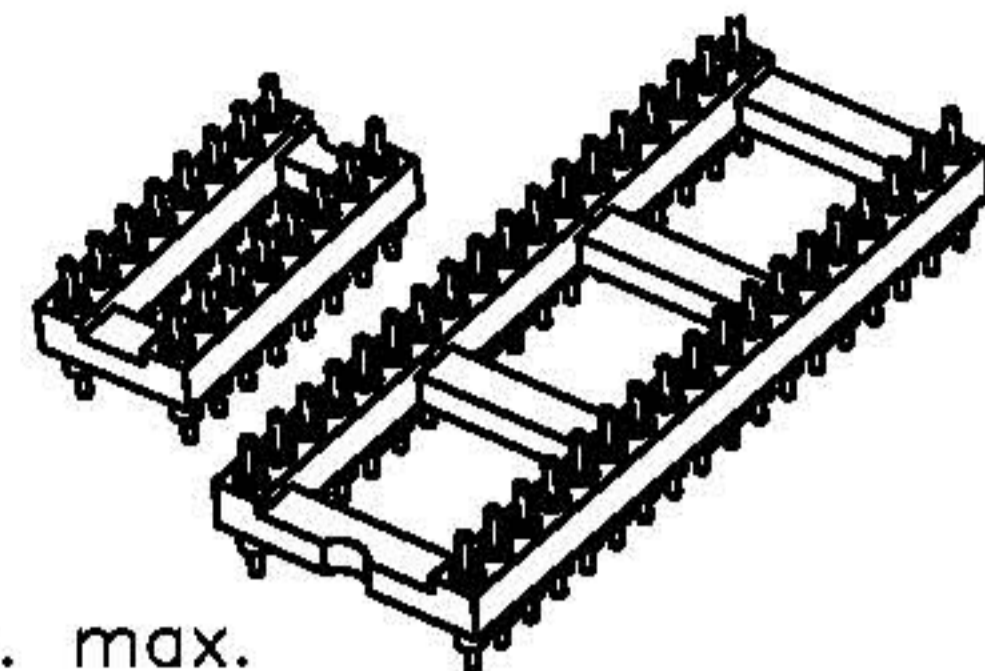
3

4

5



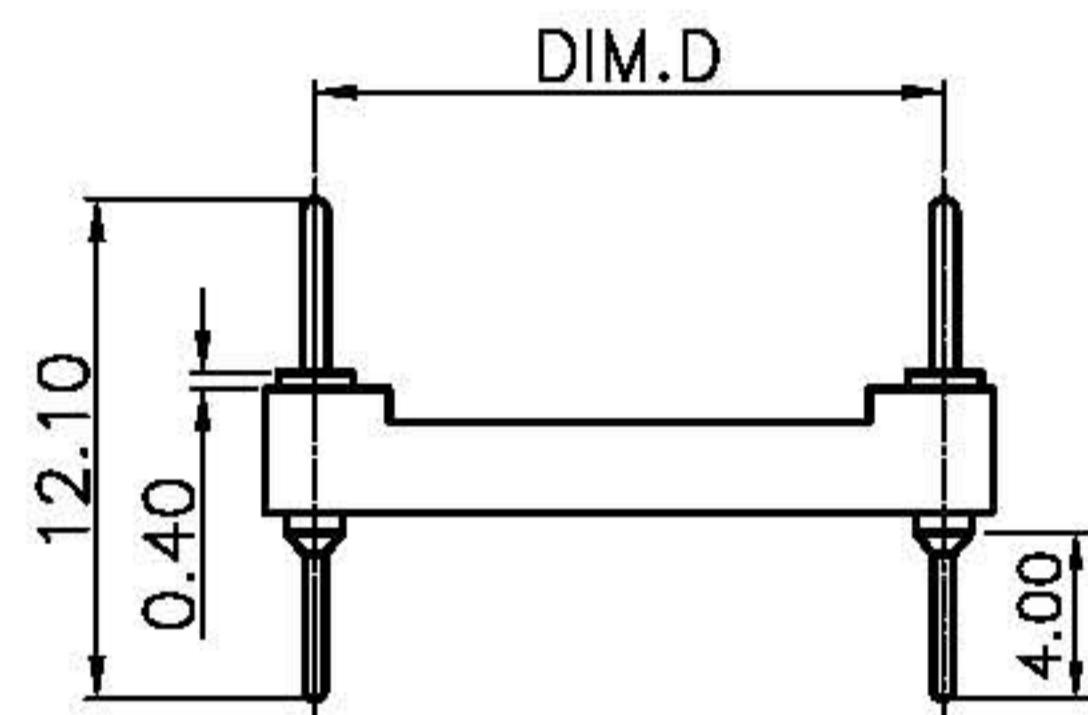
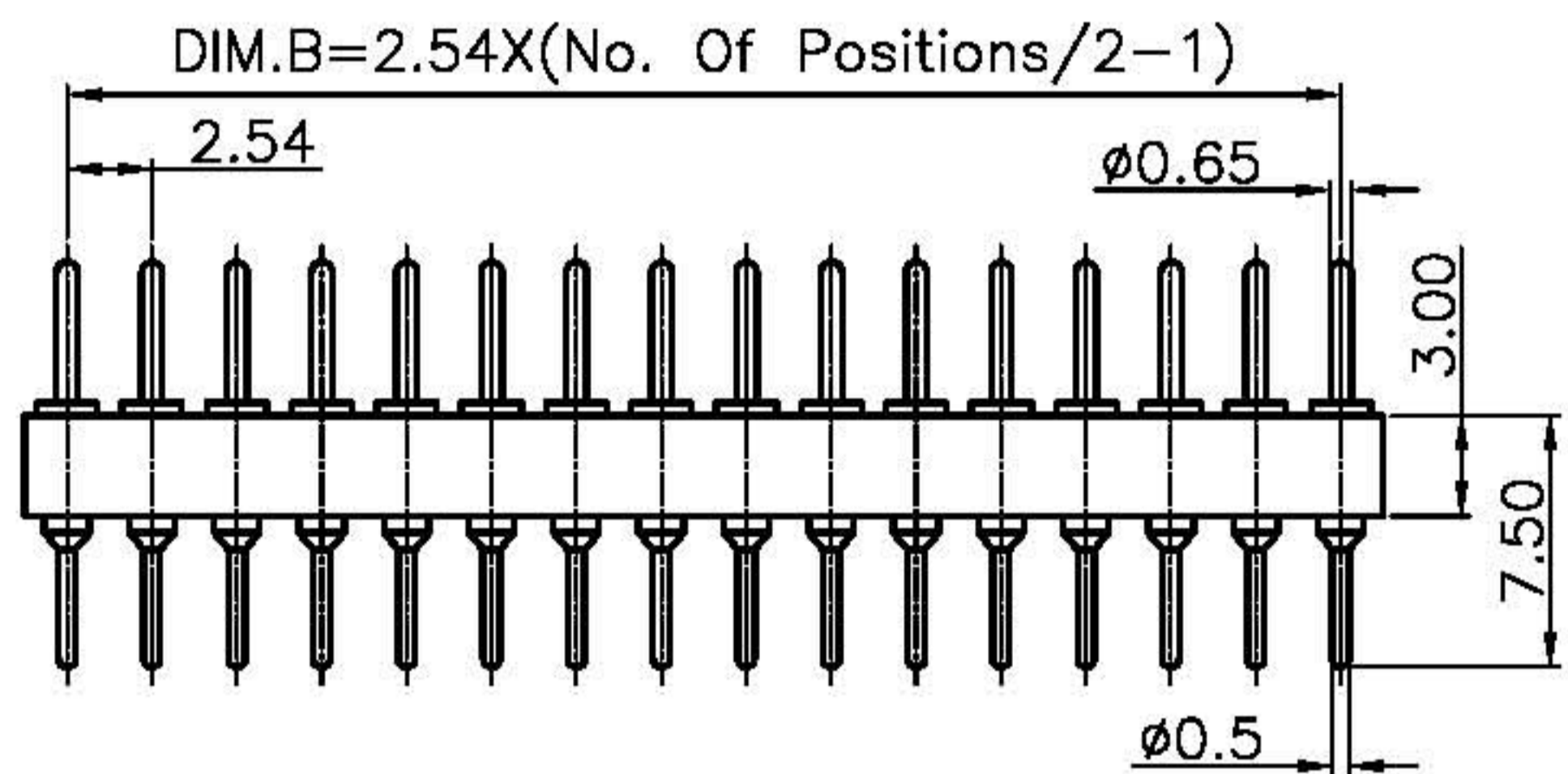
參考資料



Specifications:
 Current rating:1.0A AC/DC
 Voltage rating:100V AC/DC
 Contact resistance:15m ohm. max.
 Insulator resistance:5000M ohm. Min.
 Withstanding voltage:1000V AC for one minute
 Operating temperature range:-40°C to +105°C
 Material and Finish:
 Insulator:PBT (UL94V-0)
 Standard Color:Black
 Contact:Copper Alloy
 Finish:Gold Or Tin Plated

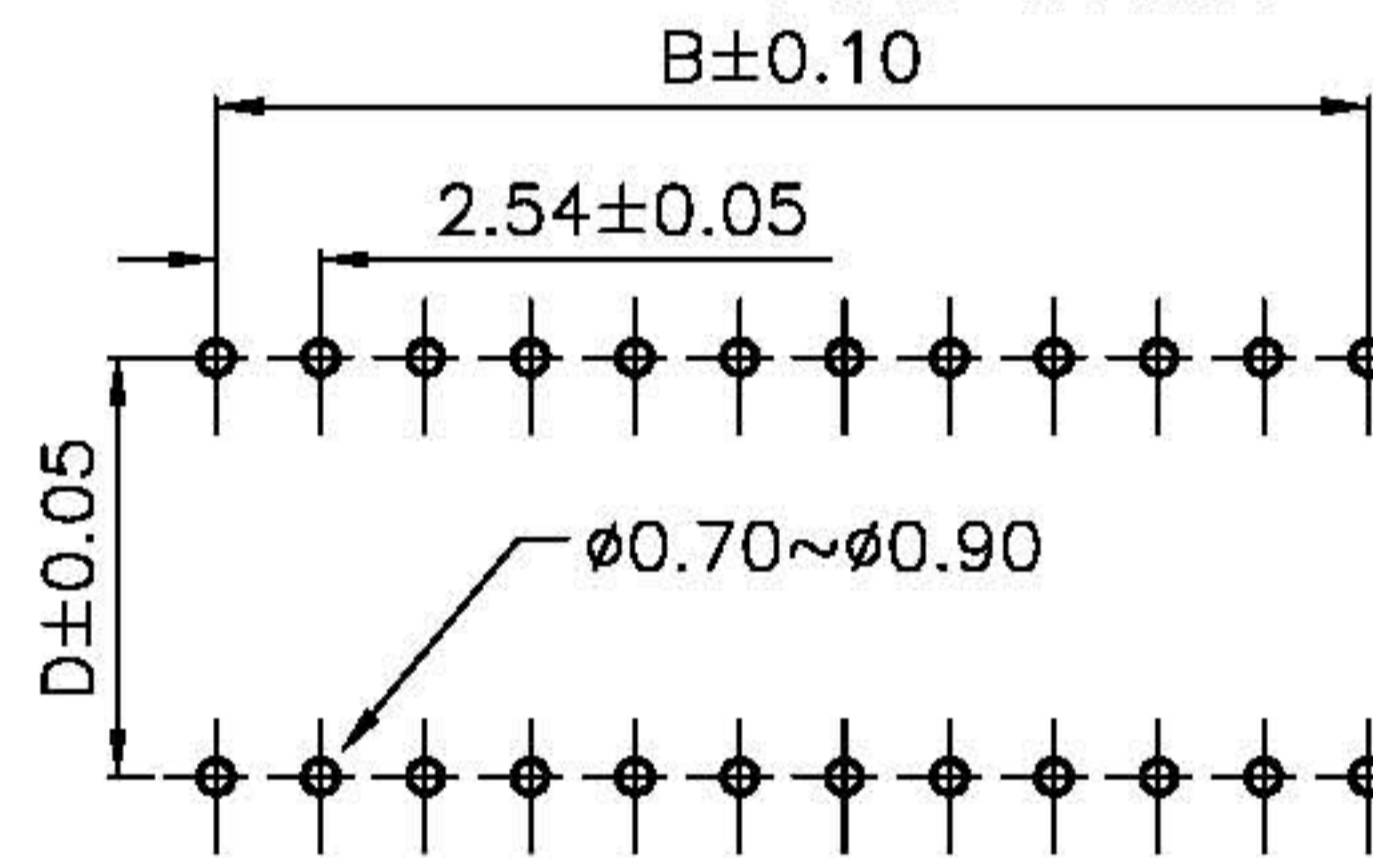
How To Order
 2227P-XXX-XX

- 03: Space:7.62mm
- 04: Space:10.16mm
- 06: Space:15.24mm
- 09: Space:22.86mm
- G:Gold Plated
- T: Tin Plated
- No. Of Positions
- P:Pin Header



Note1: W/O middle bar(6~16P)
 With middle bar(18~64P)

Circuits	DIM.A	DIM.B	DIM.C	DIM.D	Space	Circuits	DIM.A	DIM.B	DIM.C	DIM.D	Space
6	7.62	5.08	10.16	7.62	03	22	27.94	25.40	12.70	10.16	04
8	10.16	7.62	10.16	7.62		24	30.48	27.94	17.78	15.24	
14	17.78	15.24	10.16	7.62		28	35.56	33.02	17.78	15.24	
16	20.32	17.78	10.16	7.62		32	40.64	38.10	17.78	15.24	
18	22.86	20.32	10.16	7.62		40	50.80	48.26	17.78	15.24	
20	25.40	22.86	10.16	7.62		42	53.34	50.80	17.78	15.24	
24	30.48	27.94	10.16	7.62		48	60.96	58.42	17.78	15.24	
28	35.56	33.02	10.16	7.62		64	81.28	78.74	26.00	22.86	



PCB LAYOUT

RoHS Compliant

F				DRAWN:	GENERAL TOLERANCE: .X=±0.20 .XX=±0.15
E					
D					
C				CHECKED:	UNIT: MM
B					
A	14-Sep-2005	(PC0001)	Cel King	APPROVAL:	DESCRIPTION: 2.54mm Machine Pin Header
REV	DATE	FILE	BY		

SCALE: 1:1	DESCRIPTION: 2.54mm Machine Pin Header	SIZE A4
PROJECTION:		

DESCRIPTION: 2.54mm Machine Pin Header	SIZE A4
PART NO: 2227P-XXX-XX	