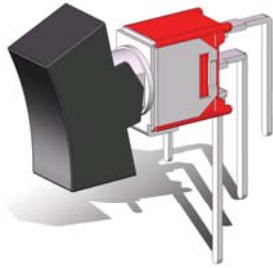


4M Series

Sub-Miniature Rocker Switches



SPECIFICATIONS

CONTACT RATING: Dependent upon contact material .

MECHANICAL LIFE: 30,000 make-and-break cycles.

CONTACT RESISTANCE: 20mΩ max. initial @ 2-4VDC
100mA for both silver and gold plated contacts.

INSULATION RESISTANCE: 1,000MΩ min.

DIELECTRIC STRENGTH: 1,000 V RMS@sea level.

OPERATING TEMPERATURE: -30°C to 85°C.

MATERIALS

CASE - Diallyl phthalate (DAP)(UL94V-0).

ACTUATOR - Nylon,black std.

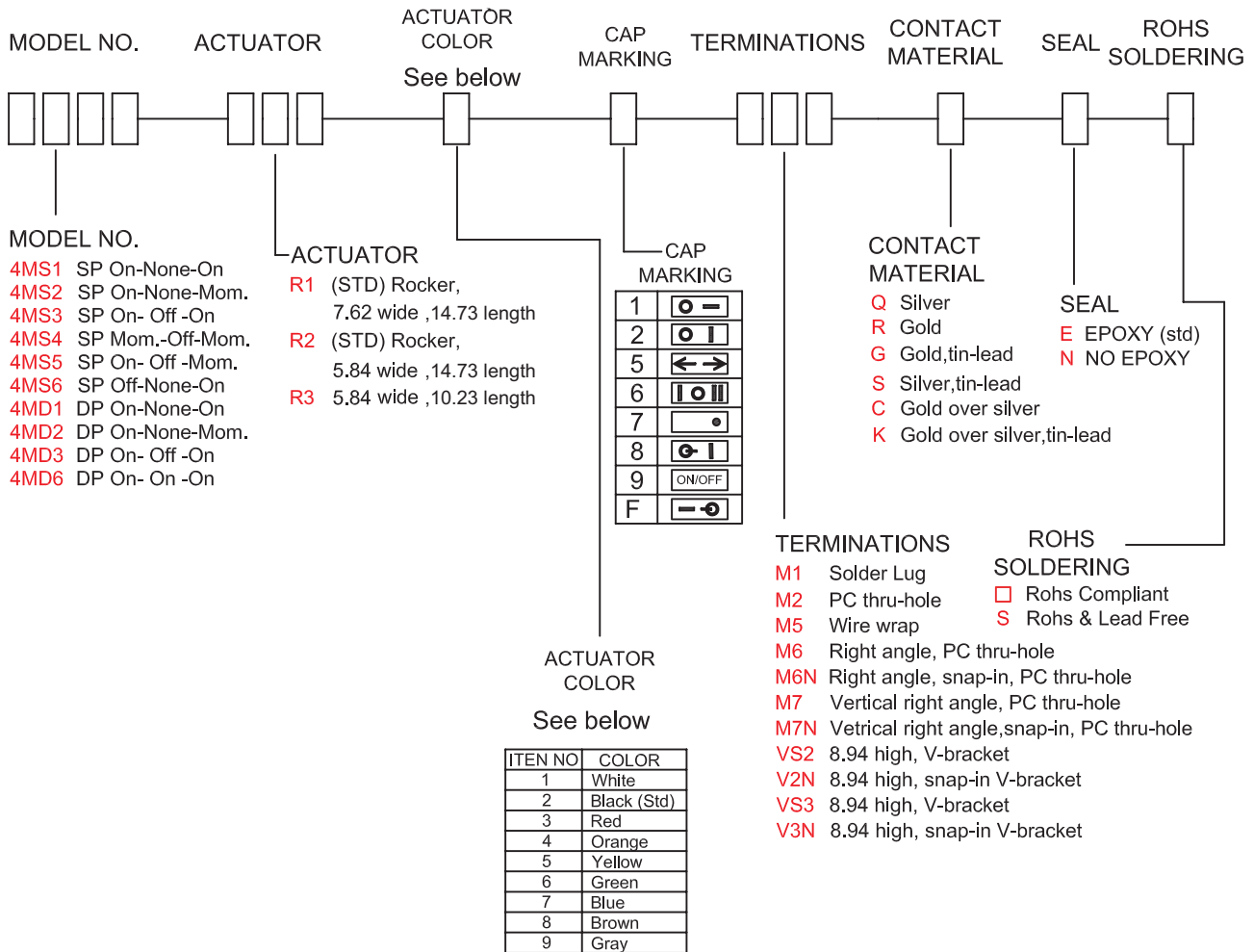
BUSHING - Brass,nickel plated.

HOUSING - Stainless Steel.

SWITCH SUPPORT - Brass,tin plated.

TERMINAL/CONTACT - Silver or gold. (See Page 73)

HOW TO ORDER



Sub-Miniature Rocker Switches

4M

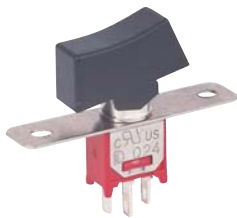
SWITCH FUNCTION

NO. POLES	UL/CSA MODEL NO.	MODEL NO.	SWITCH FUNCTION			CONNECTED TERMINALS / SCHEMATIC		
			POS.1	POS.2	POS.3	POS.1	POS.2	POS.3
SP	Q2411	4MS1	ON	NONE	ON	2-3	N/A	2-1
	Q2412	4MS2	ON	NONE	MOM			
	Q2413	4MS3	ON	OFF	ON		OPEN	
	Q2414	4MS4	MOM	OFF	MOM			
	Q2415	4MS5	ON	OFF	MOM	OPEN	N/A	3-1
	Q2416	4MS6	OFF	NONE	ON			
DP	Q2421	4MD1	ON	NONE	ON	2-3,5-6	N/A	2-1,5-4
	Q2422	4MD2	ON	NONE	MOM			
	Q2423	4MD3	ON	OFF	ON		OPEN	
	Q2426	4MD6	ON	ON	ON			

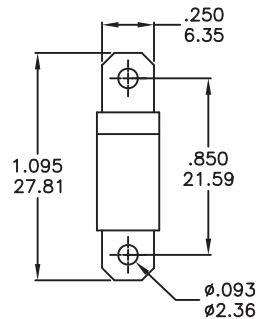
MOM=MOMENTARY

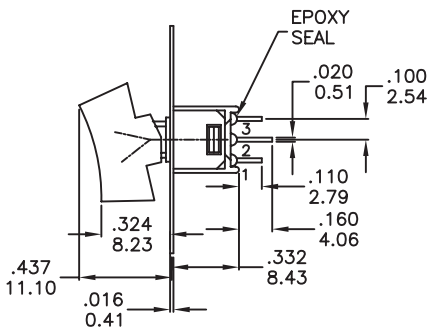
▲ Please check the availability in advance before order

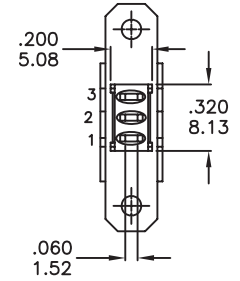
POLE OPTIONS



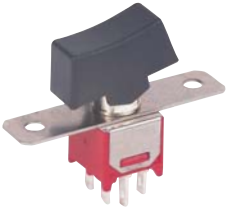
SPDT



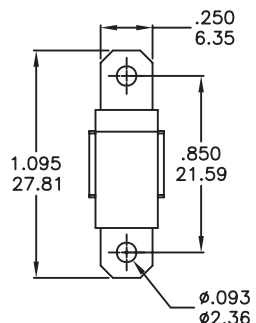


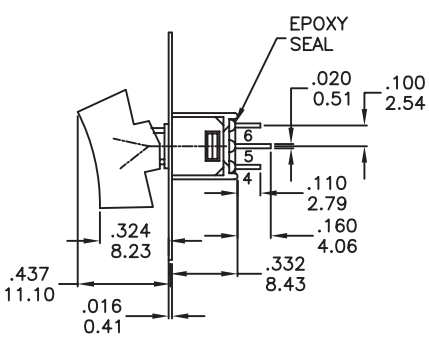


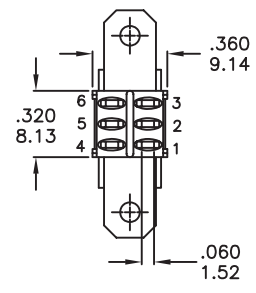
Part No. Shown : 4MS1R12M1QE



DPDT

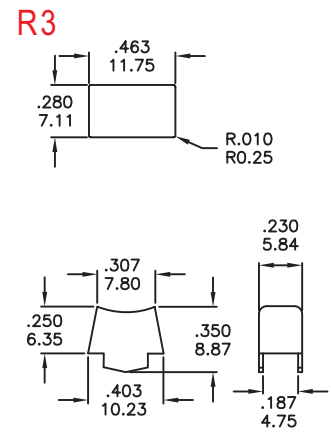
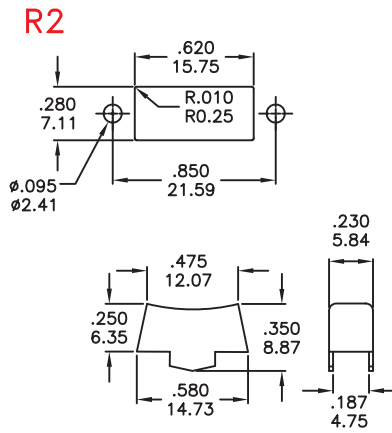
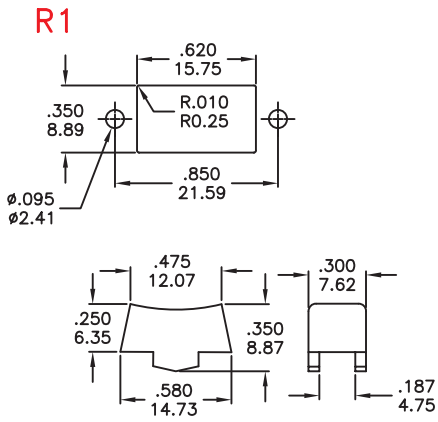




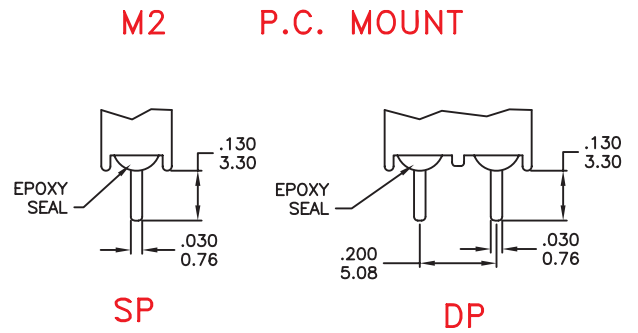
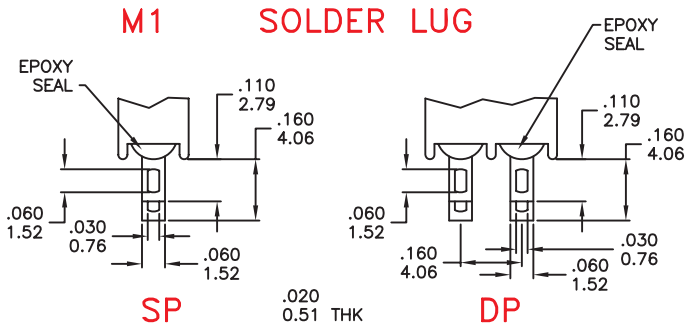


Part No. Shown : 4MD1R12M1QE

ACTUATOR OPTIONS-PANLE MOUNT

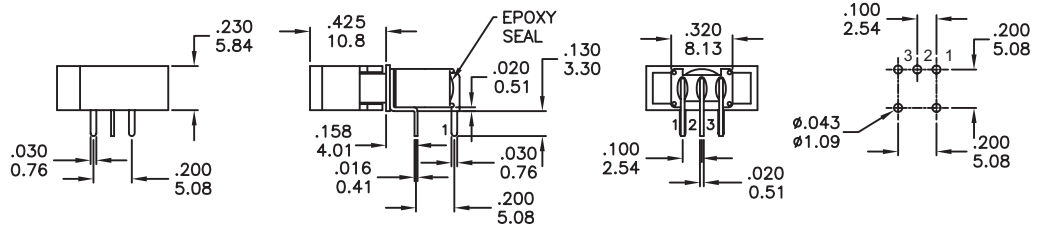


TERMINATION OPTIONS



M6

P.C. MOUNTING

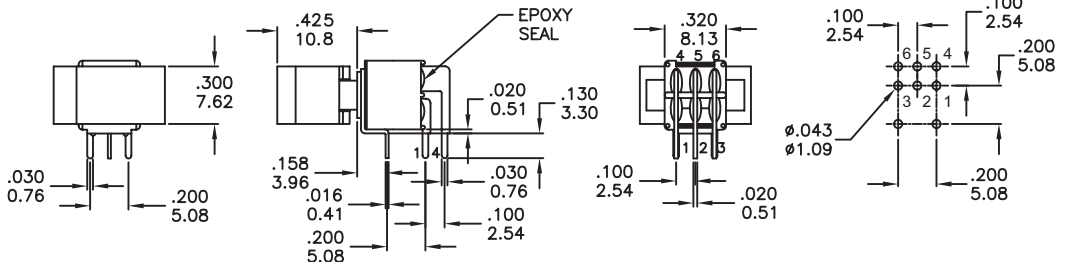


SPDT

Part No. Shown : 4MS1R22M6QE

M6

P.C. MOUNTING



DPDT

Part No. Shown : 4MD1R12M6QE