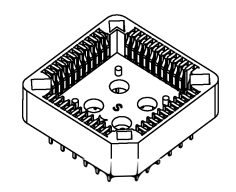
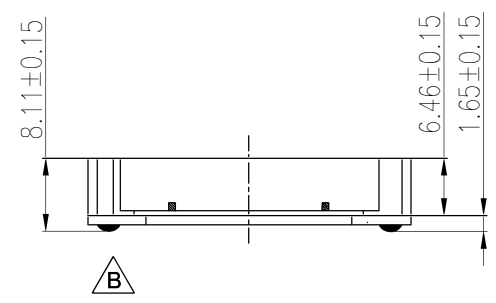
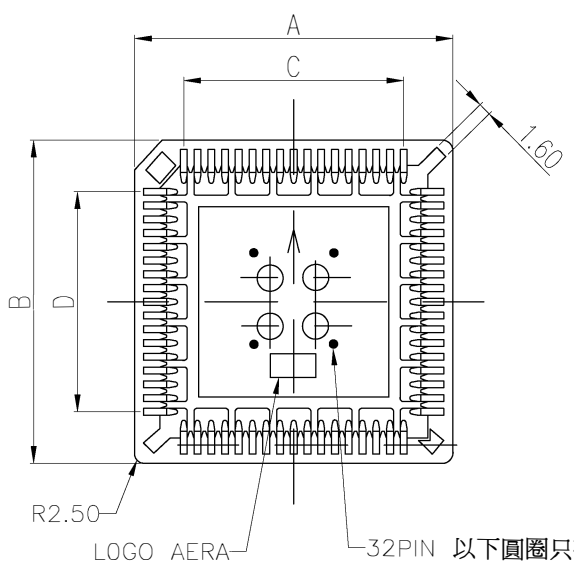


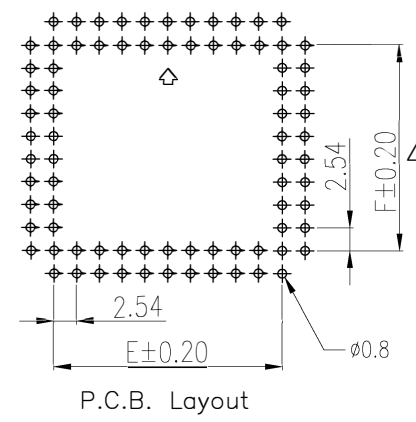
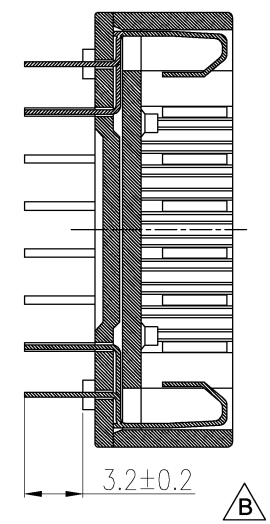
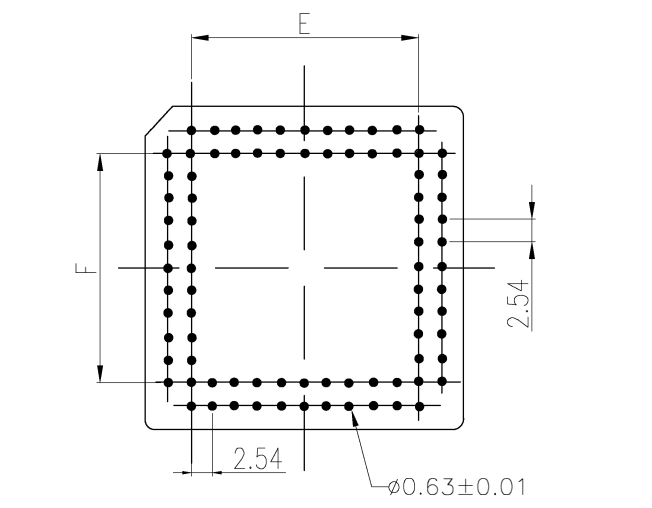
1 2 3 4 5



Specifications:
 Current rating:1.0A Amp
 Voltage rating:250V AC
 Withstanding voltage:500V AC/Min
 Contact resistance:30m ohm Max
 Insulation resistance:1,000M ohm Min $\triangle C$
 Operating Temperature range:-55°C~+85°C

Material
 Insulator:PBT (UL94V-0) $\triangle C$
 Standard Color:Black
 Terminal:Phosphor Bronze
 Plating:Tin Plated

How To Order
 6601-XX-PBT
 Insulator Material
 No. Of Contacts



| Pos | A±0.15 | B±0.15 | C±0.15 | D±0.15 | E±0.15 | F±0.15 |
|-----|--------|--------|--------|--------|--------|--------|
| 20 | 15.50 | 15.50 | 5.08 | 5.08 | 5.08 | 5.08 |
| 28 | 18.04 | 18.04 | 7.62 | 7.62 | 7.62 | 7.62 |
| 32 | 18.04 | 20.54 | 7.62 | 10.16 | 7.62 | 10.16 |
| 44 | 23.48 | 23.48 | 12.70 | 12.70 | 12.70 | 12.70 |
| 52 | 25.88 | 25.88 | 15.24 | 15.24 | 15.24 | 15.24 |
| 68 | 31.66 | 31.66 | 20.32 | 20.32 | 20.32 | 20.32 |
| 84 | 36.66 | 36.66 | 25.40 | 25.40 | 25.40 | 25.40 |

| | | | |
|-----|-------------|-----------|------------|
| E | | | |
| D | | | |
| C | 04-Dec-2018 | 修改圖面標柱 | Jamie Wang |
| B | 14-SEP-2017 | 修改圖面標柱及公差 | Jamie Wang |
| A | 05-Aug-2005 | | Cel king |
| REV | DATE | FILE | BY |

| | |
|------------------------|--|
| DRAWN: Cel king | GENERAL TOLERANCE: .X=±0.2 .XX=±0.15 |
| CHECKED: JEREMY LIU | |
| APPROVAL: MIKE WU | UNIT: MM |
| | SCALE: |
| | SHEET: 1 / 1 |
| | PROJECTION: |

Neltron Industrial Co., Ltd.
 Connectors
 DESCRIPTION: PLCC Socket Dip Type
 PART NO: 6601-XX-PBT
 SIZE: **A4**