

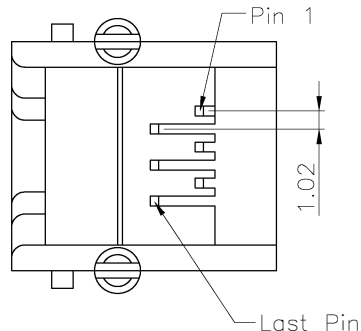
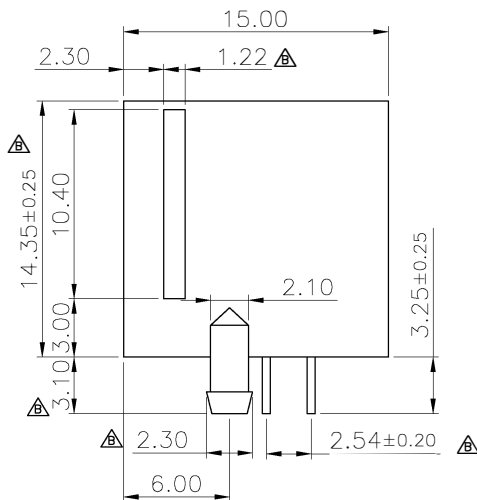
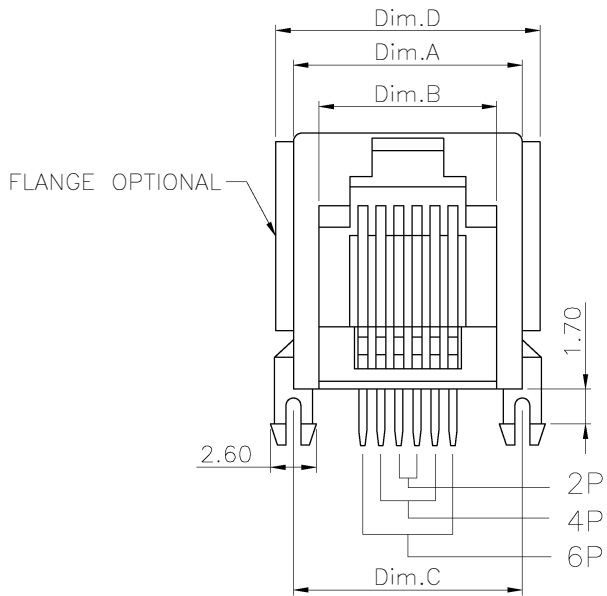
1

2

3

4

5



Specifications:

Current Rating: 1.5A AC/DC
 Voltage Rating: 125V AC/DC
 Contact Resistance: 20m ohm. Max.
 Insulation Resistance: 500M ohm. Min.
 Withstanding Voltage: 1,000V AC For One Minute
 Operating Temperature Range: -40°C to +85°C

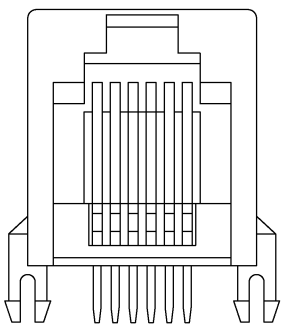
Material and Finish

Insulator: PBT or Nylon 9T (UL94V-0) Δ
 Insulator Color: Black
 Contact: Copper Alloy
 Plated: Gold Plated Over Nickel.

How To Order

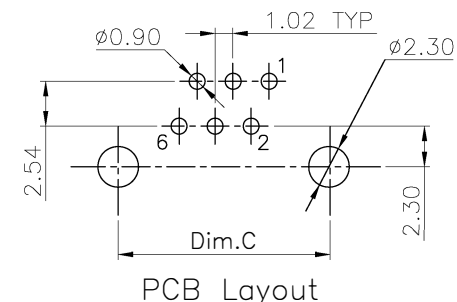
7002-XPXC-X-XX

- Blank: PBT
- F5: Nylon 9T Δ
- Blank: With Flange
- O1: W/O Flange
- No. Of Contacts
- No. Of Positions



O1:W/O Flange

Pos	CONTACT	Dim.A	Dim.B	Dim.C	Dim.D
4P	4C	12.20	7.88	12.00	14.20 Δ
6P	2C/4C/6C	12.20	9.88	12.00	14.20 Δ



RoHS Compliant

E			
D			
C	18-Jan-2019	Add Material:Nylon 9T	Jamie Wang
B	17-SEP-2018	Δ 更新圖面	Romina Wu
A	28-NOV-2008		Allen
REV	DATE	FILE	BY

DRAWN: Allen	GENERAL TOLERANCE: Δ .X=±0.25 .XX=±0.13
CHECKED: Jerry Chen	
APPROVAL: Mike Wu	UNIT: mm
	SCALE:
	SHEET: 1 / 1
	PROJECTION:

Neltron Industrial Co., Ltd.	
PART NO:	7002-XPXC-X-XX