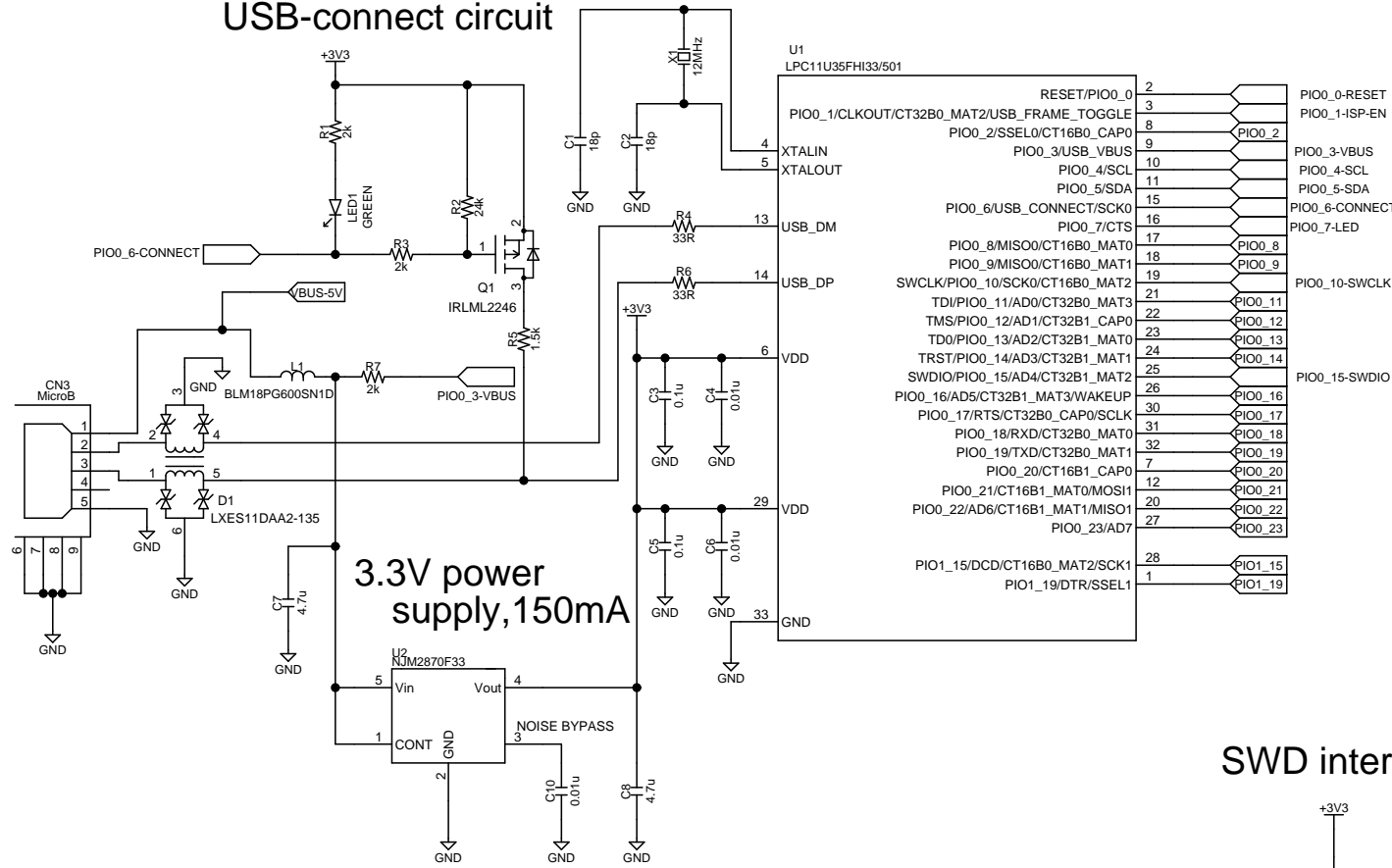
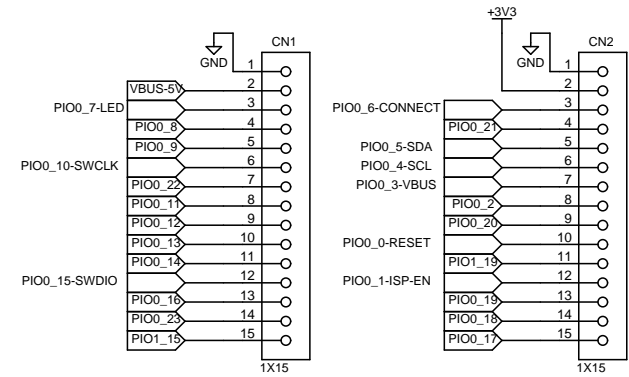


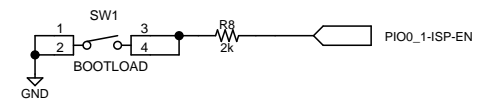
USB-connect circuit



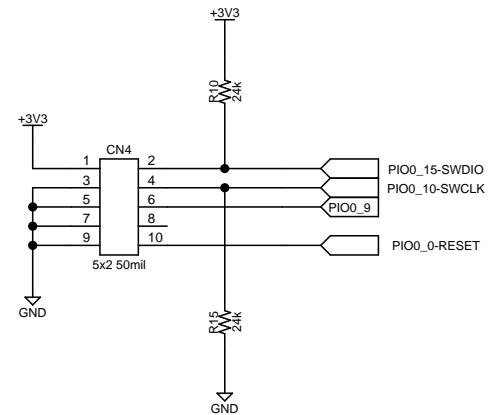
Expansion connectors



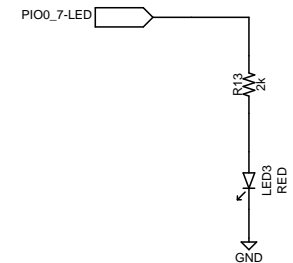
Bootload enable



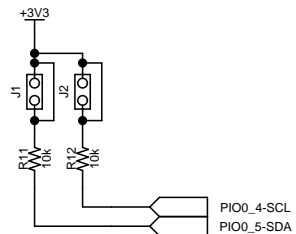
SWD interface



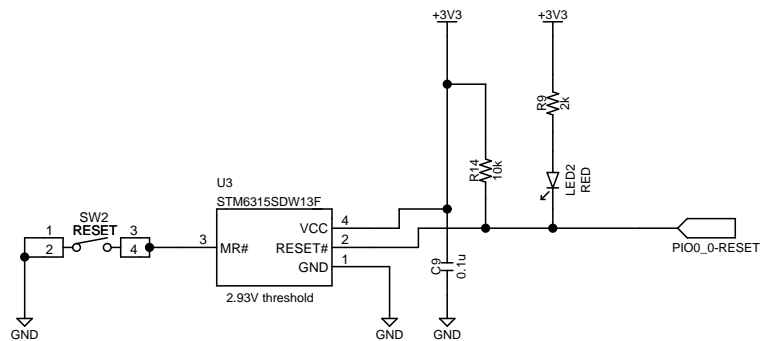
LED



I2C-pullups



Reset generation



TITLE		DRAWING_No.	
LPC11U35 QSB rev PA1			
SHEET	DATE	DESIGN	
1/1			