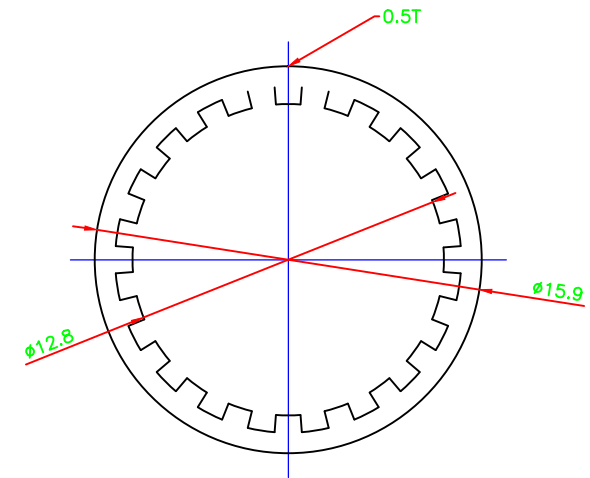
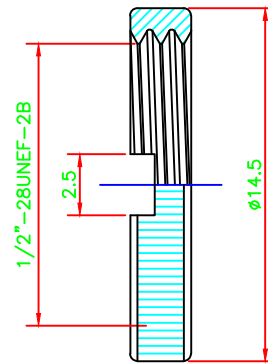
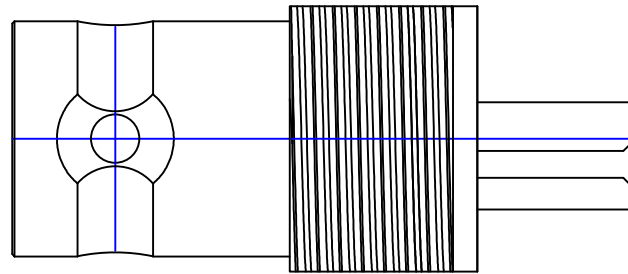
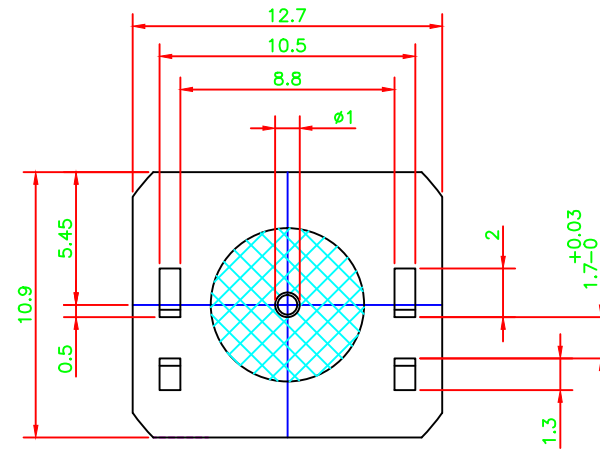


1/2"-28UNEF-2A



NO	Description	Material	Finish
1	Body	Brass	Nickel
2	Contact	Brass	Gold
3	Insulator	Teflon	-
4	Joint Cover	Brass	Nickel
5	Nut	Brass	Nickel
6	Washer	Brass	Nickel

Dimensions Are in Millimeters
Unless Otherwise Specified
Tolerances

0.5-6	= ± 0.2
6-30	= ± 0.4
30-120	= ± 0.6
120-315	= ± 1.0
315-1000	= ± 1.6
1000-2000	= ± 2.4

ROHS COMPLIANT

COSMTEC COSMTEC RESOURCES CO., LTD

DRAFT CHECKED APPROVED

The Drawing Contains Information That Is Proprietary To Cosmtec Resources Co., Ltd
And Should Not Be Used Without Written Permission. www.cosmtec.com

Part No. B-055-GF

Title: BNC JACK 50Ω SOLDER
EDGE MOUNT FOR PCB

DATE: FEB/10/2022 SCALE: 1:1 UNIT m/m REV A