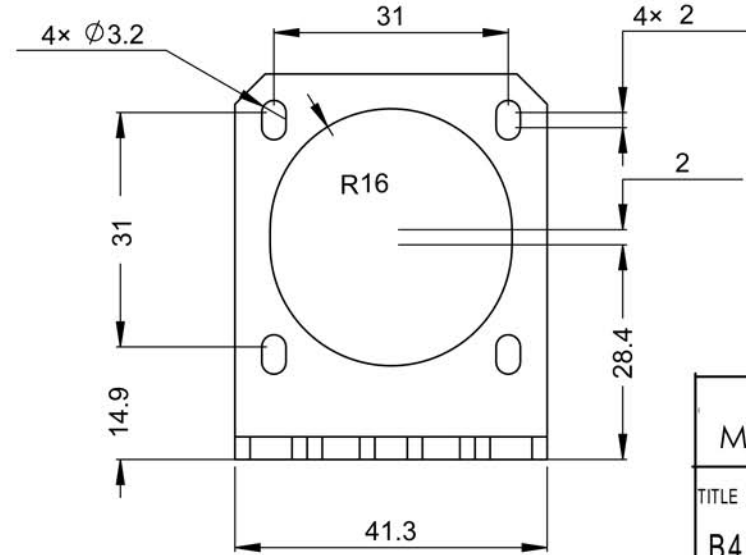
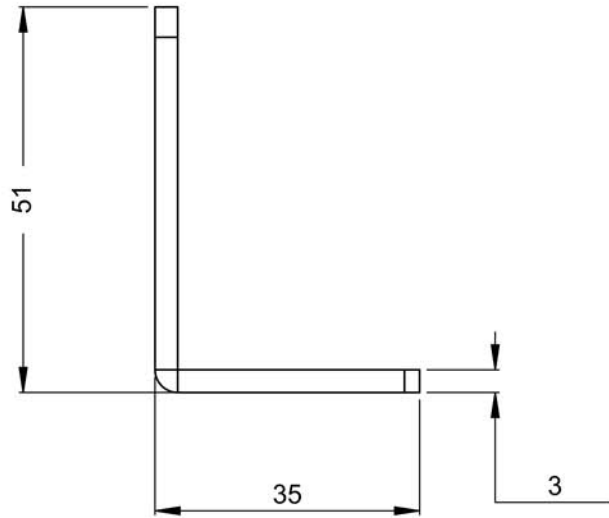
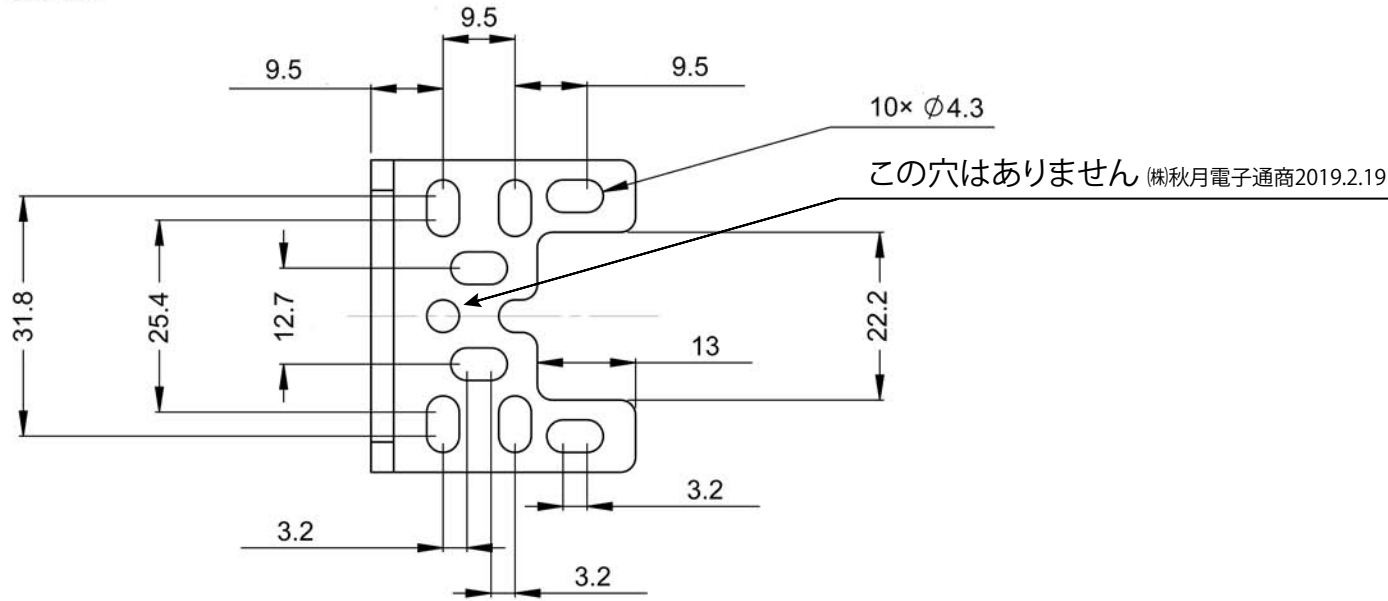


Dimension:
Unit=mm

CONTROL SIGNATURE:



MERCURY MOTOR

TITLE

B4201

SHEET 1 OF 1 | REV A

DWG.NO. B4201-02

REV.	EPO#	1ST ISSUE	170325
		DETAILS	DATE