


REV	Description	DATE	BY
v1	First release PCB version is v1	3/6/2015	QXN

PAGE NO.	SCHEMATIC PAGE
1	COVER PAGE
2	POWER MANAGEMENT
3	PROCESSOR 1 OF 3, JTAG HEADER
4	PROCESSOR 2 OF 3, UAB PORTS
5	PROCESSOR 3 OF 3
6	LED, CONFIGURATION AND BUTTON
7	DDR3 MEMORY
8	eMMC FLASH
9	10/100 ETHERNET
10	EXP CONN, uSD

This work is licensed under the Creative Commons Attribution 4.0 International License.
 To view a copy of this license, visit
<http://creativecommons.org/licenses/by-sa/4.0>

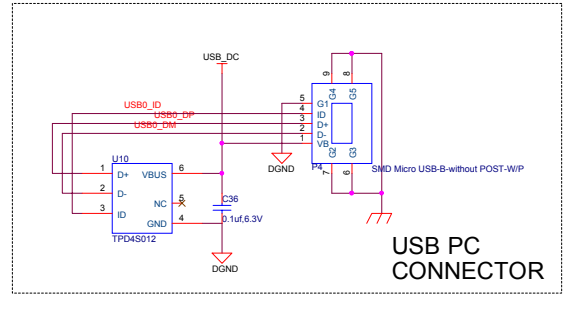
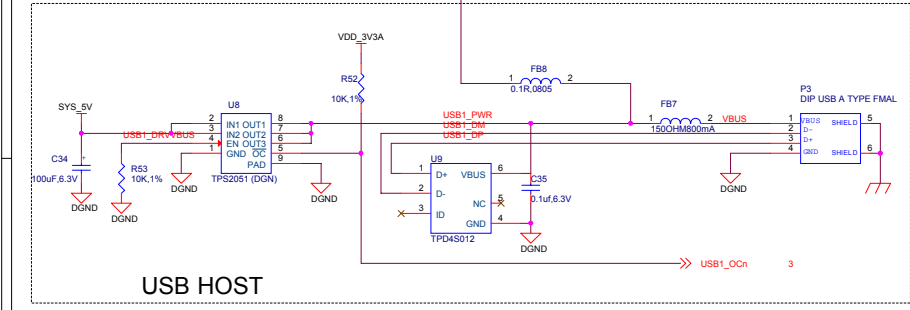
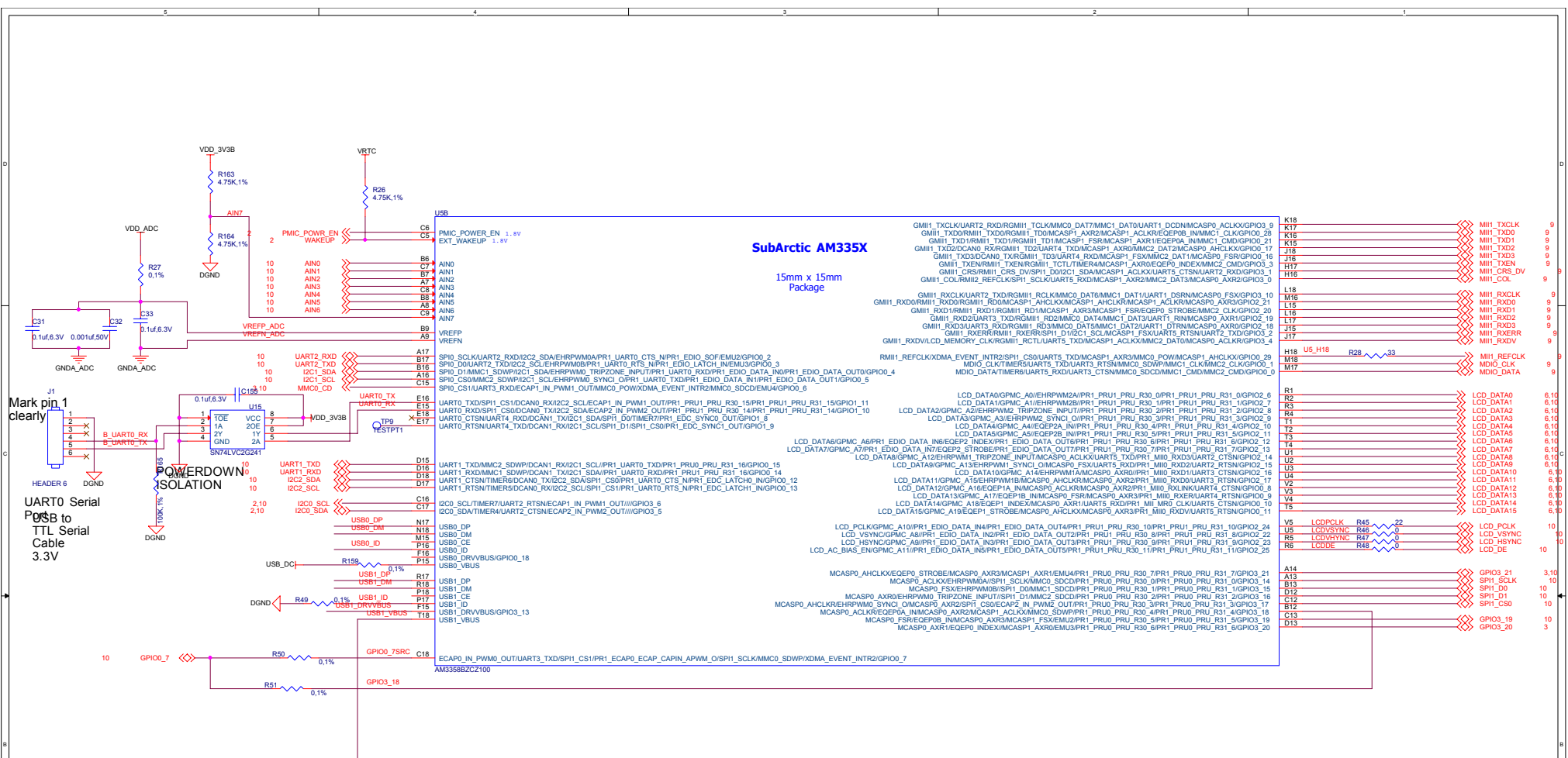
This schematic is ***NOT SUPPORTED*** and DOES NOT constitute a reference design. Only Community support is allowed via resources at BeagleBoard.org/discuss.

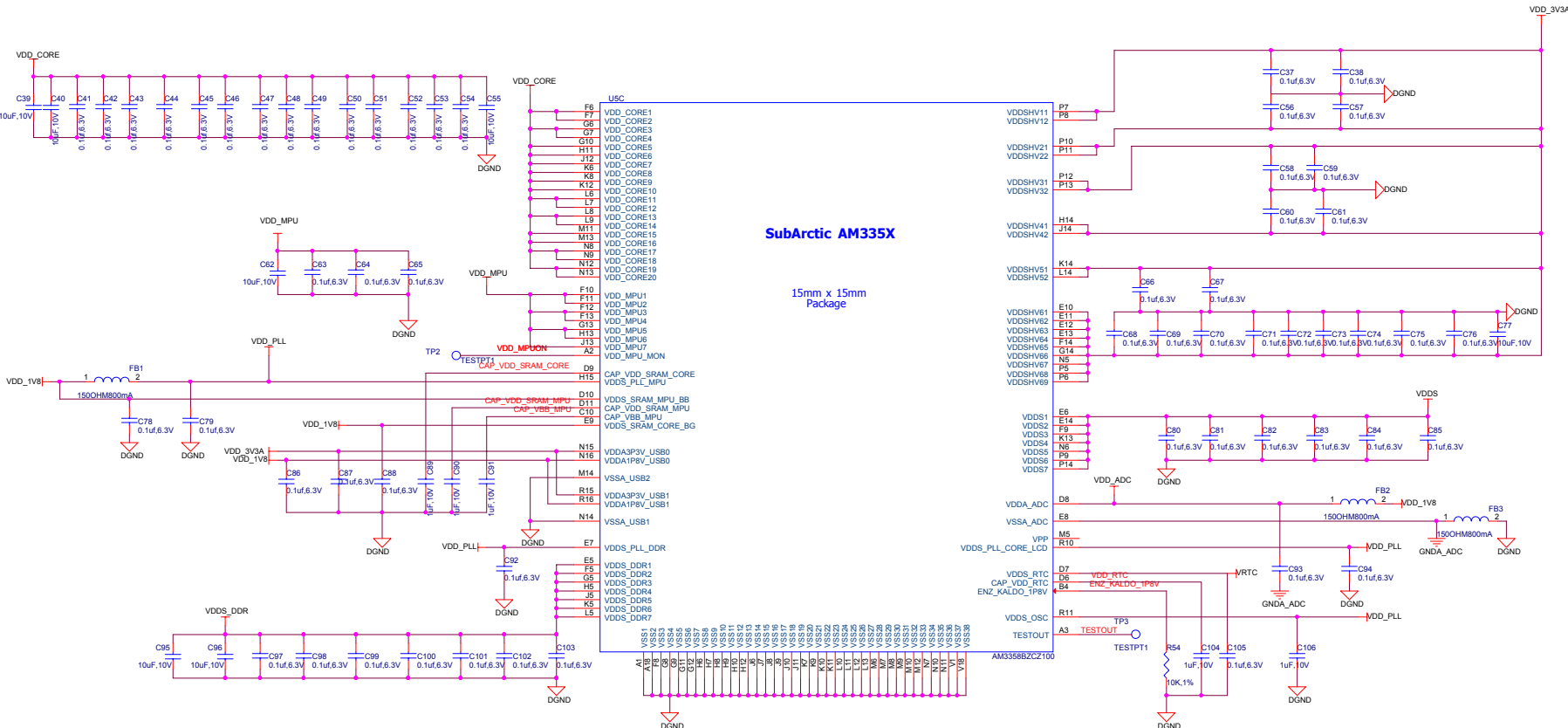
THERE IS NO WARRANTY FOR THIS DESIGN , TO THE EXTENT PERMITTED BY APPLICABLE LAW. EXCEPT WHEN OTHERWISE STATED IN WRITING THE COPYRIGHT HOLDERS AND/OR OTHER PARTIES PROVIDE THE DESIGN IS WITHOUT WARRANTY OF ANY KIND, EITHER EXPRESSED OR IMPLIED, INCLUDING, BUT NOT LIMITED TO, THE IMPLIED WARRANTIES OF MERCHANTABILITY AND FITNESS FOR A PARTICULAR PURPOSE. THE ENTIRE RISK AS TO THE QUALITY AND PERFORMANCE OF THE DESIGN IS WITH YOU. SHOULD THE DESIGN PROVE DEFECTIVE, YOU ASSUME THE COST OF ALL NECESSARY SERVICING, REPAIR OR CORRECTION.



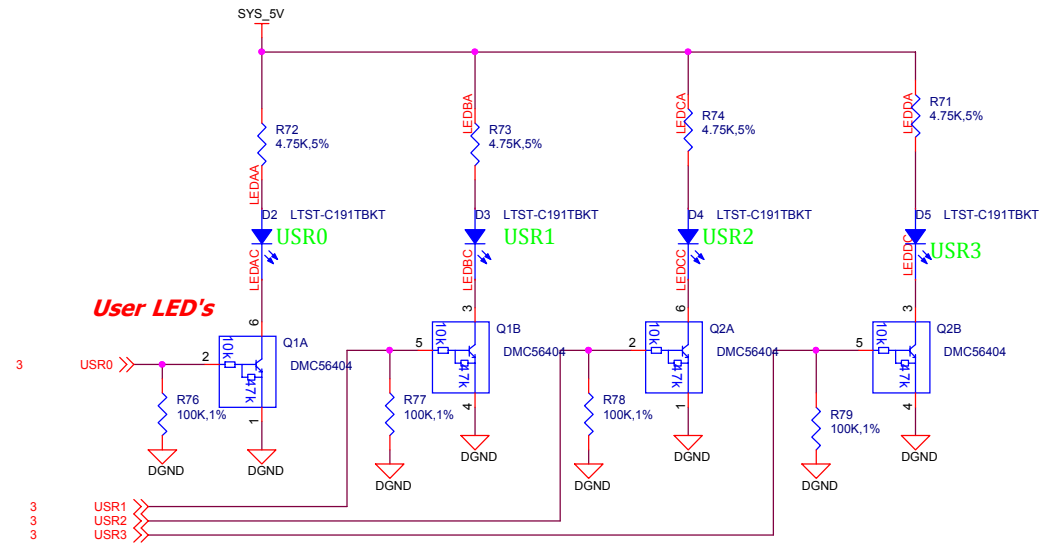
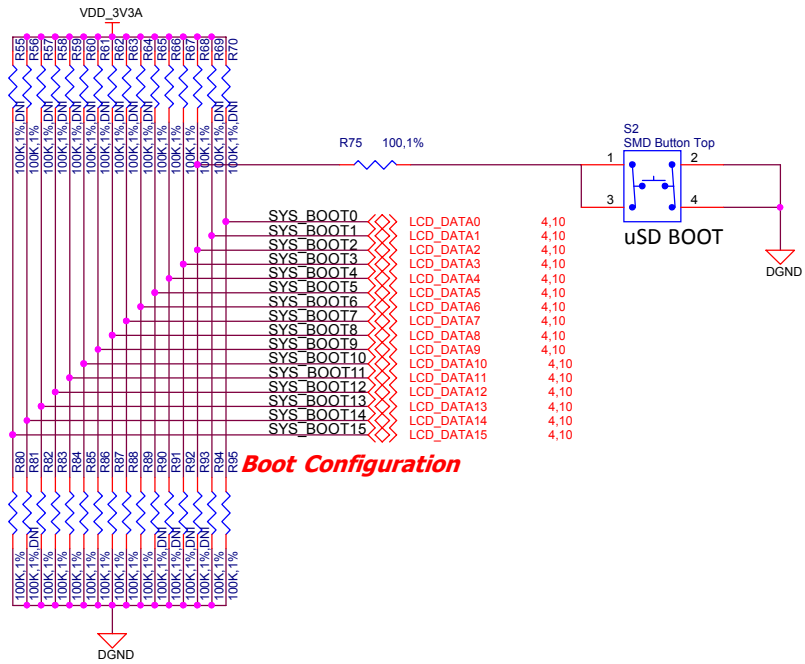
seeed studio
Grow the Difference

Title		BeagleBone Green Cover Page
Size	Document Number	Rev
B		v1
Date:	Thursday, June 04, 2015	Sheet 1 of 10





SubArctic AM335X
15mm x 15mm Package



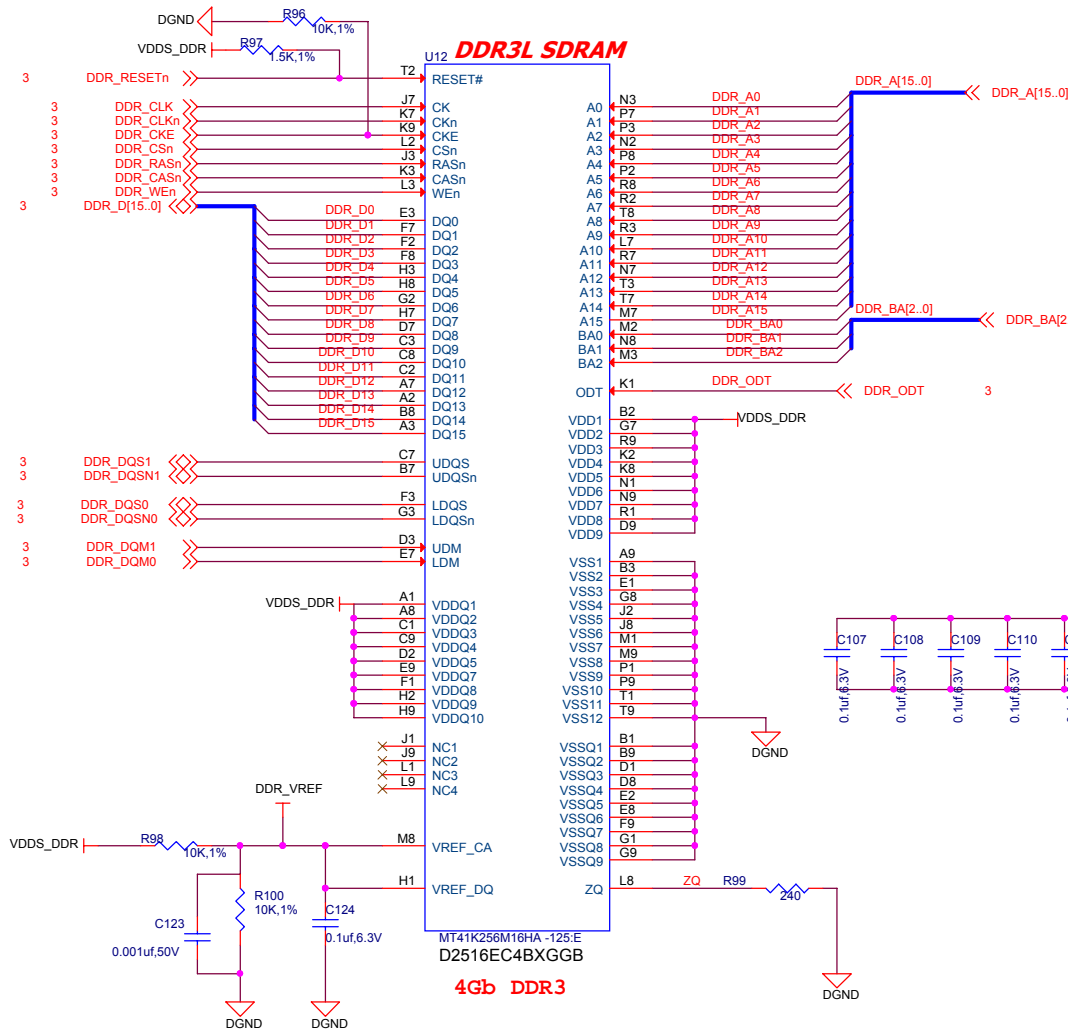
SYSBOOT[15:14]	SYSBOOT[13:12]	SYSBOOT[11:10]	SYSBOOT[9]	SYSBOOT[8]	SYSBOOT[7:6]	SYSBOOT[5]	SYSBOOT[4:0]	Boot Sequence			
00b = 19.2MHz 01b = 24MHz 10b = 25MHz 11b = 26MHz	00b (all other values reserved)	Don't care for ROM code	Don't care for ROM code	Don't care for ROM code	Don't care for ROM code	0 = CLKOUT1 disabled 1 = CLKOUT1 enabled	11100b	MMC1	MMC0	UART0	USB0[5]
00b = 19.2MHz 01b = 24MHz 10b = 25MHz 11b = 26MHz	00b (all other values reserved)	Don't care for ROM code	Don't care for ROM code	Don't care for ROM code	Don't care for ROM code	0 = CLKOUT1 disabled 1 = CLKOUT1 enabled	11000b	SPI0	MMC0	USB0[5]	UART0



Title BeagleBone Green LED, Configuration, and Reset

Size Document Number Rev v1

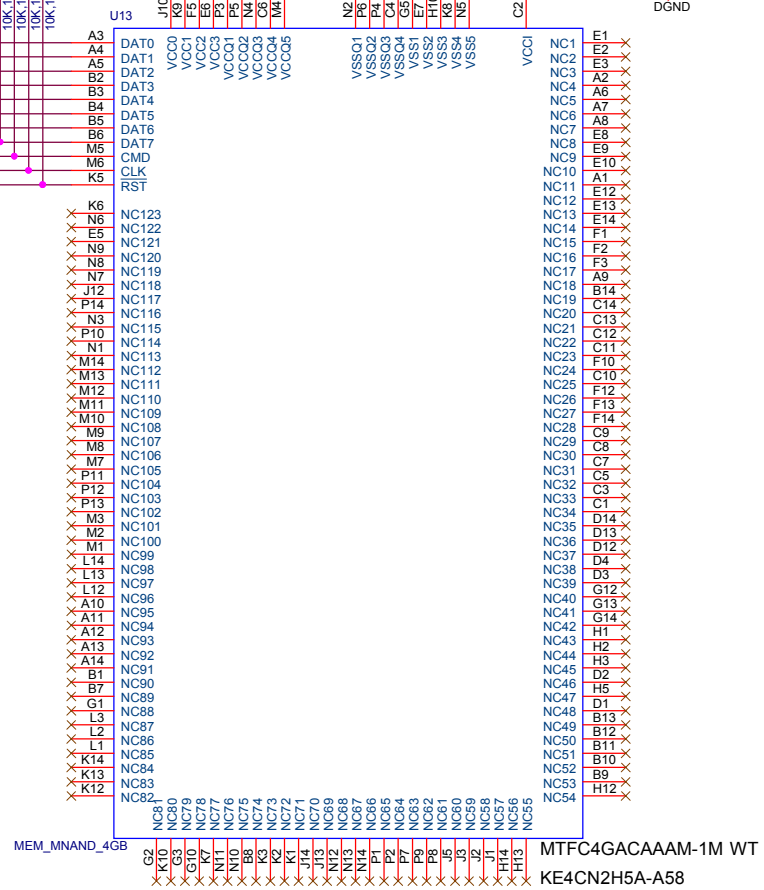
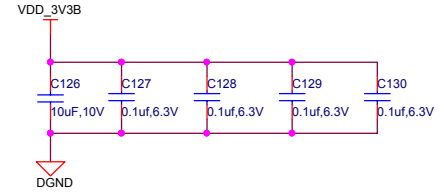
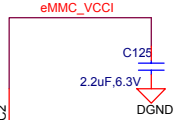
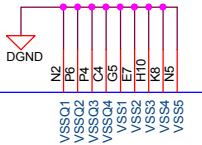
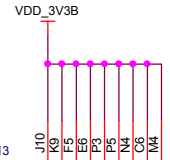
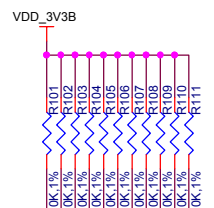

Date: Thursday, June 04, 2015 Sheet 6 of 10



Title: BeagleBone Green DDR3 Memory		
Size: B	Document Number	Rev: v1
Date: Thursday, June 04, 2015	Sheet 7 of 10	

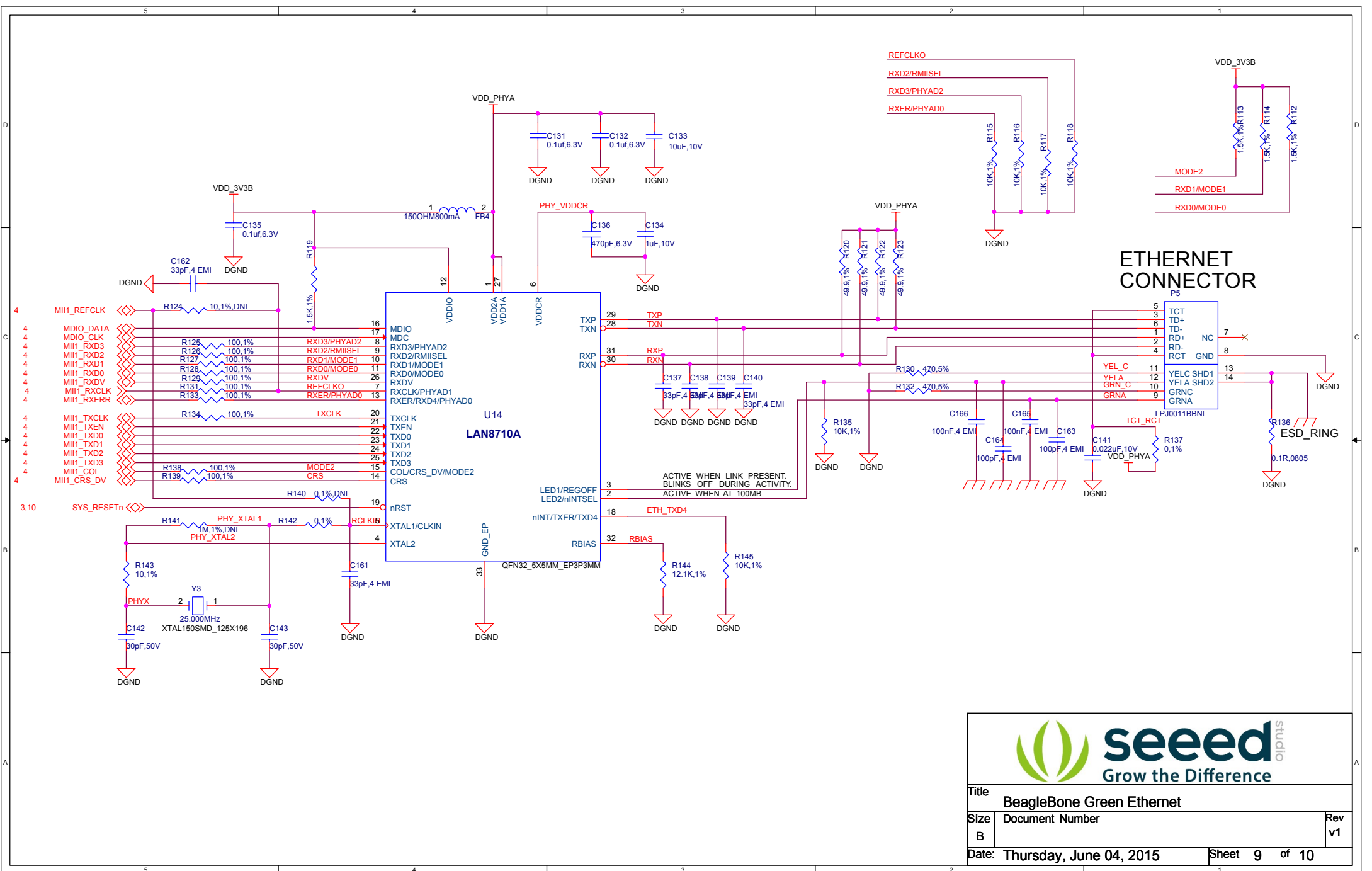
3.10
3.10
3.10
3.10
3.10
3.10
3.10
3.10
3.10
3.10
3

MMC1_DAT0
MMC1_DAT1
MMC1_DAT2
MMC1_DAT3
MMC1_DAT4
MMC1_DAT5
MMC1_DAT6
MMC1_DAT7
MMC1_CMD
MMC1_CLK
eMMC_RSTn

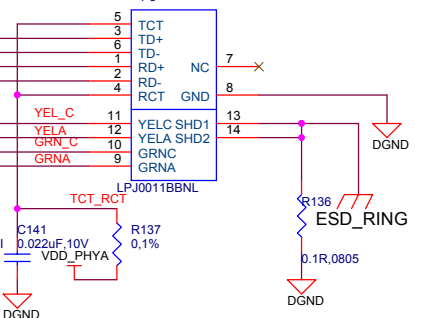



seed studio
Grow the Difference

Title		BeagleBone Green 4G eMMC	
Size	Document Number		Rev
B			v1
Date:	Thursday, June 04, 2015	Sheet	8 of 10

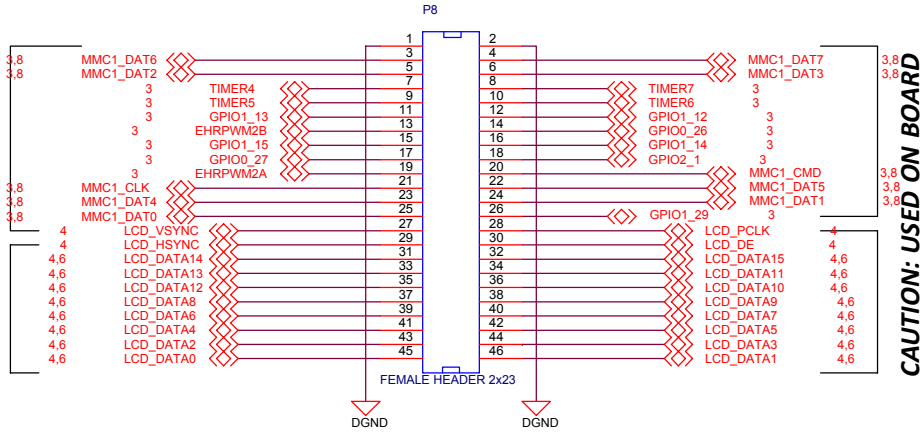


ETHERNET CONNECTOR



Title		
BeagleBone Green Ethernet		
Size	Document Number	Rev
B		v1
Date:	Thursday, June 04, 2015	Sheet 9 of 10

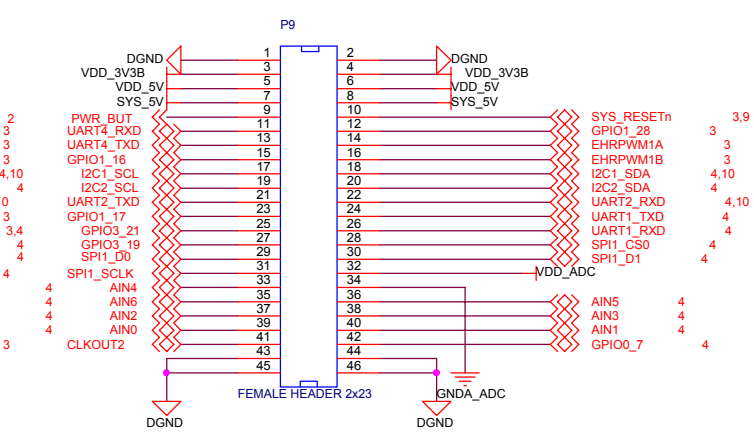
CAUTION: USED ON BOARD



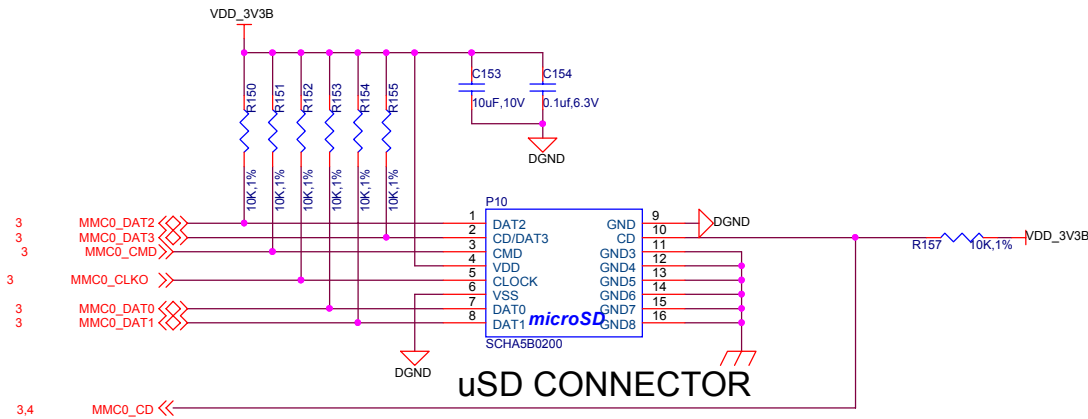
CAUTION: USED ON BOARD

EXPANSION HEADER

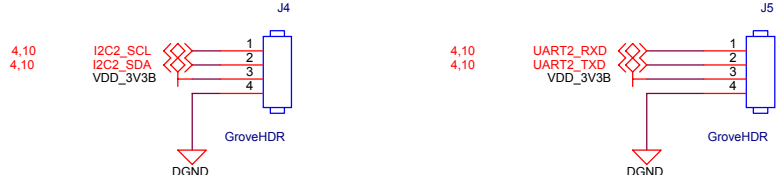
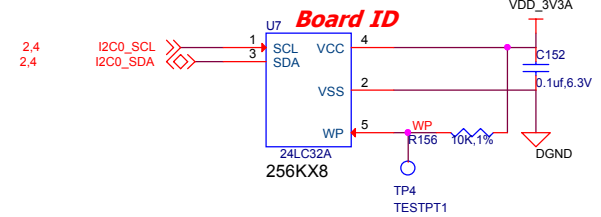
CAUTION: USED ON BOARD



EXPANSION HEADER



uSD CONNECTOR



GROVE CONNECTOR



Title		
BeagleBone Green Expansion Headers, uSD and EEPROM		
Size	Document Number	Rev
B		v1
Date:	Thursday, June 04, 2015	Sheet 10 of 10