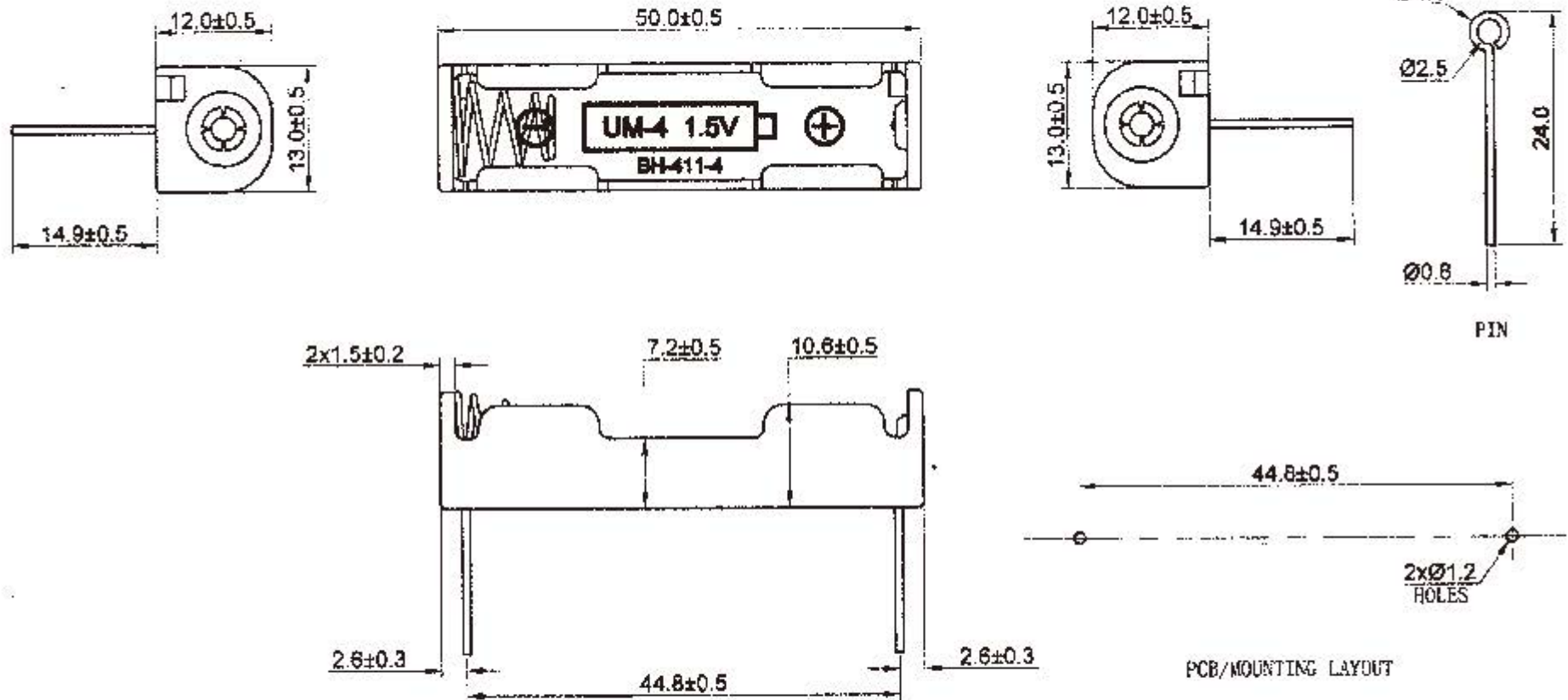
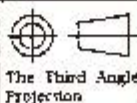


# 参考資料



## SPECIFICATION

- (1) ITEM NO. : BH-411-4P24
- (2) HOLDER MATERIAL: P. P. RESIN, BLACK COLOR
- (3) WITH PIN:  $\varnothing 0.8 \times 24$ MM, BRASS NICKEL PLATED
- (4) SPRING MATERIAL:  $\varnothing 0.6$ MM 65C SPRING STEEL NICKEL PLATED
- (5) RIVET MATERIAL: BRASS NICKEL PLATED
- (6) ROHS COMPLIANT

3			COMFORTABLE ELECTRONIC CO. LTD.		
2			NAME BATTERY HOLDER: BH-411-4P24		
1			SCALE	1.5:1	APPD
NO. MODIFICATION DATE			UNIT	MM	CHKD
General Tolerances			MAT'L	AS SPEC.	DWN
0 ~ >3	$\pm 0.10$	30 ~ >120	$\pm 0.30$	 The Third Angle Projection	
3 ~ >6	$\pm 0.15$	120 ~ >400	$\pm 0.50$		
6 ~ >30	$\pm 0.20$	Angle: $\pm 3^\circ$			
DATE	NOV. 18, 2011	DR NO	4114P24-1111		