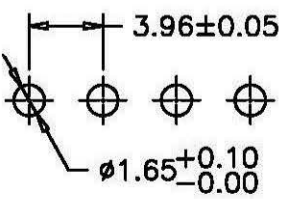
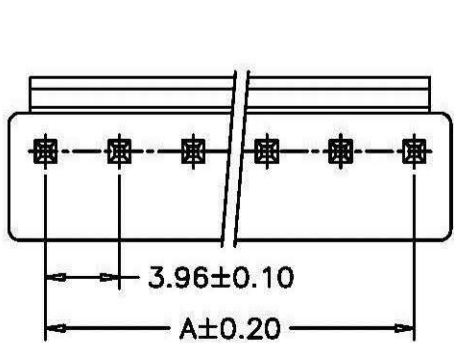


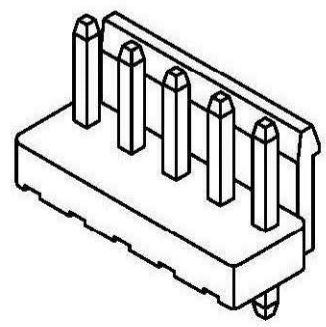
1 2 3 4 5 6 7 8 9 10

A
B
C
D
E
F
G

A
B
C
D
E
F
G



P.C.B LAYOUT

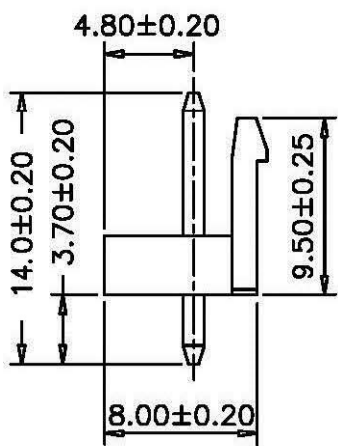
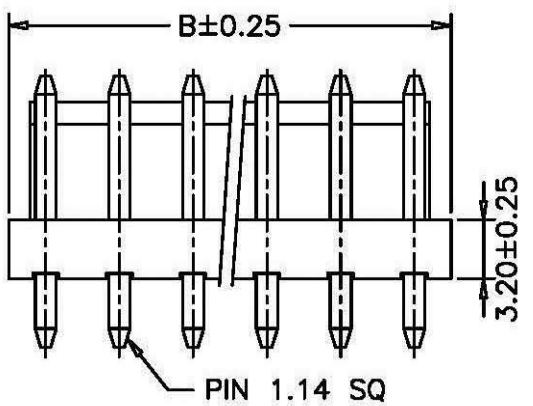


SPECIFICATIONS

Voltage Rating: 250V AC/DC
 Current Rating: 7A AC/DC
 Withstanding Voltage: 1500V AC/minute
 Insulation Resistance: 1000MΩ min.
 Temperature Range: -25° C - +85° C
 Contact Resistance: 20mΩ max

WAFER

Pole: 02-12
 Material: Nylon 66, UL94V-0
 Pin: Brass, Tin plated



NO	DIMENSION	
	A	B
02	3.96	8.00
03	7.92	11.96
04	11.88	15.92
05	15.84	19.88
06	19.80	23.84
07	23.76	27.80
08	27.72	31.76
09	31.68	35.72
10	35.64	39.68
11	39.60	43.64
12	43.56	47.60

					OPERATION	DRAW	JACKEY	2005.03.18	SCALE	Chang Enn Co., Ltd.	
					~ 10 ±0.15	DESIGN			UNIT		
					20 ~ 30 ±0.30	CHECK	PHOEBE	2005.03.18	SIZE	A4	PART NO.
0	05/12/27	NEW			30 ~ ±0.50	APPROVE	ALEX	2005.03.18	SHEET	1/1	TITLE: 3.96MM 180°C WAFER
REV	DATE	MODIFICATION DESCRIPTION	CHANGE	APPROVE	Angle ± 2°				PROJ.	↔	DRAWING NO. BxxP-SVH-SG(14.0)
					DIM TOL						

1 2 3 4 5 6 7 8 9 10

H