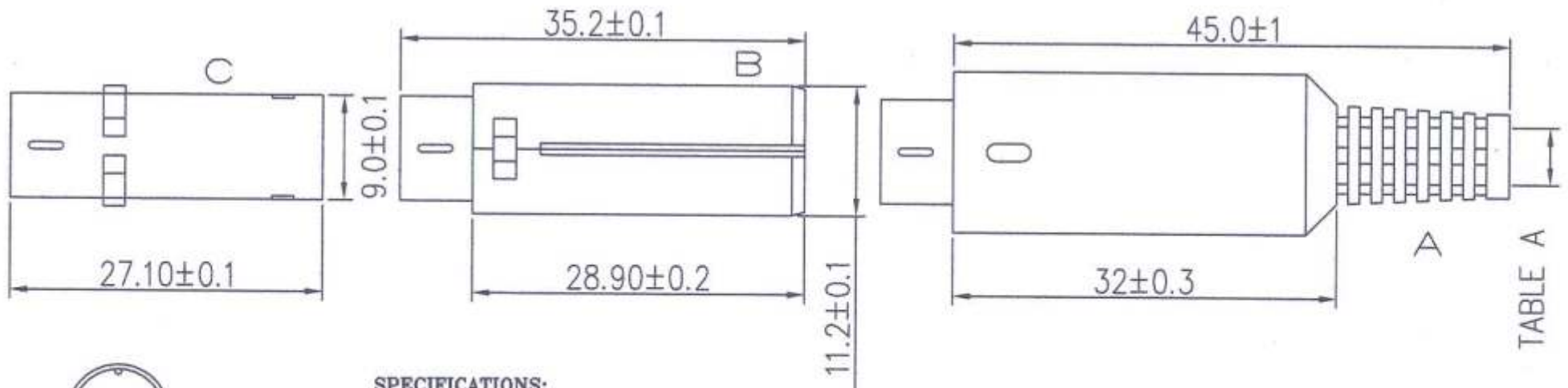
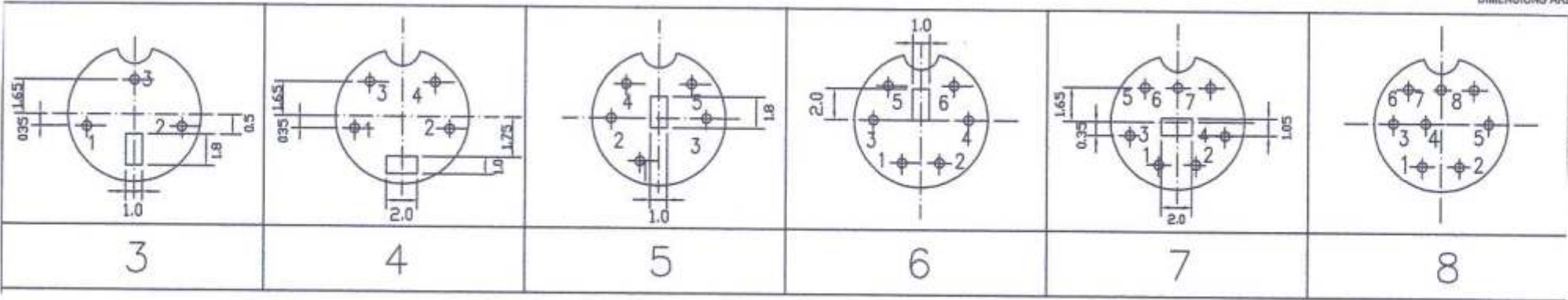


- 0.5-5 = +0.2
- 5-30 = +0.4
- 30-120 = +0.5
- 120-315 = +1
- 315-1000 = +1.6
- 1000-2000 = +2.4



- SPECIFICATIONS:**
1. RATING: 100V AC 1A MAX  
OR 12V DC 2A MAX.
  2. INSULATION RESISTANCE:  
50M OHM MIN AT 500V DC.
  3. DIELECTRIC STRENGTH:  
500V AC / 1 MINUTE.

	7.0φ BACK SHELL
	6.0φ BACK SHELL
⊗	5.0φ BACK SHELL (STANDARD)
	COVER DIM.

**MATERIAL:**  
 A. COVER: PE+2L  
 B. SHELL: ABS  
 C. METAL SHIELD:  
 BRASS NICKEL PLATED  
 D. HOUSING: NYLON6+ GF  
 E. CONTACT:  
 BRASS FLASH GOLD

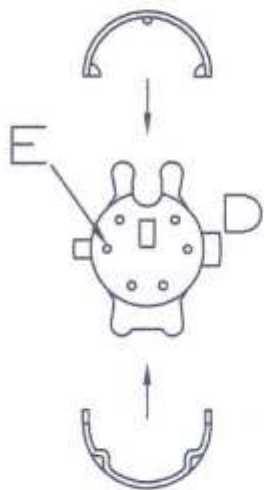




TABLE A

**RoHS COMPLIANT**

<b>APPROVED BY:</b>	<b>UNITED AU-VI CO., LTD.</b>	
	<b>Description:</b>	<b>4PINS MINI DIN PLUG</b>
	<b>Part No.:</b>	<b>DI-6721-4</b>
<b>Date:</b> JUN 18 2009	<b>File No.:</b>	 THE ULTIMATE ELECTRONIC COMPONENTS