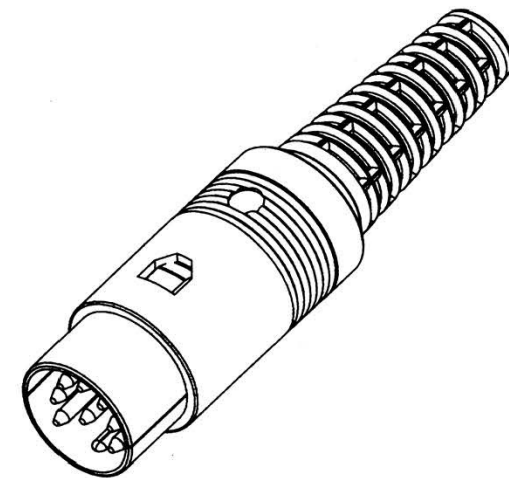
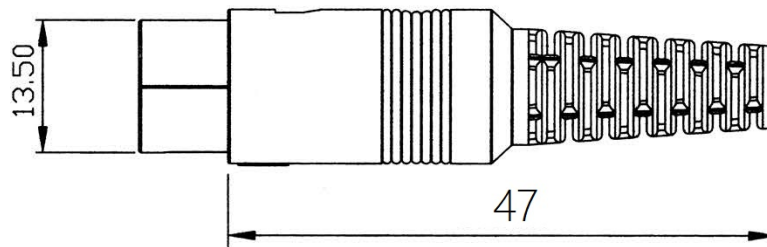
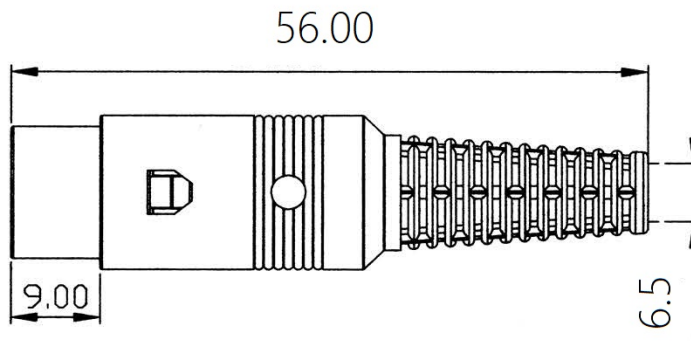
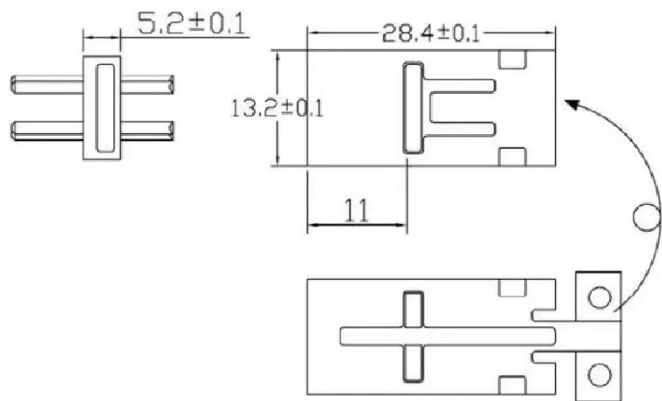


RoHS Compliant



| | | | | | | | | |
|----|----|-----|-----|-----|----|----|----|----|
| | | | | | | | | |
| -3 | -4 | -5A | -5B | -5C | -6 | -7 | -8 | -9 |

| | | | | | | | | | |
|------|----------|-------------|-----|------------|-------------------|-------|-------|----------------------------|------------------|
| E | | | | Drawn: | General Tolerance | | | Chang Enn Co., Ltd. | Part No. |
| D | | | | | .0 | .00 | .000 | | DIN-PA-XX |
| C | | | | Checked: | ±0.30 | ±0.15 | ±0.05 | | |
| B | | | | | Unit : mm | | | File No. LSDIN-PA-XX | |
| A | 3-Mar-15 | new release | Roy | Appraisal: | Scale : | | | Title: DIN Plug | |
| Rev. | Date | File | BY | | Sheet : 1/1 | | | For Cable Assembly | |