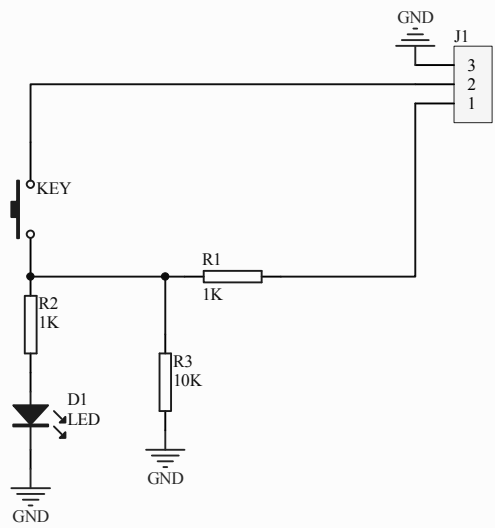


参考資料



Title		
Digital Push Button		
Size	Number	Revision
A4		V2
Date:	2013-11-1	Sheet of
File:	D:\产品记录\Digital Push Button.SchDoc Drawn By:	