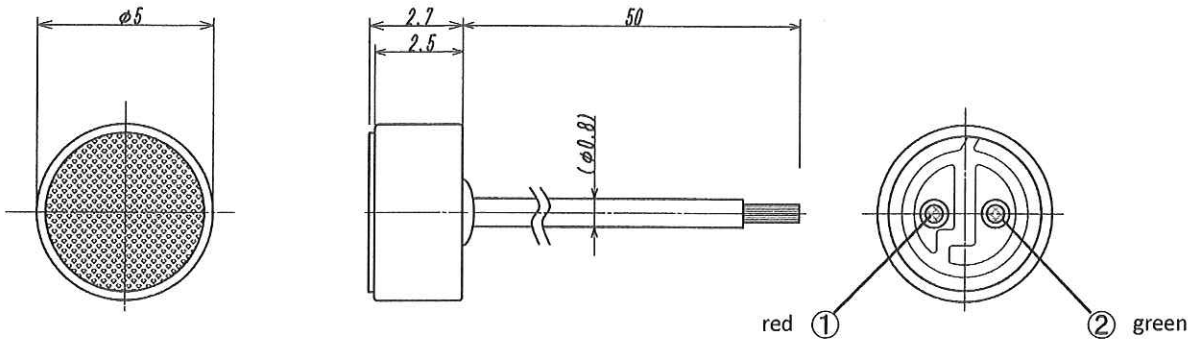


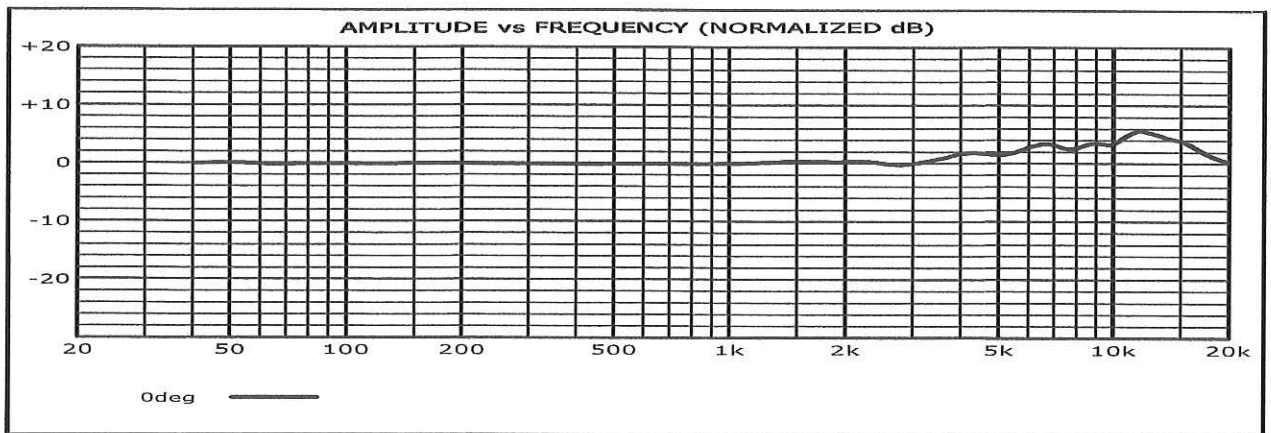
Specification	Model	No	Page
	EB-5400(2) with lead wire	71754	1/1

1. Outer Appearance and Dimensions (unit : mm)

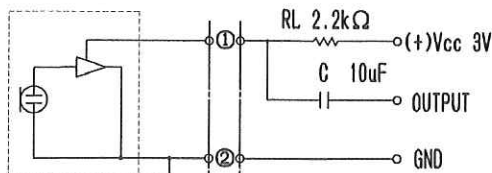


2. Electrical Specifications

- 2-1 Type Back Electret Condenser
- 2-2 Sensitivity $-45\text{dB} \pm 4\text{dB}$ (0dB = 1V / 1Pa)
- 2-3 Frequency Range 50Hz ~ 20kHz
- 2-4 Impedance $2\text{k}\Omega$ typical at 1kHz (RL = 2.2k Ω)
- 2-5 Polar Pattern Omni-Directional
- 2-6 Power Requirements 1.3V ~ 12V Operating Voltage Reference 3V
- 2-7 Current Consumption Less than 500 μA
- 2-8 Maximum Input S. P. L 104dB S.P.L. (RL = 2.2k Ω at 1kHz 1% T. H. D)
- 2-9 Signal/Noise Ratio More than 58dB (at 1kHz/Pa A-Weighted)
- 2-10 Polarity Positive acoustic Pressure on the diaphragm
Generates a negative phase voltage on OUTPUT
- 2-11 Frequency Response



Measurement Circuit



RevNo.	Date	Revision note	approval	check	draw

Four-Leaf