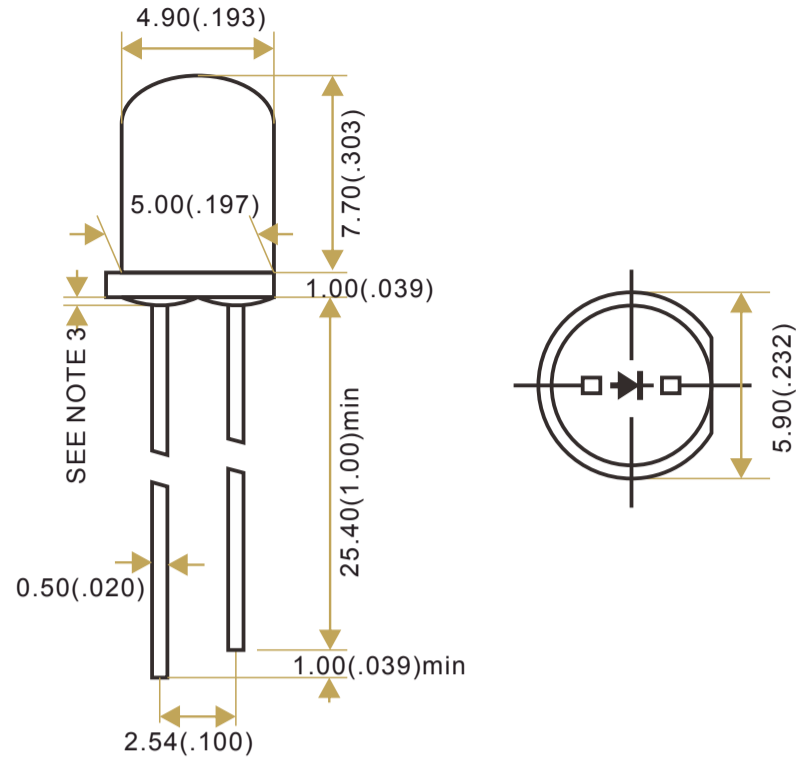


ESL-R5BXX018



5.0mm Dia LED LAMP-UV LED, BLUE, WHITE & SUPER GREEN

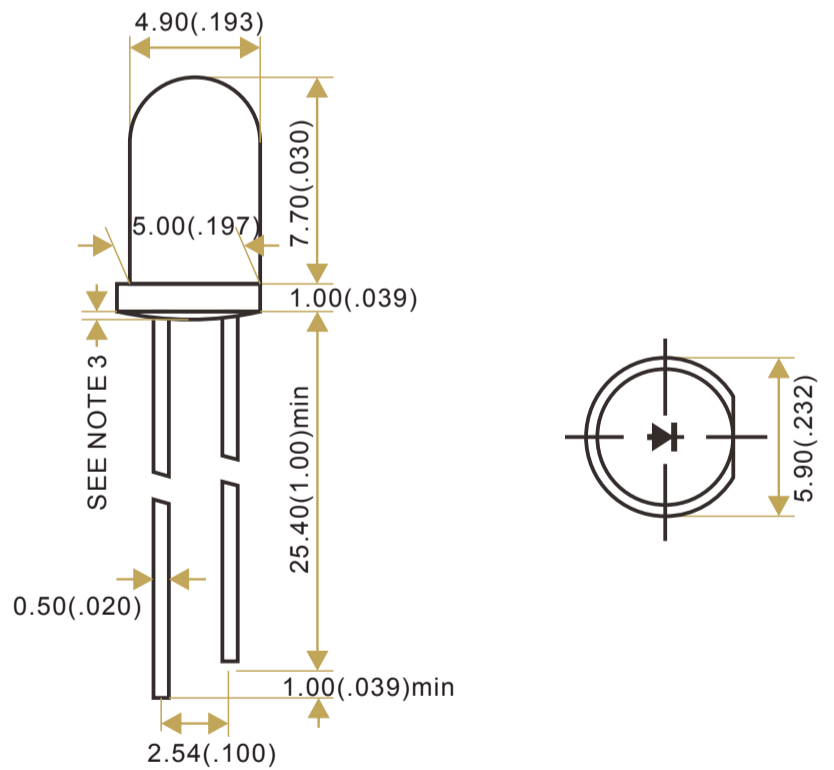


Part No.	Chip		Lens Color	Wave Length λ D(nm)	Electro-Optical Characteristics			View Angle (deg)
	Raw Material	Emitted Color			VF(V)20mA		Iv(mcd)20mA	
					Typ.	Max	Typ.	
ESL-R5BUBC018	GaInN	Ultra Blue	Water Clear	467	3.5	4.0	4000	18
ESL-R5BLBC018	GaInN	Ultra Blue	Water Clear	467	3.5	4.0	4000	18
ESL-R5BUWC018	GaInN	White	Water Clear	/	3.5	4.0	5000	18
ESL-R5BUWT018	GaInN	White	Water Clear	/	3.5	4.0	15000	18
ESL-R5BLPGC018	GaInN	Ultra Green	Water Clear	525	3.5	4.0	5000	18
ESL-R5BUPGC018	GaInN	Ultra Green	Water Clear	525	3.5	4.0	7000	18
ESL-R5BSPGC018	GaInN	Ultra Green	Water Clear	505	3.5	4.0	5000	18
ESL-R5BURC018	GaAlInP/GaAs	Ultra Red	Water Clear	630	2.0	2.5	1800	15

ESL-R5CXX020



5.0mm Dia LED LAMP-UV LED, BLUE, WHITE & SUPER GREEN



Part No.	Chip		Lens Color	Wave Length λ D(nm)	Electro-Optical Characteristics			View Angle (deg)
	Raw Material	Emitted Color			VF(V)20mA		Iv(mcd)20mA	
					Typ.	Max	Typ.	
ESL-R5CSRC020	GaAlInP	Super Red	Water Clear	643	1.8	2.2	350	15
ESL-R5CURC020	GaAlInP	Ultra Red	Water Clear	630	2.0	2.5	1700	15
ESL-R5CHOC020	GaAlInP	Hi.effi Red	Water Clear	610	2.2	2.6	2500	22
ESL-R5CUOC020	GaAlInP	Hi.effi Red	Water Clear	610	2.0	2.6	3500	25
ESL-R5CLOC020	GaInN/GaN	Hi.effi Red	Water Clear	610	2.2	2.6	4500	15
ESL-R5CHYC020	GaAlInP	Ultra Yellow	Water Clear	595	2.3	2.6	4500	20

