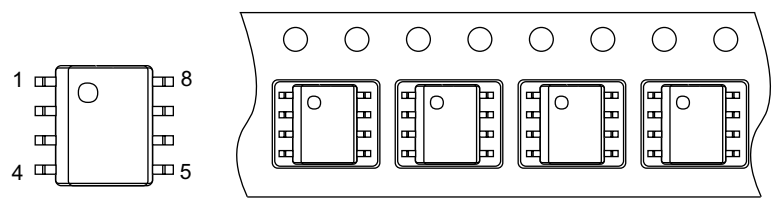
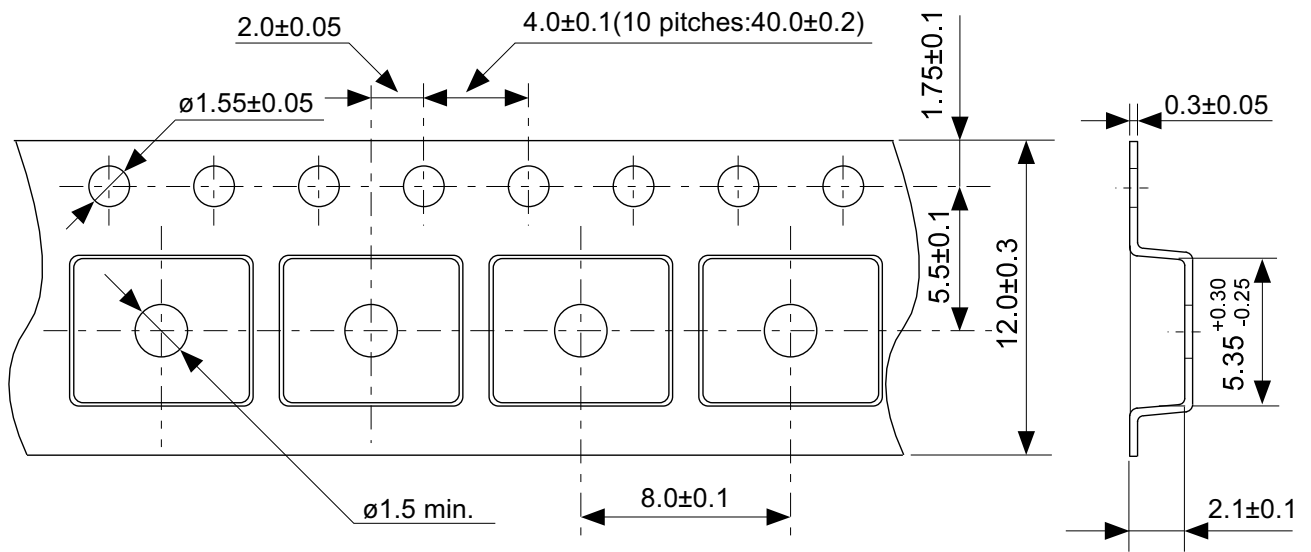


No. FJ008-Z-P-SD-2.0

TITLE	SOP8J-Z-PKG Dimensions
No.	FJ008-Z-P-SD-2.0
SCALE	
UNIT	mm
SII Semiconductor Corporation	

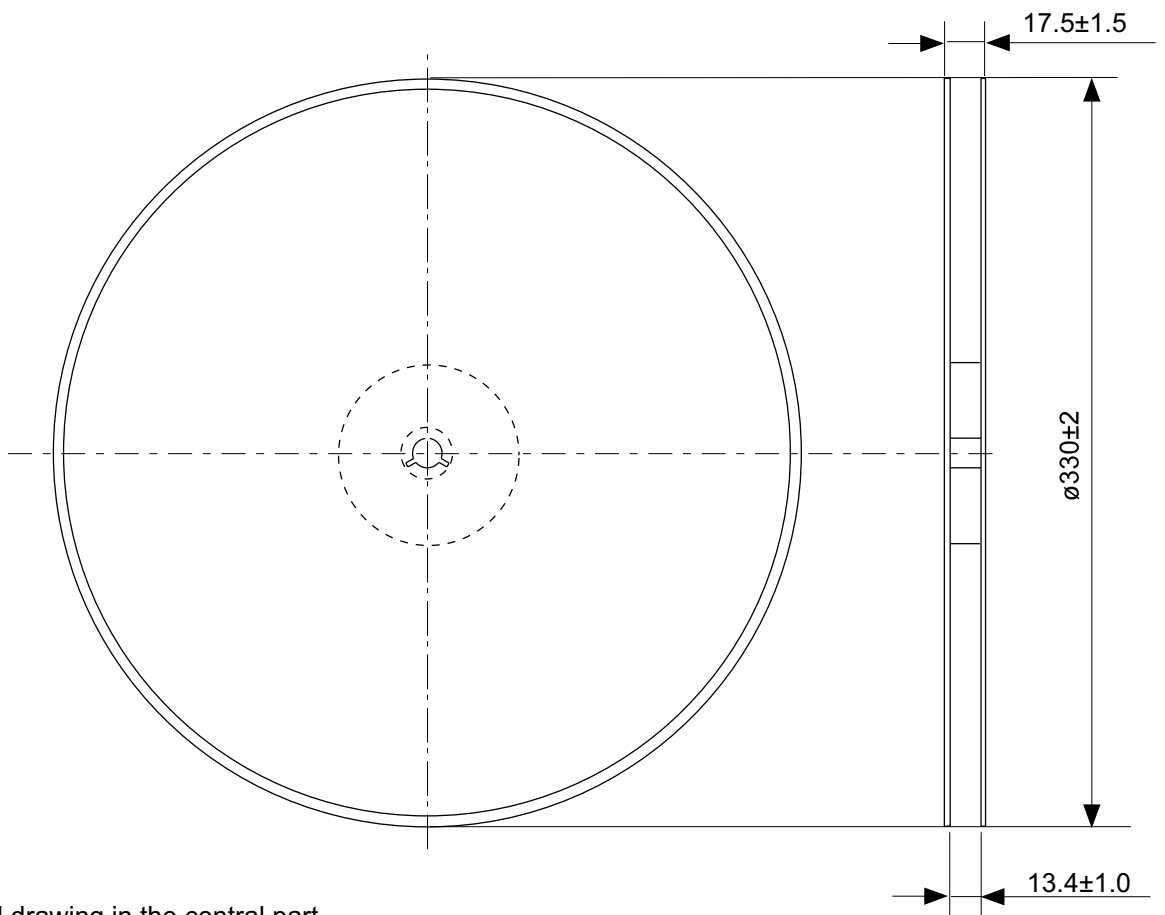


→
Feed direction

No. FJ008-Z-C-SD-1.0

TITLE	SOP8J-Z-Carrier Tape
No.	FJ008-Z-C-SD-1.0
SCALE	
UNIT	mm

SII Semiconductor Corporation

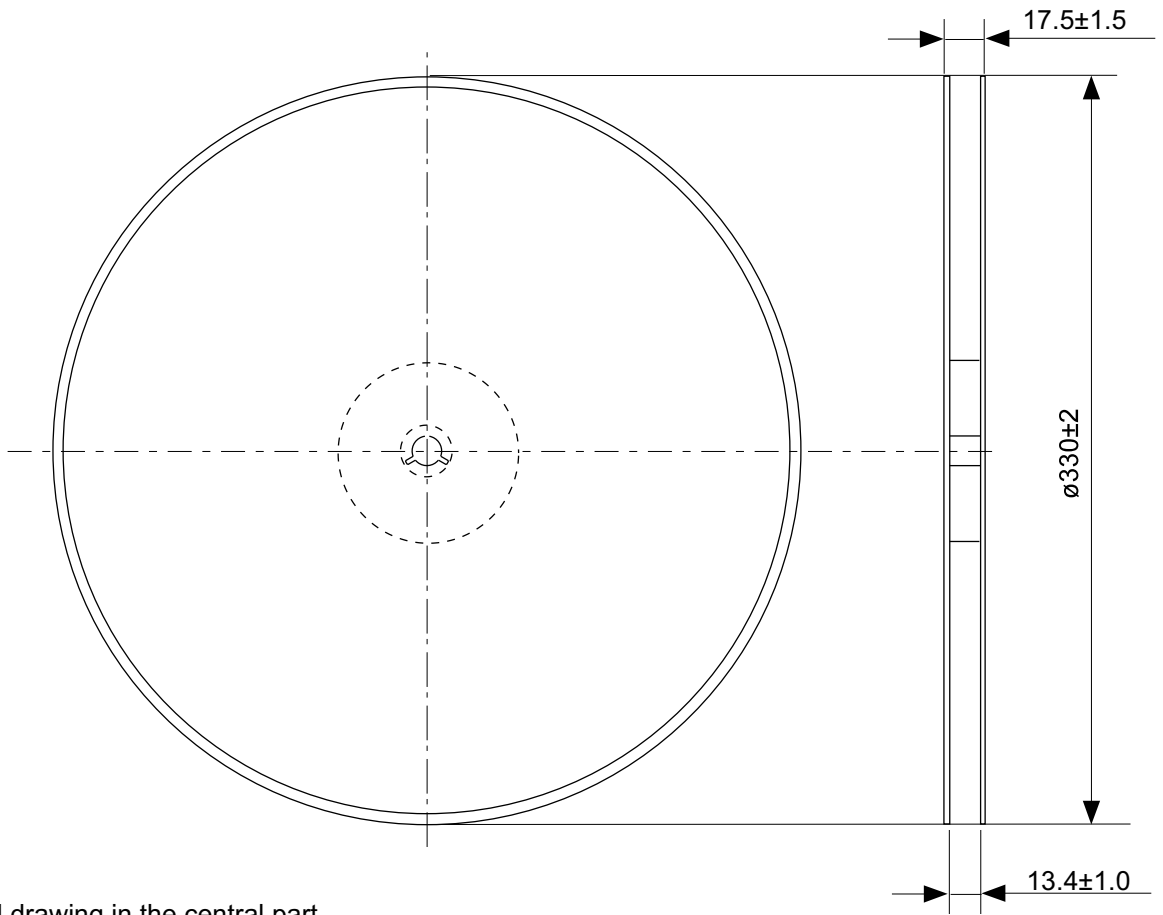


Enlarged drawing in the central part

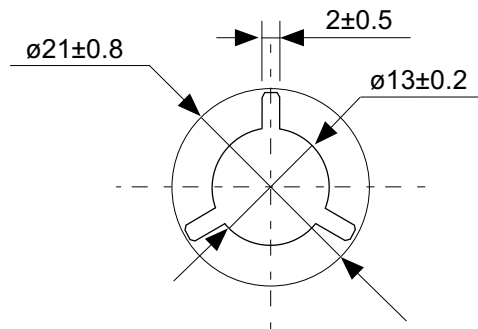


No. FJ008-Z-R-SD-1.0

TITLE	SOP8J-Z-Reel		
No.	FJ008-Z-R-SD-1.0		
SCALE		QTY.	4,000
UNIT	mm		
SII Semiconductor Corporation			



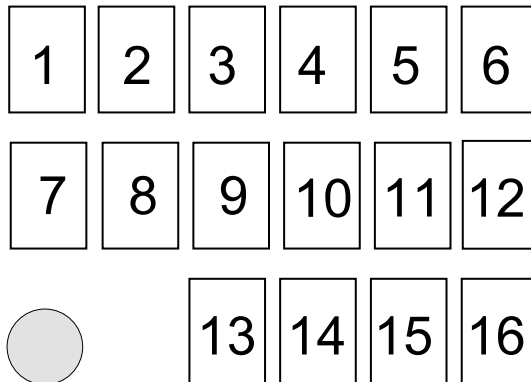
Enlarged drawing in the central part



No. FJ008-Z-R-S1-1.0

TITLE	SOP8J-Z-Reel		
No.	FJ008-Z-R-S1-1.0		
SCALE		QTY.	2,000
UNIT	mm		
SII Semiconductor Corporation			

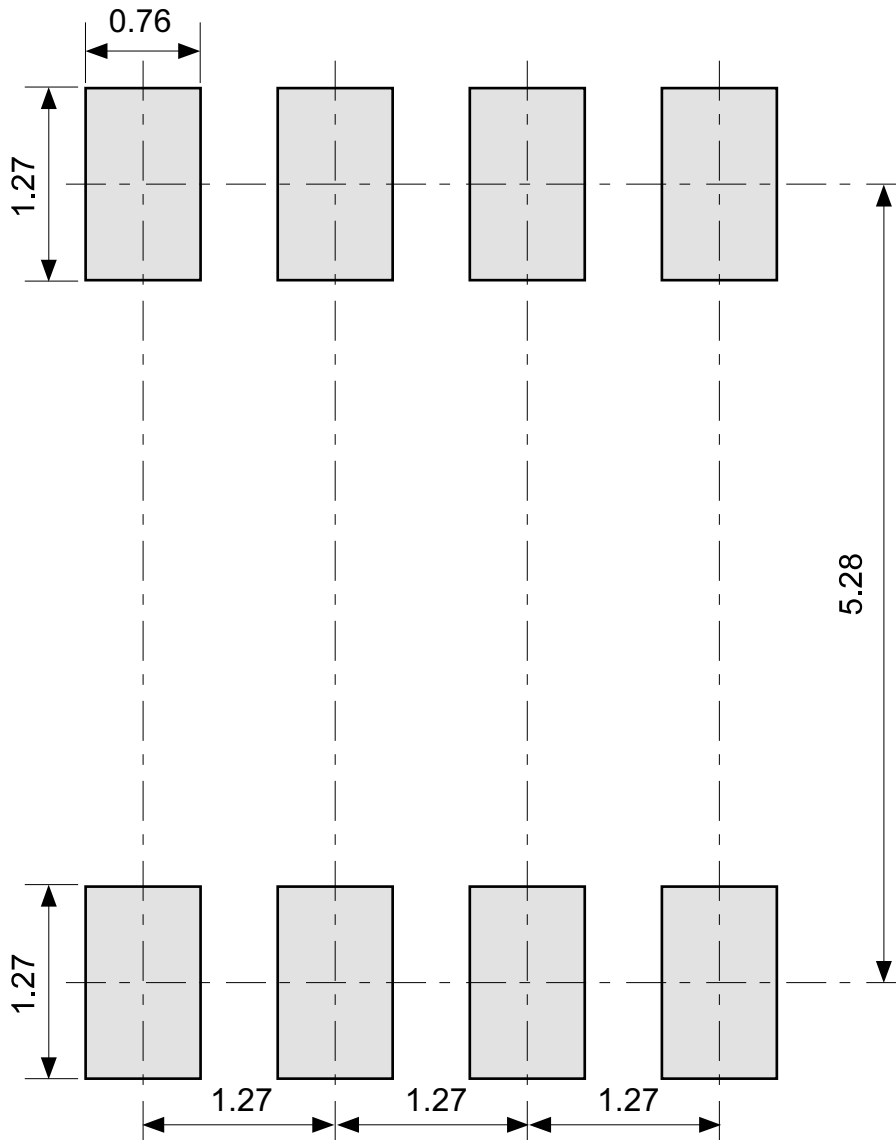
The information herein is subject to change without notice.



- 1 to 9 : Product code
- 10 : Assembly code
- 11 : Year of assembly
- 12 : Month of assembly
- 13 to 16 : Lot No. code
- (1) : 1-pin mark

No. FJ008-A-M-SD-3.1

TITLE	SOP8J-Z-Markings		
No.	FJ008-A-M-SD-3.1		
SCALE			
UNIT		TYPE	LASER
SII Semiconductor Corporation			



No. FJ008-A-L-SD-1.1

TITLE	SOP8J-Z -Land Recommendation
No.	FJ008-A-L-SD-1.1
SCALE	
UNIT	mm
SII Semiconductor Corporation	