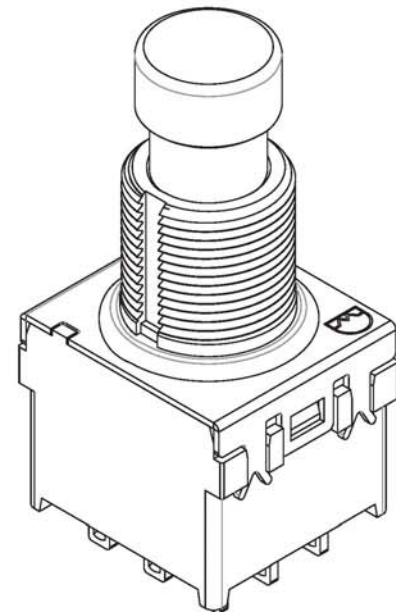


SWITCH FUNCTION		Term. Comm.
ON	ON	2-1,5-4,8-7 ON 2-3,5-6,8-9 ON



SPECIFICATIONS

RATING: DC9V,1A

CONTACT RESISTANCE:30mΩ MAX.

INSULATION RESISTANCE:DC 500V 100MΩ MIN.

DIELECTRIC STRENGTH:500V RMS @SEA LEVEL.

OPERATING FORCE : 3.0±0.8Kgf

OPERATING TEMP : -10°C ~ +70°C

MECHANICAL LIFE:30,000 MAKE-AND-BREAK CYCLES

RoHS & Lead Free

	PART NO.	PART NAME	Q'TY
1	MNU-PA03	M12x0.75 SI NUTS	2
2	NU-7K01	WASHER	1
3	NU-1M09	TOOTH WASHER	1

FILE NAME : HARDWARE-0097

COSLAND COSLAND CO.,LTD.

E-Mail: cosland@cosland.com

	符號	原尺寸	修改後尺寸	變更日期
1	Ⓐ		修正PIN腳號, 對齊KEYWAY為PIN1	AUG-02-2017
2	Ⓑ			
3	Ⓒ			
4	Ⓓ			
5	Ⓔ			

SCALE (比例): 1:1

TOLERANCE (公差):
0.00 mm ± 0.25mm
0.0 mm ± 0.40mm
ANGULAR: ±5°
FILE NAME : FK0004

TITLE 圖名	Pushbutton Switches		SIZE 圖紙	A4	
DWG NO. 圖號	FK3LP20B2C3M1QES-5		UNIT 單位	mm	
REV. 版本	B	DATE 日期	JAN - 19 - 2016	SHEET 張數	1 of 1
CHECKED BY 審核		DRAWN BY 製圖			