

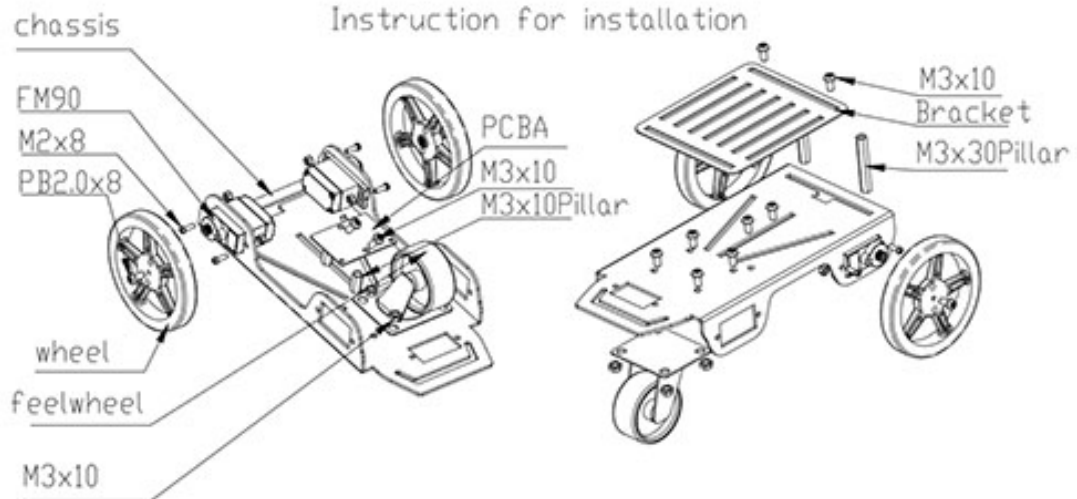
## FEETECH 2WD Mini Robot Mobile Platform Kit FT-MC-002

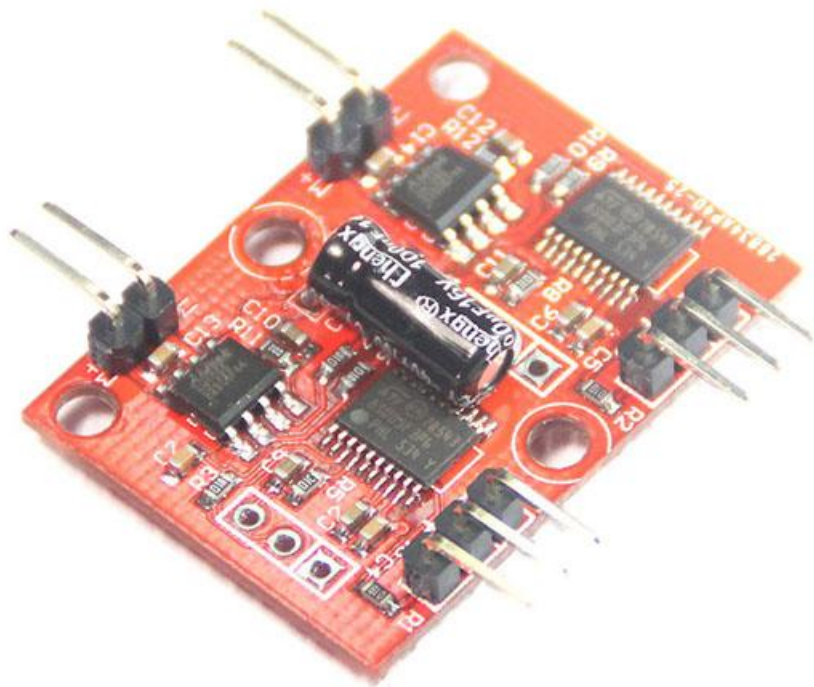
-No completely assembled and without any electronic control part



# FT-MC-002

Instruction for installation





---

## **Description:**

- **Mini Robot Mobile Platform** uses 2 DC motor gear box to drive. The spec the same as FS90R - - High speed up to 100RPM, 1.3kg.cm at 800mA.
- Two plastic wheels are press-fit onto DC motor gear box output gear shaft, and easy to make a nice drive solution for small robots. The wheels have silicone tires and measure **60mm (2.36")** in diameter.
- Can upgrade to 4WD version.
- This Mini Robot Mobile Platform frame make with 5051 aluminum alloy and anodize color (The factory default is red. Can do other color if need. ).
- Mini Robot Mobile Platform can compatible with Arduino controller.
- Easy to add all kinds of sensor and let it to work at your idea.
- This is a good start kit for student.

## **Specifications:**

- Size(L\*W\*H): 170mm\*100mm\*60mm
- Weight: 150g
- Drive: 2WD
- Frame: 1.5mm aluminum alloy structure, light weight and high strength
- Color: Red(other color if need)
- Work voltage: 4.5~6V

## **Package Included:**

- DC motor gear box x 2
- FS90R-W x 2
- Frame x 2 floor
- Universal wheel x 1
- Screw 1 SET
- motor driver controller