



# Application Note

## AN\_560

# Migrating from FT2xxR to FT2xxRN

**Version 1.0**

**Issue Date: 18-10-2022**

This Application Note shows how to migrate from FT232R/FT245R to FT232RN/FT245RN and discusses all hardware and software aspects.

Use of FTDI devices in life support and/or safety applications is entirely at the user's risk, and the user agrees to defend, indemnify, and hold FTDI harmless from any and all damages, claims, suits, or expense resulting from such use.

**Future Technology Devices International Limited (FTDI)**

Unit 1, 2 Seaward Place, Glasgow G41 1HH, United Kingdom

Tel.: +44 (0) 141 429 2777 Fax: + 44 (0) 141 429 2758

Web Site: <http://ftdichip.com>

Copyright © Future Technology Devices International Limited

## **Table of Contents**

<b>1 Introduction .....</b>	<b>2</b>
<b>1.1 Product Summary Comparison .....</b>	<b>2</b>
<b>2 Hardware.....</b>	<b>6</b>
<b>2.1 VCC Supply Improvement.....</b>	<b>6</b>
<b>2.2 Pin Compatibility .....</b>	<b>6</b>
<b>2.3 Clock Source.....</b>	<b>8</b>
2.3.1 Internal Oscillator .....	8
2.3.2 External Crystal .....	8
2.3.3 External Oscillator.....	9
<b>3 Software.....</b>	<b>10</b>
<b>4 Conclusion .....</b>	<b>11</b>
<b>5 Contact Information .....</b>	<b>12</b>
<b>Appendix A – References .....</b>	<b>13</b>
Document References .....	13
Acronyms and Abbreviations.....	14
<b>Appendix B – List of Tables &amp; Figures .....</b>	<b>15</b>
List of Tables.....	15
List of Figures .....	15
<b>Appendix C – Revision History .....</b>	<b>16</b>

## 1 Introduction

To improve our supply efficiency on the popular R-Series, FTDI has launched a new RN-Series which are designed / manufactured according to the current R-Series specification.

The RN-series are drop in pin-compatible replacements for the equivalent R-Series in nearly 100% of all design cases. This document details all hardware and software considerations when migrating to the latest version of the IC (FT232RN/FT245RN).

Please refer to TN\_183 [FT232RN / FT245RN Errata Technical Note](#) which describes the differences.

In this Application Note, FT2xxR denotes the original FT232R/FT245R and FT2xxRN denotes the new FT232RN/FT245RN ICs.

The FT2xxR and FT2xxRN product pages and datasheet links can be found in the [References](#) section.

Table 1.1 shows the part number summary.

Original Part Number	New Part Number	Description
FT232RQ	FT232RNQ	USB to Serial UART Bridge in 32-pin QFN package
FT232RL	FT232RNL	USB to Serial UART Bridge in 28-pin SSOP package
FT245RQ	FT245RNQ	USB to FIFO Bridge in 32-pin QFN package
FT245RL	FT245RNL	USB to FIFO Bridge in 28-pin SSOP package

**Table 1.1 Part Number Summary**

Table 1.2 shows current silicon revisions.

Part Number	Revision
FT232RQ / FT232RL	C
FT245RQ / FT245RL	C
FT232RNQ / FT232RNL	B
FT245RNQ / FT245RNL	B

**Table 1.2 Part Revisions**

The original FT232R/FT245R ICs have a limitation with respect to using the internal oscillator as detailed in the datasheets:

- **The minimum operating voltage VCC must be +4.0V (could use VBUS=+5V) when using the internal clock generator. Operation at +3.3V is possible using an external crystal oscillator.**

This has now been improved with the new FT232RN/FT245RN ICs. If VCC is supplied with 3.3V, the internal oscillator can now be used, simplifying designs further.

The only difference that is not compatible with the FT2xxRN migration is when using an external oscillator. There are no issues when using internal oscillator or external crystal. This is detailed in this document.

### 1.1 Product Summary Comparison

Table 1.3 shows a side-by-side feature comparison of FT232R to FT232RN and Table 1.4 shows a side-by-side feature comparison of FT245R to FT245RN. This easily shows any differences between the ICs.

	FT232R	FT232RN
USB 2.0 Full Speed compatible. Compliant with the USB 2.0 specification	✓	✓
No USB specific firmware programming required	✓	✓
Fully integrated USB termination resistors (27ohm)	✓	✓
Fully integrated clock generation, fully operation w/o external clock.	✓	✓
Optional clock output selection enabling a glue-less interface to external MCU or FPGA(6, 12,24, 48MHz)	✓	✓
Can use External 12MHz Crystal	✓	✓
Can use External 1.8V Clock source	✓	✓
Can use External 3.3V Clock source	✓	✗
Data transfer rates from 300 to 3M baud (RS422, RS485, RS232) at TTL levels	✓	✓
True 5V/3.3V/2.8V/1.8V CMOS drive output and TTL input	✓	✓
128 byte receive buffer and 256 byte transmit buffer	✓	✓
Synchronous and asynchronous bit bang interface options with RD# and WR# strobes	✓	✓
UART interface support for 7 or 8 data bits, 1 or 2 stop bits and odd / even / mark / space / no parity	✓	✓
FIFO receives and transmits buffers for high data throughput	✓	✓
Unique USB FTDIChip-ID™ feature	✓	✓
Device supplied pre-programmed with unique USB serial number	✓	✓
Fully integrated 1024-bit EEPROM storing device descriptors and CBUS I/O configuration, Able to re-write 10K cycles	✓	✓
Configurable CBUS I/O pins, Configurable I/O pin output drive strength 2~8mA	✓	✓
TXDEN -Enable transmit data for RS485	✓	✓
PWREN#-Output is low after the device has been configured by USB, then high during USB suspending mode	✓	✓
TXLED#-Transmit data LED drive: Data from USB Host to FT232R.	✓	✓
RXLED#-Receive data LED drive: Data from FT232R to USB Host.	✓	✓
TX&RXLED#-LED drive – pulses low when transmitting or receiving data via USB.	✓	✓
SLEEP#-Goes low during USB suspend mode	✓	✓
Clock output-CLK48,CLK24,CLK12 ,CLK6	✓	✓
CBitBangI/O-CBUS bit bang mode option	✓	✓
BitBangWRn-Synchronous and asynchronous bit bang mode WR# strobe output	✓	✓
BitBangRDn-Synchronous and asynchronous bit bang mode RD# strobe output	✓	✓

	FT232R	FT232RN
+3.3V to +5.25V Single Supply Operation (using external oscillator)	✓	✓
+3.3V to +3.99V Single Supply Operation (using internal oscillator)	✗	✓
+4.0V to +5.25V Single Supply Operation (using internal oscillator)	✓	✓
Low operating and USB suspend current(50~100uA)	✓	✓
Integrated power-on-reset circuit	✓	✓
+3.3V LDO regulator, with a maximum current of 50mA	✓	✓
VCCIO can connect +1.8V to +5.25V DC and supply to the UART Interface and CBUS group pins	✓	✓
Available in compact Pb-free 28 Pin SSOP and QFN-32 packages (both RoHS compliant).	✓	✓
-40°C to 85°C extended operating temperature range	✓	✓

**Table 1.3 FT232R/FT232RN Part Comparison**

	FT245R	FT245RN
USB 2.0 Full Speed compatible. Compliant with the USB 2.0 specification	✓	✓
No USB specific firmware programming required	✓	✓
Fully integrated USB termination resistors (27ohm)	✓	✓
Fully integrated clock generation, fully operation w/o external clock.	✓	✓
Optional clock output selection enabling a glue-less interface to external MCU or FPGA(6, 12,24, 48MHz)	✓	✓
Can use External 12MHz Crystal	✓	✓
Can use External 1.8V Clock source	✓	✓
Can use External 3.3V Clock source	✓	✗
Data transfer rate to 1 Megabyte / second (D2XX Driver). Data transfer rate to 300 kilobyte / second (VCP Driver).	✓	✓
True 5V/3.3V/2.8V/1.8V CMOS drive output and TTL input	✓	✓
128 byte receive buffer and 256 byte transmit buffer	✓	✓
Synchronous and asynchronous bit bang interface options with RD# and WR# strobes	✓	✓
Simple interface to MCU / PLD / FPGA logic with simple 4-wire handshake interface	✓	✓
FIFO receives and transmits buffers for high data throughput	✓	✓
Unique USB FTDIChip-ID™ feature	✓	✓
Device supplied pre-programmed with unique USB serial number	✓	✓
Fully integrated 1024-bit EEPROM storing device descriptors and CBUS I/O configuration, Able to re-write 10K cycles	✓	✓
Configurable CBUS I/O pins, Configurable I/O pin output drive strength 2~8mA	✓	✓

	<b>FT245R</b>	<b>FT245RN</b>
TXDEN -Enable transmit data for RS485	✓	✓
PWREN#-Output is low after the device has been configured by USB, then high during USB suspending mode	✓	✓
TXLED#-Transmit data LED drive: Data from USB Host to FT232R.	✓	✓
RXLED#-Receive data LED drive: Data from FT232R to USB Host.	✓	✓
TX&RXLED#-LED drive – pulses low when transmitting or receiving data via USB.	✓	✓
SLEEP#-Goes low during USB suspend mode	✓	✓
Clock output-CLK48,CLK24,CLK12 ,CLK6	✓	✓
CBitBangI/O-CBUS bit bang mode option	✓	✓
BitBangWRn-Synchronous and asynchronous bit bang mode WR# strobe output	✓	✓
BitBangRDn-Synchronous and asynchronous bit bang mode RD# strobe output	✓	✓
+3.3V to +5.25V Single Supply Operation (using external oscillator)	✓	✓
+3.3V to +3.99V Single Supply Operation (using internal oscillator)	✗	✓
+4.0V to +5.25V Single Supply Operation (using internal oscillator)	✓	✓
Low operating and USB suspend current(50~100uA)	✓	✓
Integrated power-on-reset circuit	✓	✓
+3.3V LDO regulator, with a maximum current of 50mA	✓	✓
VCCIO can connect +1.8V to +5.25V DC and supply to the UART Interface and CBUS group pins	✓	✓
Available in compact Pb-free 28 Pin SSOP and QFN-32 packages (both RoHS compliant).	✓	✓
-40°C to 85°C extended operating temperature range	✓	✓

**Table 1.4 FT245R/FT245RN Part Comparison**

The FT2xxR and FT2xxRN are fully compliant with the USB 2.0 specification and have been given the USB-IF Test-IDs (TID) according to Table 1.5 below.

	<b>FT232R</b>	<b>FT232RN</b>	<b>FT245R</b>	<b>FT245RN</b>
USB-IF Test-ID (TID)	40770018	6654	40770019	6689

**Table 1.5 USB-IF Test-IDs (TID)**

## 2 Hardware

This section discusses the hardware aspects of the migration.

### 2.1 VCC Supply Improvement

VCC supply for the device core is specified from +3.3V to +5.25V.

FT2xxRN has made a significant improvement with respects to VCC and clock source which would help to simplify some designs further by removing the need for an external crystal or oscillator.

FT2xxR specifies a hardware limitation in the datasheet:

- **The minimum operating voltage VCC must be +4.0V (could use VBUS=+5V) when using the internal clock generator. Operation at +3.3V is possible using an external crystal oscillator.**

Designs which are configured to power the IC with 3.3V to VCC meant that an external clock must be used, adding more external hardware with more expense.

Now FT2xxRN has improved this aspect of the design. Any designs with VCC supply from +3.3V to +5.25V can use the internal clock source! This can simplify existing designs that were affected by the original FT2xxR limitation.

### 2.2 Pin Compatibility

As mentioned in the introduction, the ICs are drop in pin compatible. This means that most hardware designs require no changes.

Figure 2.1 to

Figure 2.4 **FT245RQ and FT245RNQ Pin Out** shows that there are no differences on a side-by-side comparison.

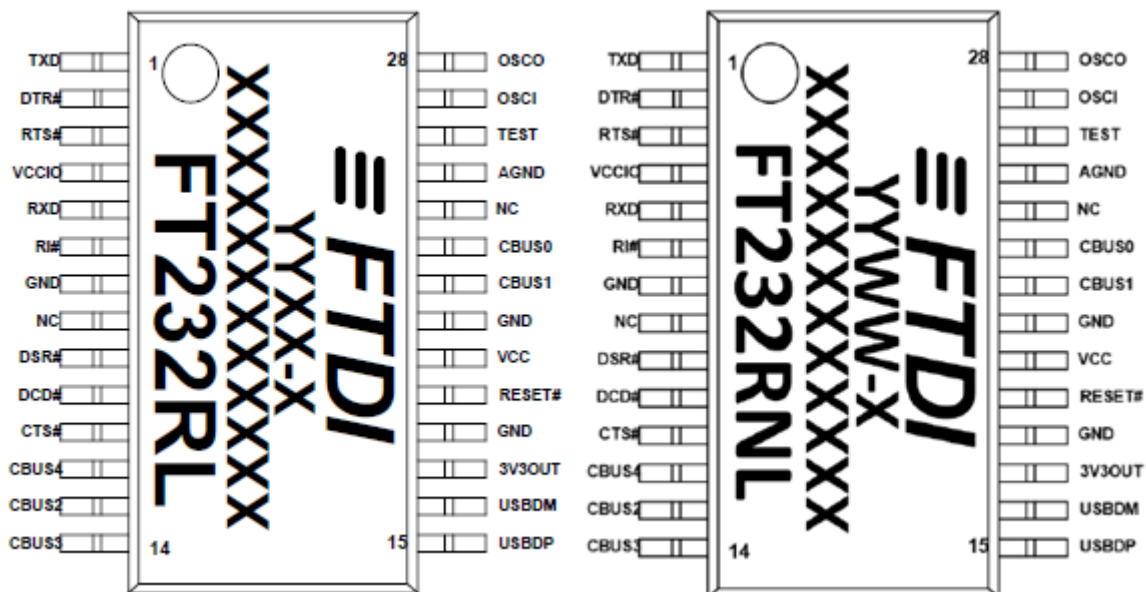
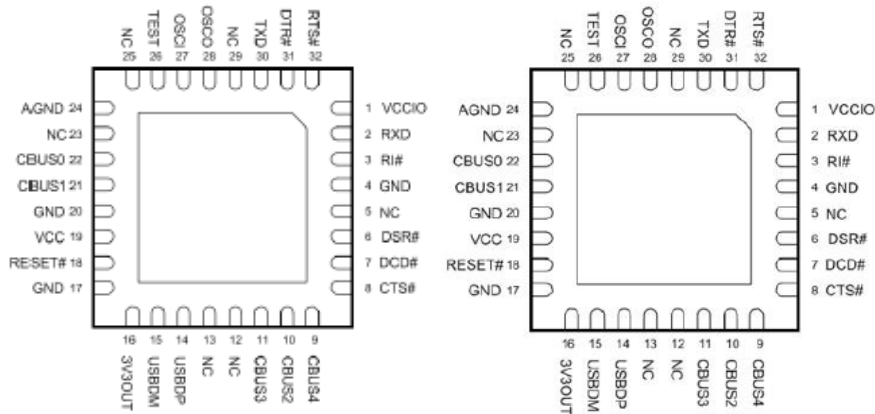
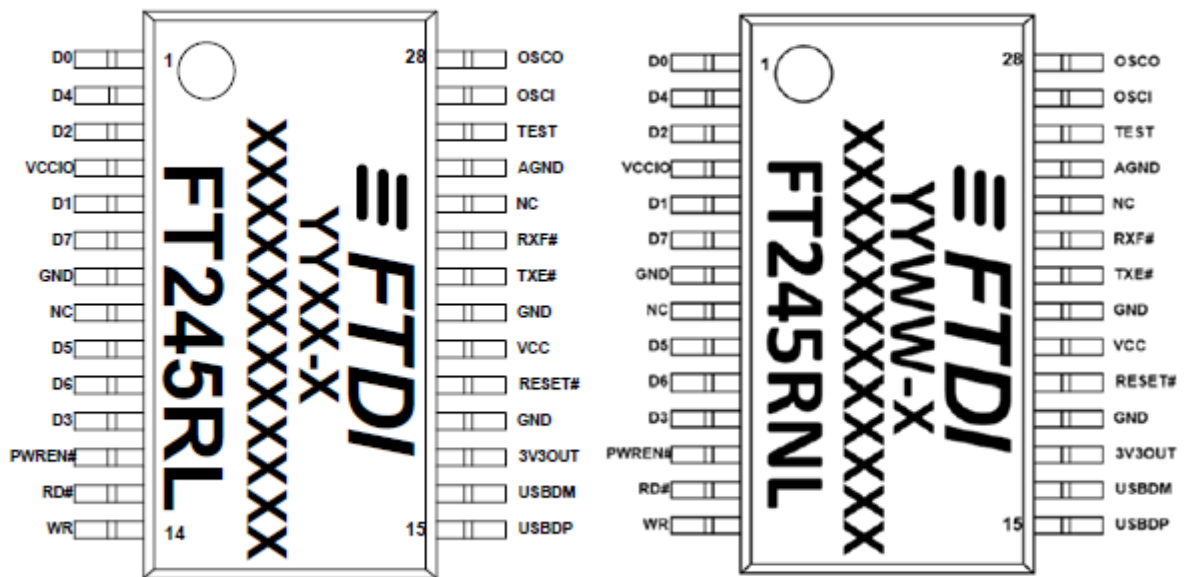


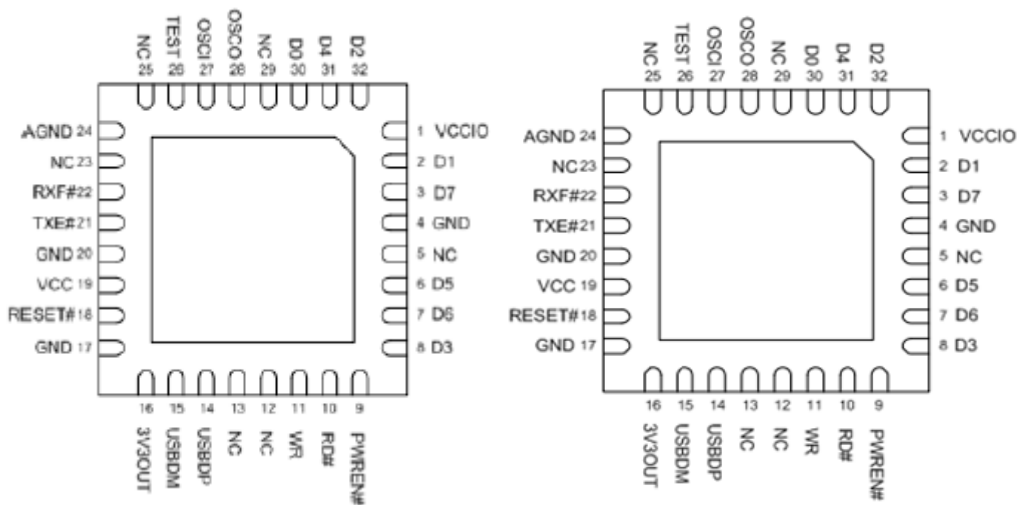
Figure 2.1 FT232RL and FT232RLN Pin Out



**Figure 2.2 FT232RQ and FT232RNQ Pin Out**



**Figure 2.3 FT245RL and FT245RNL Pin Out**



**Figure 2.4 FT245RQ and FT245RNQ Pin Out**



## 2.3 Clock Source

The FT2xxR and FT2xxRN have three clock configuration possibilities to provide 12Mhz to the device:

- Internal Oscillator (default)
- External Crystal
- External Oscillator

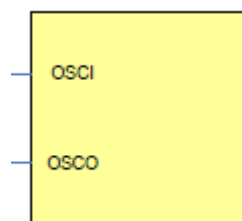
### 2.3.1 Internal Oscillator

There are **no differences** if existing FT2xxR designs are using the internal oscillator.

These designs can easily migrate to FT2xxRN with **no hardware changes required**.

This is the default EEPROM configuration on both FT2xxR and FT2xxRN ICs.

Figure 2.5 shows that there are no external connections on the OSCI and OSCO pins.



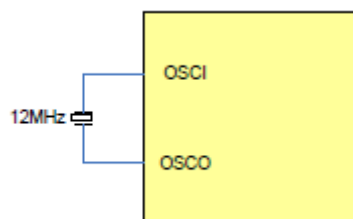
**Figure 2.5 Internal Oscillator**

### 2.3.2 External Crystal

There are **no differences** if existing FT2xxR designs are using an external crystal.

These designs can easily migrate to FT2xxRN with **no hardware changes required**.

Figure 2.6 shows an example of this configuration but note that it doesn't include all detail like the crystal load capacitors to keep this simple.

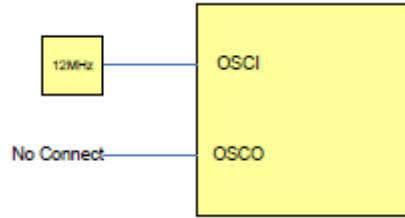


**Figure 2.6 External Crystal**

**Note:** The EEPROM configuration is updated to reflect this hardware configuration. [FT\\_PROG](#) is used to change the EEPROM configuration. More details can be found in [AN\\_100 Using the FT232R/FT245R with an External Crystal or Oscillator](#).

### 2.3.3 External Oscillator

Figure 2.7 shows an example of a hardware design which uses an external oscillator.



**Figure 2.7 External Crystal Clock Source**

TN\_183 [FT232RN / FT245RN Errata Technical Note](#) details a hardware difference if the existing design is using an external oscillator.

**Only with this configuration, a change would be required.**

Table 2.1 shows the difference with the OSCI input voltage.

	FT2xxR	FT2xxRN
OSCI input voltage (max)	3.63V	1.98V

**Table 2.1 OSCI input voltage comparison**

If existing FT2xxR designs are using an external oscillator with a voltage above 1.98V then those designs in particular would need to change. The change options are:

- Switch to the internal oscillator.
- Switch to using an external crystal.
- Adjust the external oscillator with an input level below 1.98V.

**Note:** The EEPROM configuration is updated to reflect this hardware configuration. [FT\\_PROG](#) is used to change the EEPROM configuration. More details can be found in [AN\\_100 Using the FT232R/FT245R with an External Crystal or Oscillator](#).

### 3 Software

No software changes are required when migrating from FT2xxR to FT2xxRN.

The same application software can be used.

The same drivers can be used. The latest driver versions can be found on the FTDI website:  
<https://ftdichip.com/drivers/>

## 4 Conclusion

This document has shown how to migrate from FT2xxR to FT2xxRN.

The only case when a hardware change is required is if the current FT2xxR design uses an external oscillator with a voltage above 1.98V.

No hardware changes are required if the current FT2xxR design uses the internal oscillator or external crystal.

Improvements to the FT2xxRN design has also removed the requirement for an external clock if VCC was below 4V so existing designs can simplify further.

No software or driver changes are required.

---

## 5 Contact Information

### Head Office – Glasgow, UK

Future Technology Devices International Limited  
Unit 1, 2 Seaward Place, Centurion Business Park  
Glasgow G41 1HH  
United Kingdom  
Tel: +44 (0) 141 429 2777  
Fax: +44 (0) 141 429 2758

E-mail (Sales) [sales1@ftdichip.com](mailto:sales1@ftdichip.com)  
E-mail (Support) [support1@ftdichip.com](mailto:support1@ftdichip.com)  
E-mail (General Enquiries) [admin1@ftdichip.com](mailto:admin1@ftdichip.com)

### Branch Office – Tigard, Oregon, USA

Future Technology Devices International Limited  
(USA)  
7130 SW Fir Loop  
Tigard, OR 97223-8160  
USA  
Tel: +1 (503) 547 0988  
Fax: +1 (503) 547 0987

E-Mail (Sales) [us.sales@ftdichip.com](mailto:us.sales@ftdichip.com)  
E-Mail (Support) [us.support@ftdichip.com](mailto:us.support@ftdichip.com)  
E-Mail (General Enquiries) [us.admin@ftdichip.com](mailto:us.admin@ftdichip.com)

### Branch Office – Taipei, Taiwan

Future Technology Devices International Limited  
(Taiwan)  
2F, No. 516, Sec. 1, NeiHu Road  
Taipei 114  
Taiwan, R.O.C.  
Tel: +886 (0) 2 8797 1330  
Fax: +886 (0) 2 8751 9737

E-mail (Sales) [tw.sales1@ftdichip.com](mailto:tw.sales1@ftdichip.com)  
E-mail (Support) [tw.support1@ftdichip.com](mailto:tw.support1@ftdichip.com)  
E-mail (General Enquiries) [tw.admin1@ftdichip.com](mailto:tw.admin1@ftdichip.com)

### Branch Office – Shanghai, China

Future Technology Devices International Limited  
(China)  
Room 1103, No. 666 West Huaihai Road,  
Shanghai, 200052  
China  
Tel: +86 21 62351596  
Fax: +86 21 62351595

E-mail (Sales) [cn.sales@ftdichip.com](mailto:cn.sales@ftdichip.com)  
E-mail (Support) [cn.support@ftdichip.com](mailto:cn.support@ftdichip.com)  
E-mail (General Enquiries) [cn.admin@ftdichip.com](mailto:cn.admin@ftdichip.com)

### Web Site

<http://ftdichip.com>

### Distributor and Sales Representatives

Please visit the [Sales Network](#) page of the [FTDI Web site](#) for the contact details of our distributor(s) and sales representative(s) in your country.

System and equipment manufacturers and designers are responsible to ensure that their systems, and any Future Technology Devices International Ltd (FTDI) devices incorporated in their systems, meet all applicable safety, regulatory and system-level performance requirements. All application-related information in this document (including application descriptions, suggested FTDI devices and other materials) is provided for reference only. While FTDI has taken care to assure it is accurate, this information is subject to customer confirmation, and FTDI disclaims all liability for system designs and for any applications assistance provided by FTDI. Use of FTDI devices in life support and/or safety applications is entirely at the user's risk, and the user agrees to defend, indemnify, and hold harmless FTDI from any and all damages, claims, suits, or expense resulting from such use. This document is subject to change without notice. No freedom to use patents or other intellectual property rights is implied by the publication of this document. Neither the whole nor any part of the information contained in, or the product described in this document, may be adapted, or reproduced in any material or electronic form without the prior written consent of the copyright holder. Future Technology Devices International Ltd, Unit 1, 2 Seaward Place, Centurion Business Park, Glasgow G41 1HH, United Kingdom. Scotland Registered Company Number: SC136640

## Appendix A – References

### Document References

TN\_183 [FT232RN / FT245RN Errata Technical Note](#)  
AN\_100 [Using the FT232R/FT245R with an External Crystal or Oscillator](#)  
[FT\\_PROG](#)  
<https://ftdichip.com/drivers/>

New FT2xxRN Product Pages:

<https://ftdichip.com/products/ft232rng/>  
<https://ftdichip.com/products/ft232rnl/>  
<https://ftdichip.com/products/ft245rng/>  
<https://ftdichip.com/products/ft245rnl/>

New FT2xxRN Datasheets:

[FT232RN Datasheet](#)  
[FT245RN Datasheet](#)

Original FT2xxR Product Pages:

<https://ftdichip.com/products/ft232rg/>  
<https://ftdichip.com/products/ft232rl/>  
<https://ftdichip.com/products/ft245rg/>  
<https://ftdichip.com/products/ft245rl/>

Original FT2xxRN Datasheets:

[FT232R Datasheet](#)  
[FT245R Datasheet](#)

## Acronyms and Abbreviations

Terms	Description
CMOS	Complementary Metal Oxide Semiconductor
EEPROM	Electrically Erasable Programmable Read Only Memory
FIFO	First In First Out
ICs	Integrated Circuits
LDO	Low-Dropout Regulator
TTL	Transistor-Transistor Logic
UART	Universal Asynchronous Receiver Transmitter
USB	Universal Serial Bus

## Appendix B – List of Tables & Figures

### List of Tables

Table 1.1 Part Number Summary .....	2
Table 1.2 Part Revisions.....	2
Table 1.3 FT232R/FT232RN Part Comparison.....	4
Table 1.4 FT245R/FT245RN Part Comparison.....	5
Table 1.5 USB-IF Test-IDs (TID) .....	5
Table 2.1 OSCI input voltage comparison.....	9

### List of Figures

Figure 2.1 FT232RL and FT232RLN Pin Out.....	6
Figure 2.2 FT232RQ and FT232RNQ Pin Out .....	7
Figure 2.3 FT245RL and FT245RNL Pin Out.....	7
Figure 2.4 FT245RQ and FT245RNQ Pin Out .....	7
Figure 2.5 Internal Oscillator .....	8
Figure 2.6 External Crystal .....	8
Figure 2.7 External Crystal Clock Source.....	9



## Appendix C – Revision History

Document Title: AN\_560 Migrating from FT2xxR to FT2xxRN  
Document Reference No.: FT\_001543  
Clearance No.: FTDI#576  
Product Page: <https://ftdichip.com/product-category/products/ic/>  
Document Feedback: [Send Feedback](#)

Revision	Changes	Date
1.0	Initial Release	18-10-2022