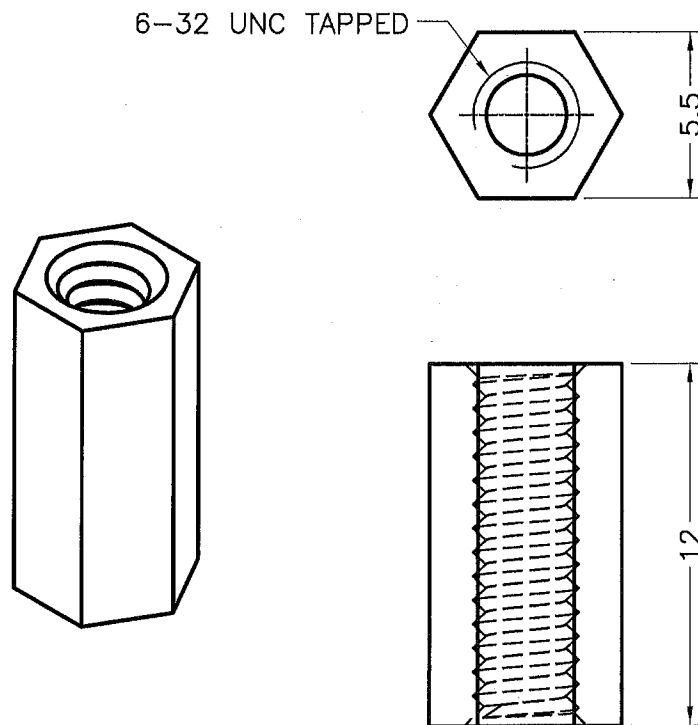

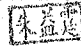
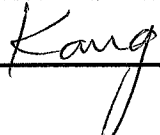


| DIM.         | TOL. |
|--------------|------|
| L ≤ 5        | ±0.2 |
| 5 < L ≤ 20   | ±0.3 |
| 20 < L ≤ 40  | ±0.4 |
| 40 < L ≤ 60  | ±0.5 |
| 60 < L ≤ 100 | ±0.8 |
| ABOVE 100    | ±1.0 |

| REVISIONS |             |      |    |
|-----------|-------------|------|----|
| REV       | DESCRIPTION | DATE | BY |
|           |             |      |    |
|           |             |      |    |



NOTE: All measurement does not include gate which raises under 0.3mm.

|  |           |                |                  |                                      |   |
|--|-----------|----------------|------------------|--------------------------------------|---|
|  <p>康揚企業股份有限公司<br/>KANG YANG HARDWARE ENTERPRISE CO., LTD.<br/>康揚塑膠(東莞)有限公司<br/>KANG YANG PLASTIC(DONG GUAN) CO., LTD.<br/>康哲電腦配件(吳江)有限公司<br/>KANG CHE COMPUTER COMPONENTS(WUJIANG) CO., LTD.</p> |           | TITLE          | THREADED SPACER  | SPEC. DWG.                           |   |
|  |           | MATERIAL       | NYLON 66 UL94V-2 | DATE                                 | 2007.04.18  |
|  |           | FINISH         |                  | DRAWN                                | BUNNY   |
|  |           | COLOR          | NATURAL          | CHECK                                |  |
| PART NUMBER  | HPS632-12 | DRAWING NUMBER | HPS632-12        | UNLESS OTHERWISE SPECIFIED TOLERANCE | SEE ABOVE   |
| SIZE   | A4        | SCALE          | 4:1              | UNIT                                 | mm  |
|  |           | REV            | B                | APPROVED                             |  |