



# EJ19-271TS B

Performance parameters

Rated operating voltage: 5V~12V

Output working current: 150mA Max

Output mode: NPN

Output type :NO

Protection grade: IP67

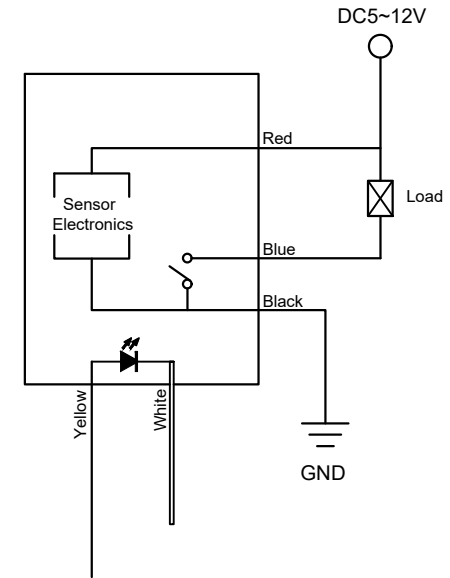
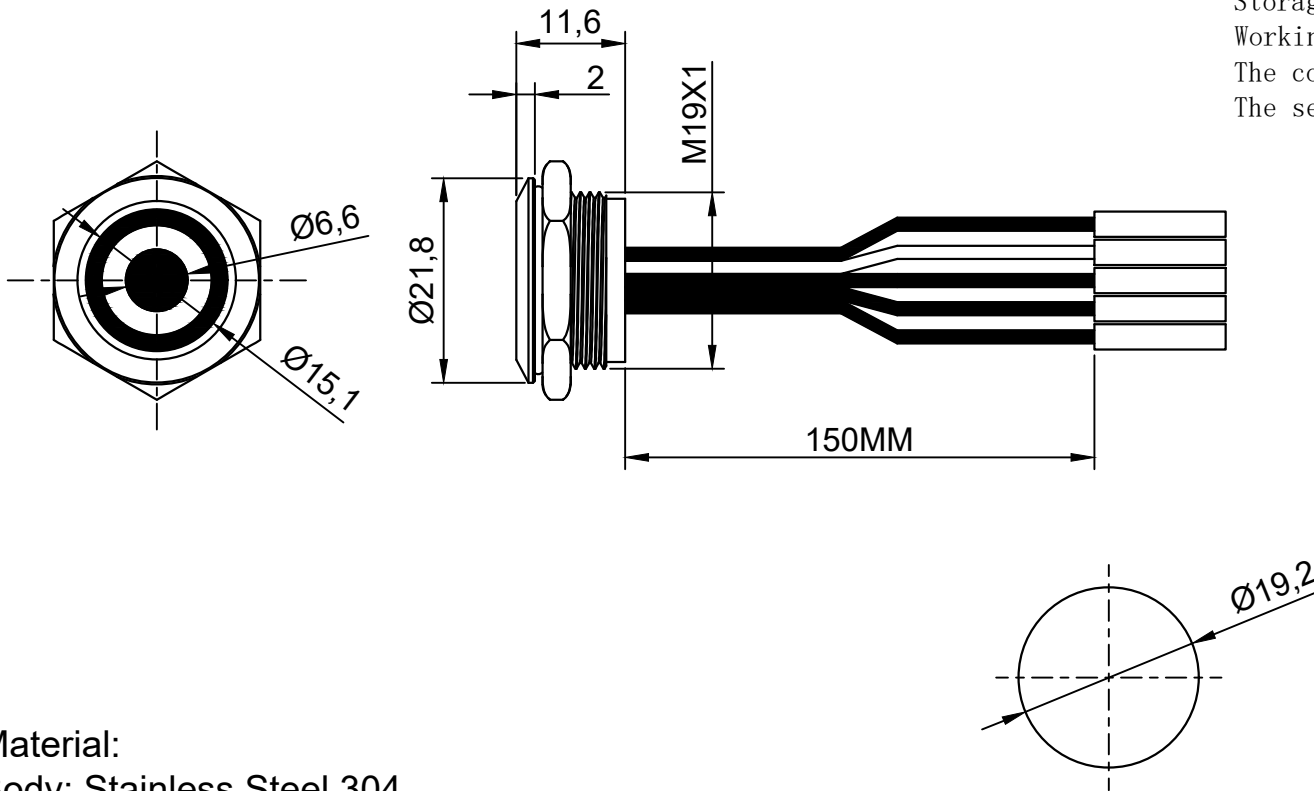
Working temperature: - 25 °C ~ + 55 °C (no icing)

Storage temperature: - 40 °C ~+ 70 °C (no icing)

Working humidity: 40~85% RH (no frosting)

The color of the lamp : blue

The sensing distance range is 4CM±1CM



Material:  
 Body: Stainless Steel 304  
 NUT: Copper Plated Ni  
 Button: Stainless Steel 316

Mounting hole

Circuit diagram

				公差 TOLERANCES	.X+0.3	.XX±0.15	角度 ANGLE	±1°	单位	DIMENSION UNIT	mm.
				版本	AO	比例尺	1:1	日期	2019.10.11	品名	TITLE
				VERSION		SCALE		DATE		图号	DRAWING NO
AO	新发行	2019.10.11	N/A	核准		核对		绘图		EJ19-271TS	
版本 VER.	变更说明 CHANGE DESCRIPTION	日期 DATE	ECN NO.	APPROVED BY		CHECKED BY		DRAWN BY			