



温州金宏电器有限公司

WENZHOU JINHONG ELECTRICAL APPLIANCE CO., LTD

EJ19-271TS R

Performance parameters

Rated operating voltage: 5V~12V

Output working current: 150mA Max

Output mode: NPN

Output type: NO

Protection grade: IP67

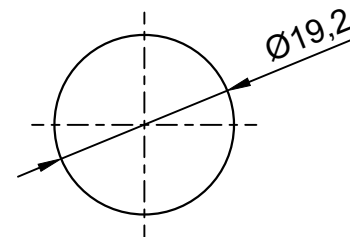
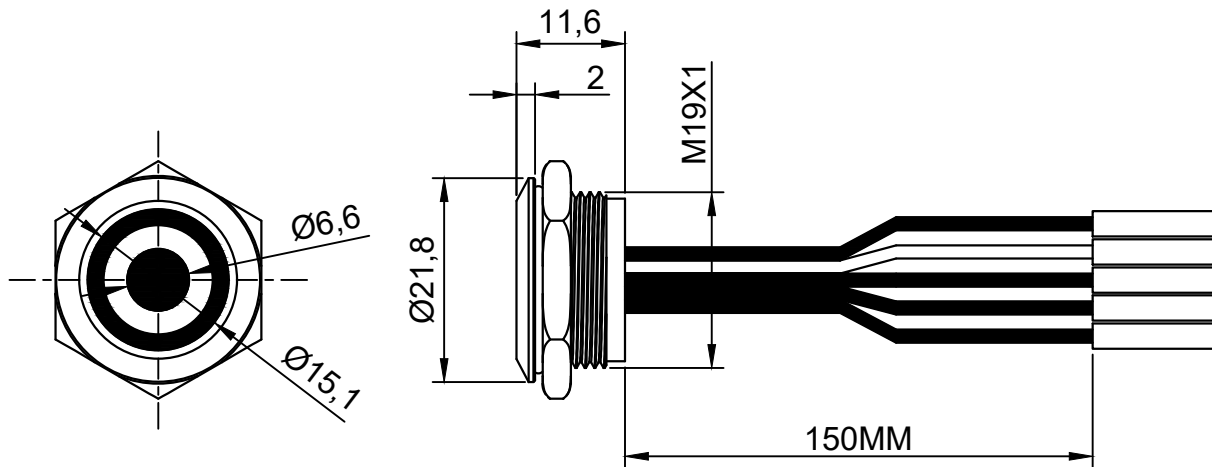
Working temperature: - 25 °C ~ + 55 °C (no icing)

Storage temperature: - 40 °C ~+ 70 °C (no icing)

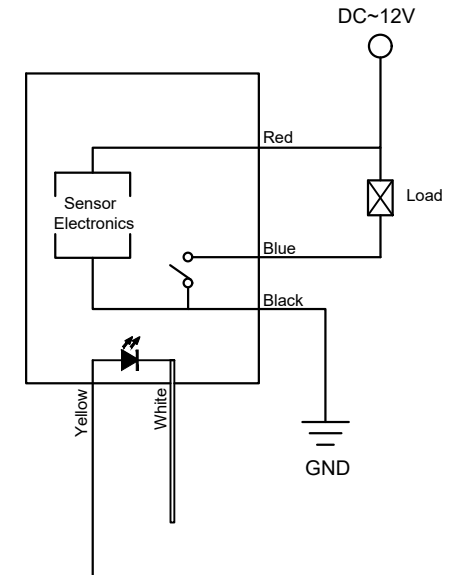
Working humidity: 40~85% RH (no frosting)

The color of the lamp : red

The sensing distance range is 4CM±1CM



Mounting hole



Circuit diagram

Material:

Body: Stainless Steel 304

NUT: Copper Plated Ni

Button: Stainless Steel 316

| | | | | 公差 TOLERANCES | .X+0.3 | .XX±0.15 | 角度 ANGLE | ±1° | 单位 | DIMENSION UNIT | mm. |
|---------|-------------------------|------------|---------|---------------|--------|------------|----------|----------|------------|----------------|------------|
| | | | | 版本 | AO | 比例尺 | 1:1 | 日期 | 2019.10.11 | 品名 | 图号 |
| | | | | VERSION | | SCALE | | DATE | | TITLE | DRAWING NO |
| AO | 新发行 | 2019.10.11 | N/A | 核准 | | 核对 | | 绘图 | | EJ19-271TS | |
| 版本 VER. | 变更说明 CHANGE DESCRIPTION | 日期 DATE | ECN NO. | APPROVED BY | | CHECKED BY | | DRAWN BY | | | |