



Supertech ELECTRONIC CO., LTD.

客戶名稱

Customer -

規格型號

Model: JH16T2A103L20KC

General 一般事項

使用溫度範圍 Operating temperature	-10 °C ~ +70 °C
手工焊接 Manual soldering	300 °C Max 3sec

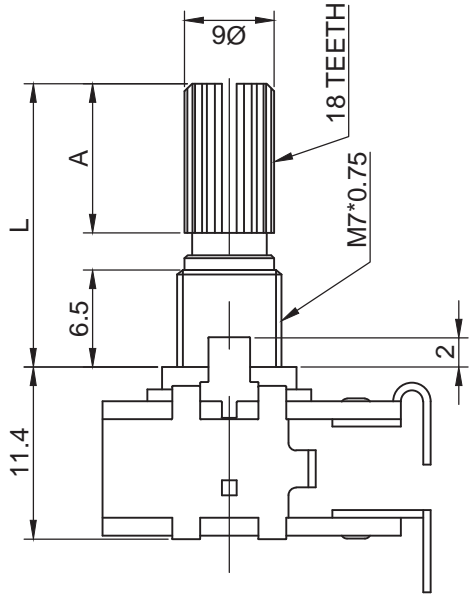
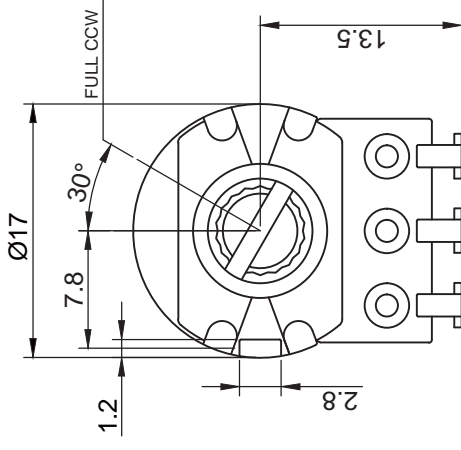
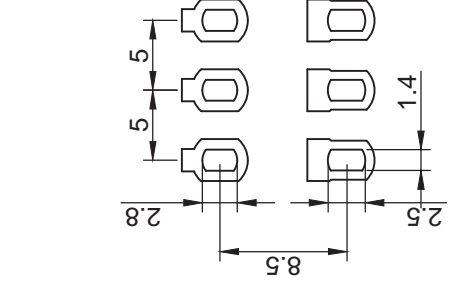
Electrical Characteristics 電氣特性

總阻值(R) Total resistance	10K Ω
總阻值容許誤差 Resistance tolerance	± 20 %
阻值線性 Resistance taper	15A
摺動雜音 Sliding noise	Less than 47 mV
殘留阻值 Residual resistance	≤20Ω (R>10K) ≤10Ω (R≤10K)
定格電力 Rated power(W)	Linear(B)taper: 0.125W Other taper: 0.06W
額定電壓 Rated voltage(V)	$E = \sqrt{P \cdot R}$ E : Rated voltage 額定電壓 (V) P : Power rating 額定電力 (W) R : Nominal total resistance 公稱全阻抗值 (Ω) 當額定電壓超過最高使用電壓的時候，最高使用電壓即為額定電壓 When the rated voltage exceeds the maximum operating voltage, the maximum operating Voltage shall be the rated voltage.
最高使用電壓 Max. operating voltage	Linear(B)taper: 200V Other taper: 150V
絕緣阻抗 Insulation resistance	More than 100 MΩ at DC 500 V
耐電壓 Withstand voltage	1 Minute at AC 500 V
相互偏差 Gang error	-40~0dB≤3dB

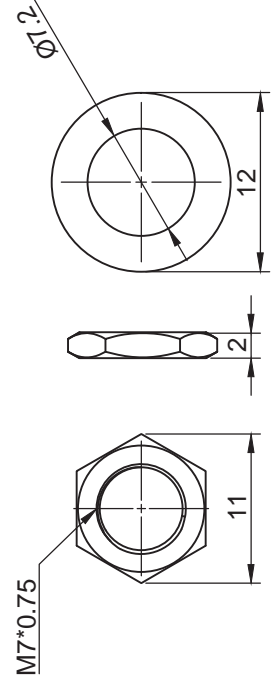
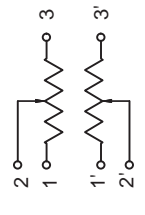
Mechanical Characteristics 機械特性

全回轉角度 Total rotational angle	300 °±5 °
全回扭力 Rotational torque	30~200 gf.cm
C.C 扭力 C.C torque	<input type="checkbox"/> 50~350gf.cm
全回轉止強度 Rotational stopper strength	6 kgf.cm max.
軸推拉強度 Shaft push-pull strength	7 kgf.cm max.
回轉壽命 Rotational life	15,000 Cycles

核准 Approval	審核 Auditing	校對 Checked	製作 Projected
			



Circuit



NUT

T=0.5
WASHER

N = 6.5mm						TOLERANCE			
Shaft Type	L	10	15	20	25	30	35	UNEDR 10	± 0.3
KC	A	2.2	6	10	12	12	12	10 ~ 100	± 0.5
KC/CI	A		6	10				OVER 100	± 0.8



Supertech ELECTRONIC CO., LTD.

MODEL : R16T2-B10K L-20KC/CI

APPROVAL BY: **工程部**
'21.01.12
徐珮敏

CHECK BY: **品管部**
'21.01.12
宋娟娟

MADE BY: **工程部**
'21.01.12
周昶秀

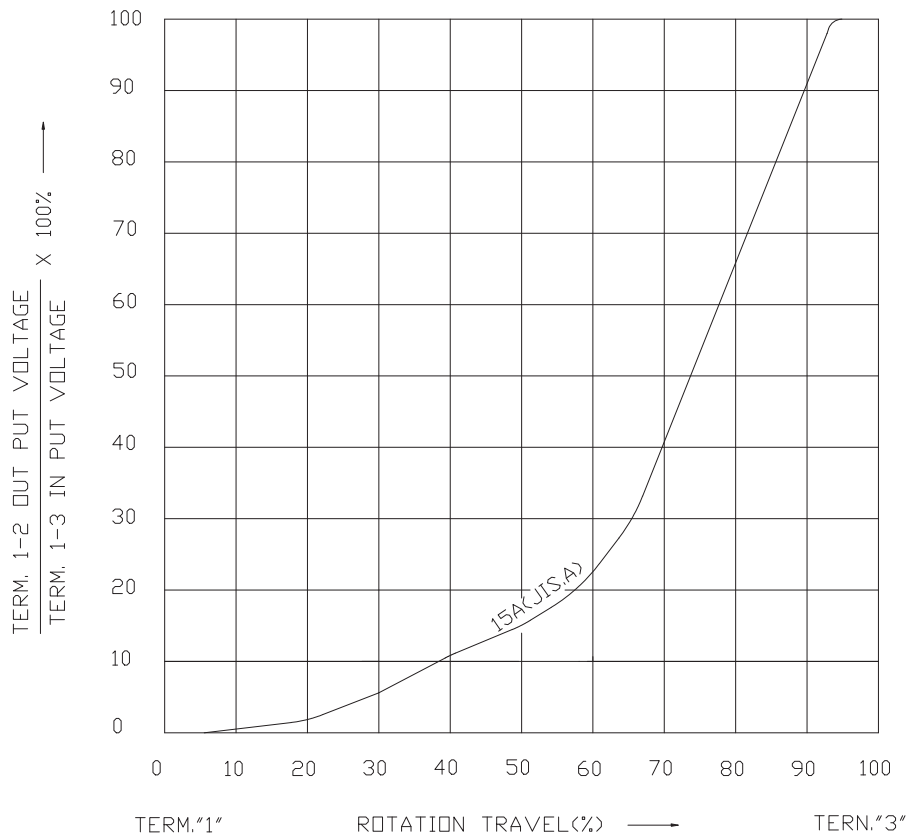
CUSTOMER CONFIRM:

UNT	mm	NO	
SCALE	2 : 1	DATE	
EDITION	1.0		

STANDARD RESISTANCE TAPER (電位器専用)

Rotary, Slide, Equalizer & Trimmer (only apply to potentiometer)

TAPERS A SERIES



15A