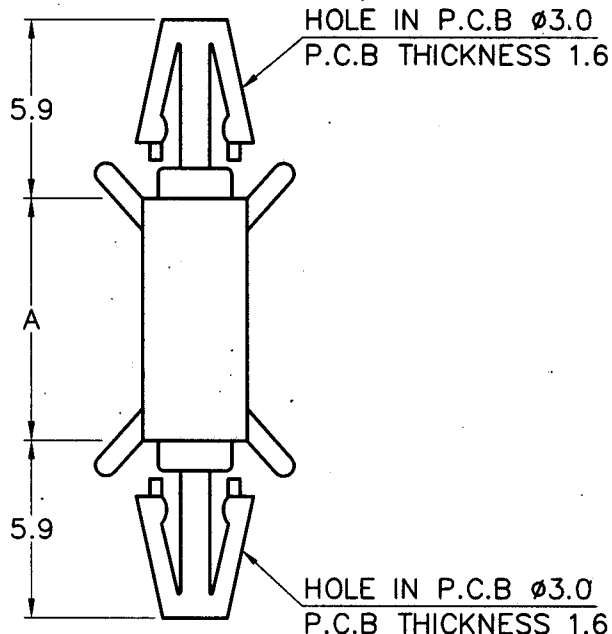


成型尺寸	公差
5mm 以下	±0.2
5~20mm	±0.3
20~40mm	±0.4
40~60mm	±0.5
60~100mm	±0.8
100mm 以上	±1.0

REVISIONS			
REV	DESCRIPTION	DATE	BY



PART NO.	A
LCA-6	6.3
LCA-8	8.0
LCA-10	10.0
LCA-12	12.7

QMF22 February 13, 1996
Component - Plastics

E I DUPONT DE NEMOURS & CO INC.
DUPONT POLYMERS, ENGINEERING POLYMERS
NYLON RESINS PO BOX 80713, CHESTNUT RUN
PLAZA, WILMINGTON DE 19880

E41938 (M)
(A card)

Mtl Deg	Col	Min Thk mm	UL94 Flame Class	Elec	RTI Mech with Imp	w/o Imp	H W I	H A I	H V T	D 4 9 5	C T I
Polyamide, Type 66 nylon (PA66), designated "Zytel", furnished in the form of pellets.											
132F+	All	0.71	94V-2	125	65	65	4	0	—	—	—
133L+, 135F+		1.5	94V-2	125	75	85	3	0	0	—	—
		3.0	94V-2	125	75	85	2	0	0	6	0
		6.0	94V-2	125	75	85	2	0	0	—	—
→ 101(#2)+, 101F+	All	0.71	94V-2	125	65	65	4	0	—	—	—
101L+, E101L+		1.5	94V-2	125	75	85	3	0	0	—	—
E101(#1)+		3.0	94V-2	125	75	85	2	0	0	6	0
		6.0	94V-2	125	75	85	2	0	0	—	—

Reports: August 30, 1968; December 2, 1992.

Replaces E41938A dated July 24, 1995.
324299147 H7047 Underwriters Laboratories Inc.®

(Cont. on A001 card)
DJJ/0005183

<p>康揚企業股份有限公司 KANG YANG HARDWARE ENTERPRISE CO., LTD. 東莞康揚塑膠五金電子廠 DONG GUAN KANG YANG PLASTIC HARDWARE COMPANY 康哲電腦配件(吳江)有限公司 KANG CHE COMPUTER COMPONENTS(WUJIANG) CO.,LTD.</p>				TITLE	PC板間隔柱	產品規格圖面					
				MATERIAL	NYLON 66 UL94V-2	DATE	1997.07.10				
				FINISH		DRAWN					
PART NUMBER	SEE ABOVE	DRAWING NUMBER	LCA-H	COLOR	NATURAL	CHECK					
SIZE	A4	SCALE	NONE	UNIT	mm	REV	A	UNLESS OTHERWISE SPECIFIED TOLERANCE	SEE ABOVE	APPROVED	