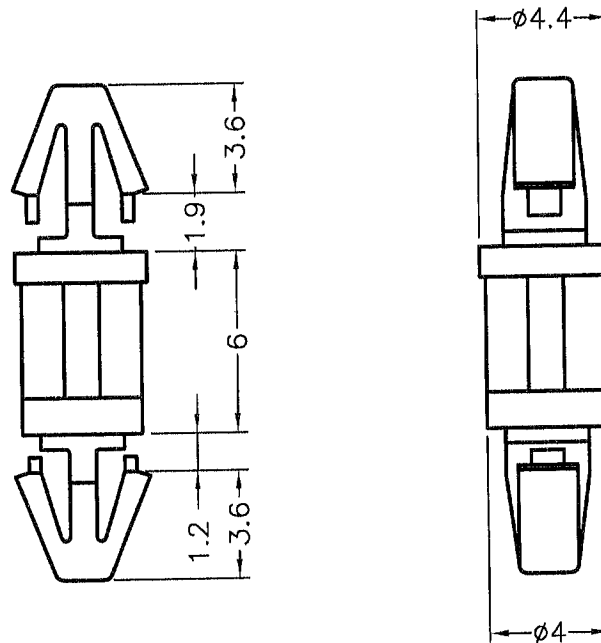


DIM.	TOL
5mm DOWN	±0.2
5~20mm	±0.3
20~40mm	±0.4
40~60mm	±0.5
60~100mm	±0.8
100mm UP	±1.0


REVISIONS			
REV	DESCRIPTION	DATE	BY

HOLE IN P.C.B:  $\phi 3.0$   
P.C.B THICKNESS 1.2~1.7



HOLE IN P.C.B:  $\phi 3.0$   
P.C.B THICKNESS 0.8~1.0

NOTE: All measurement does not include gate which raises under 0.3mm.

 康揚企業股份有限公司 KANG YANG HARDWARE ENTERPRISE CO., LTD. 康揚塑膠(東莞)有限公司 KANG YANG PLASTIC(DONG GUAN) CO., LTD. ISO 9001 ISO 14001 QC 080000 康哲電腦配件(吳江)有限公司 KANG CHE COMPUTER COMPONENTS(WUJIANG) CO., LTD.		TITLE	SPACER SUPPORT	TITLE	SPEC. DWG.
		MATERIAL	NYLON 66 UL94V-2	DATE	2004.07.01
PART NUMBER		HARDNESS	DRAWN	Linda	
LCV-6		COLOR	NATURAL	CHECK	
DRAWING NUMBER		UNLESS OTHERWISE SPECIFIED TOLERANCE	SEE ABOVE	APPROVED	
LCV-6				Kang	
SIZE	SCALE	UNIT	REV		
A4	4:1	mm	A		