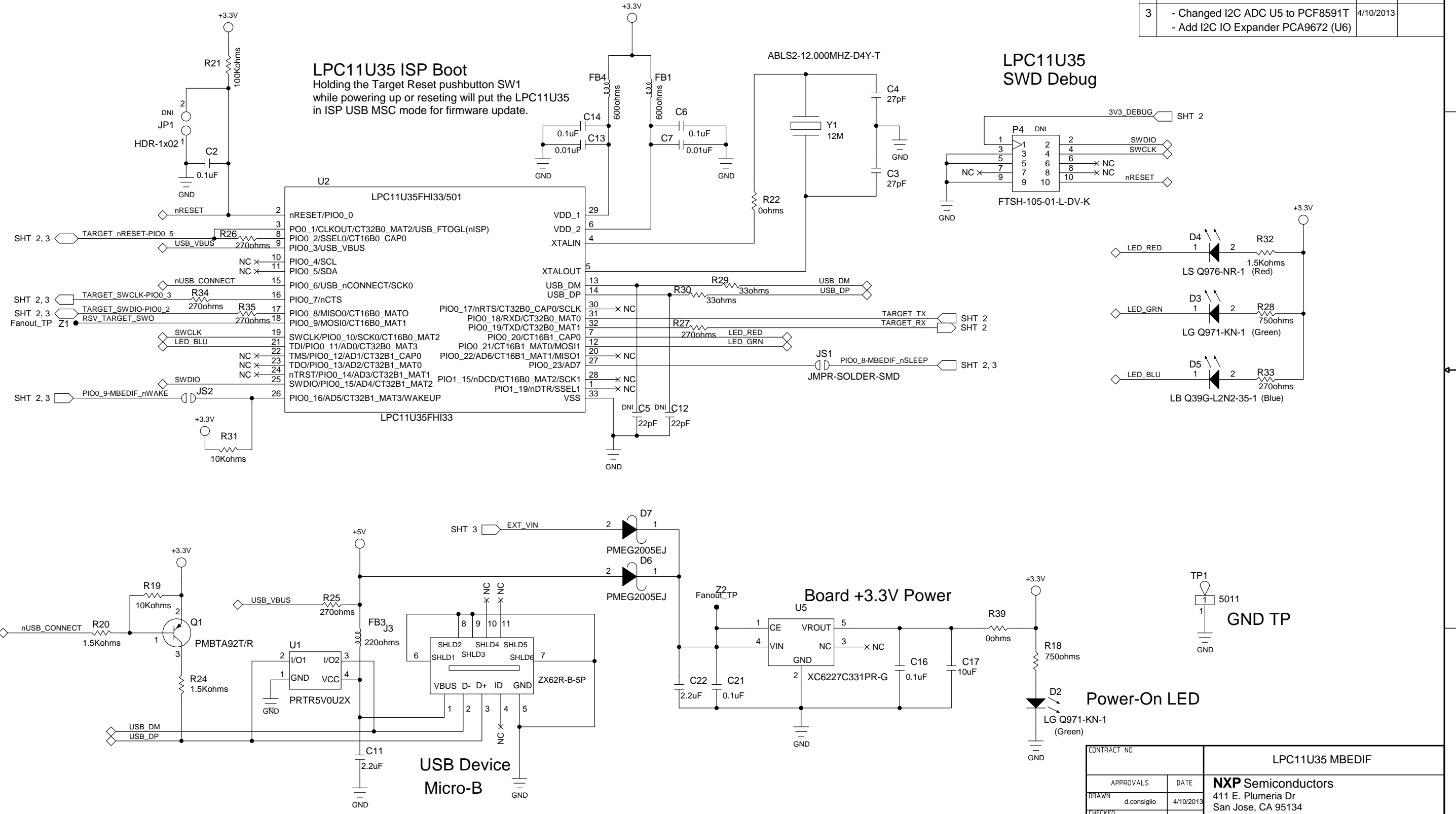


参考資料

REVISIONS			
REV	DESCRIPTION	DATE	APPROVED
.1	- Add external PU for nRESET LPC812, LPC11U35; - Add Serial Interface 2x7 0.050" hdr; - Add PCA9691 4-Chan ADC;	12/19/2012	
1	Re-order RefDes	1/2/2013	
2	Corrected P1 p/n FTSH-107-01-L-DV-K	1/30/2013	
3	- Changed I2C ADC U5 to PCF8591T - Add I2C IO Expander PCA9672 (U6)	4/10/2013	

LPC11U35 ISP Boot
Holding the Target Reset pushbutton SW1 while powering up or resetting will put the LPC11U35 in ISP USB MSC mode for firmware update.

LPC11U35 SWD Debug



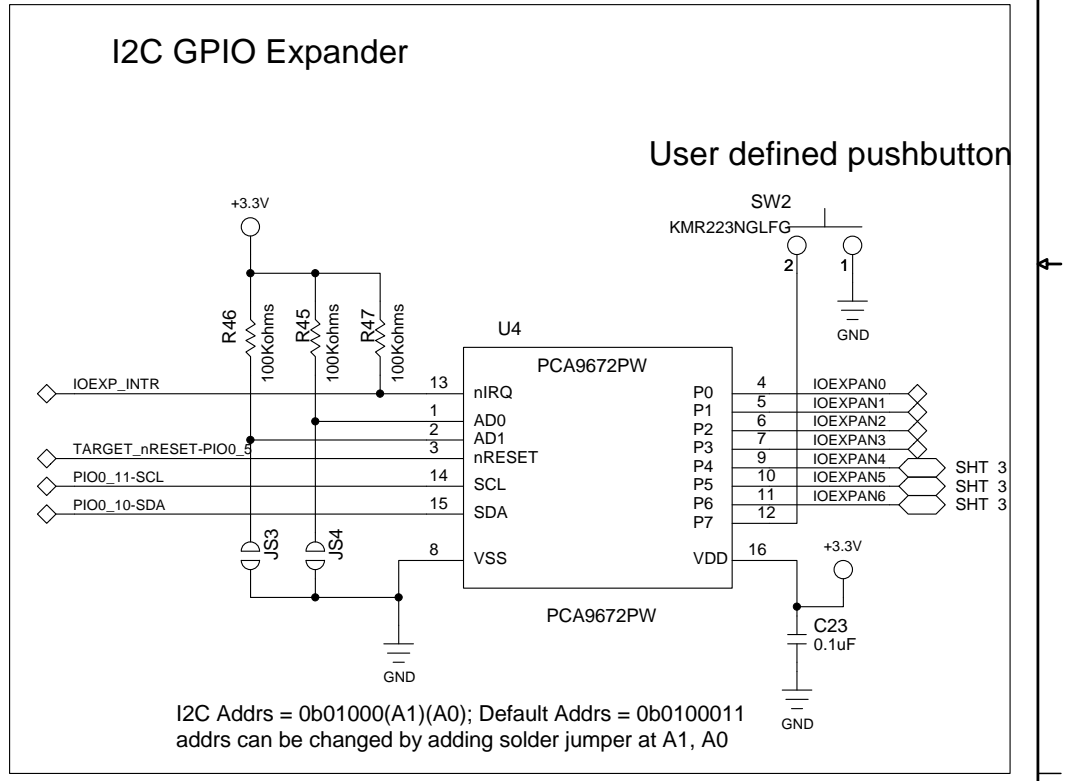
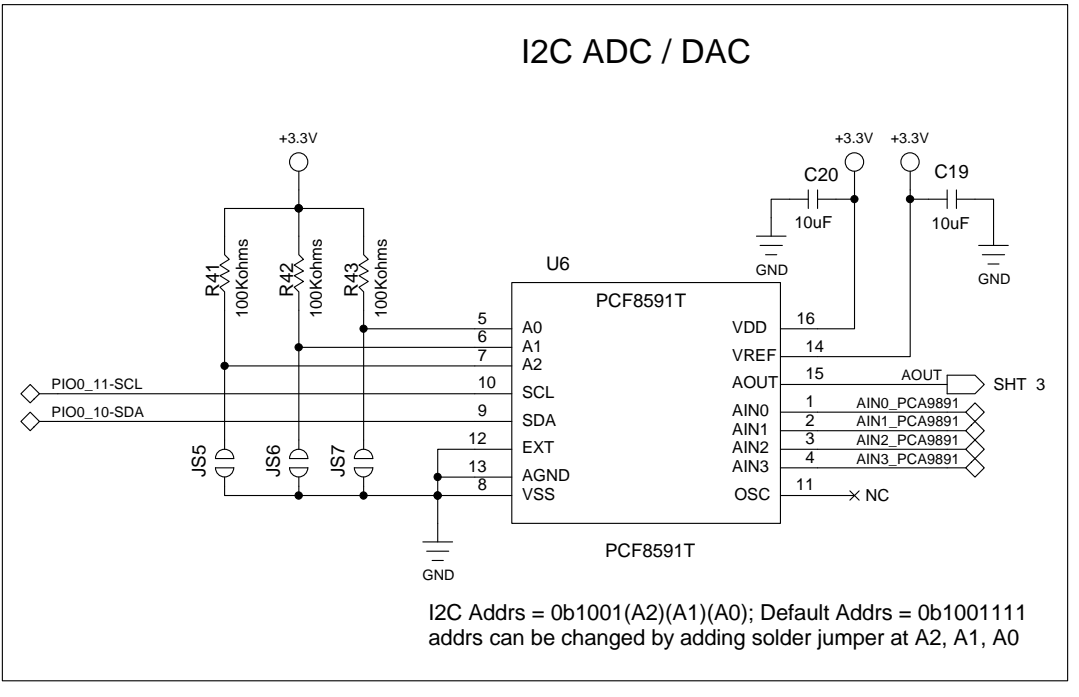
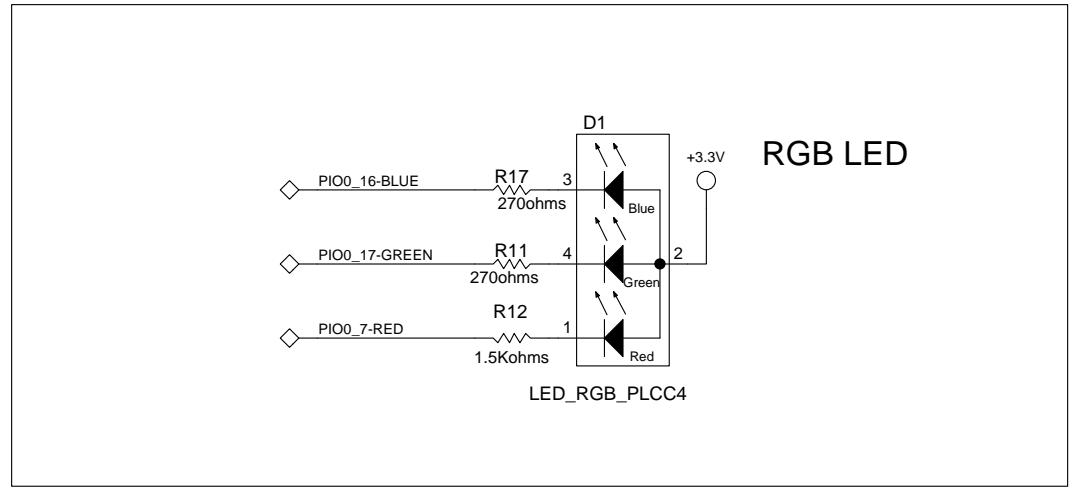
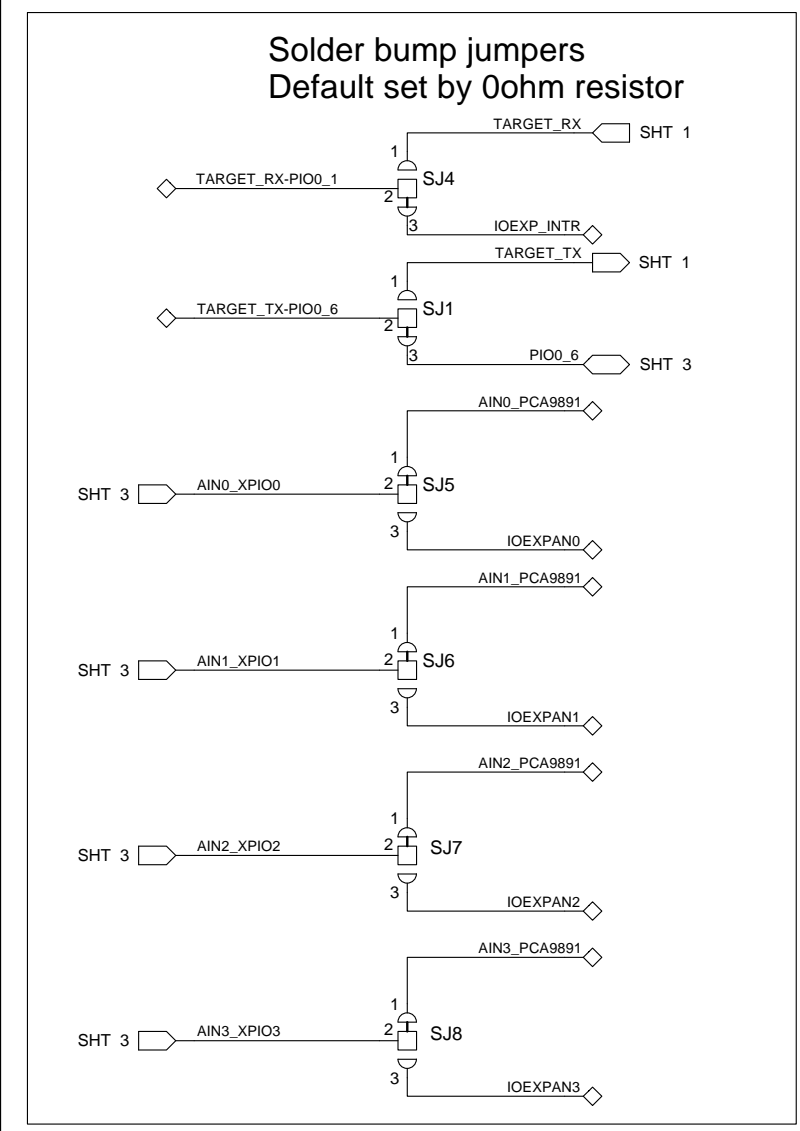
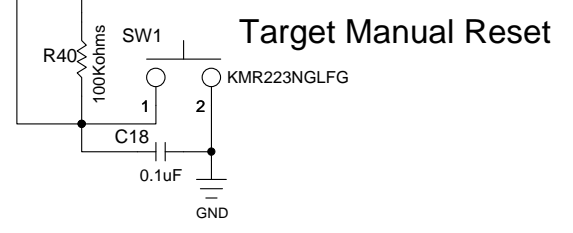
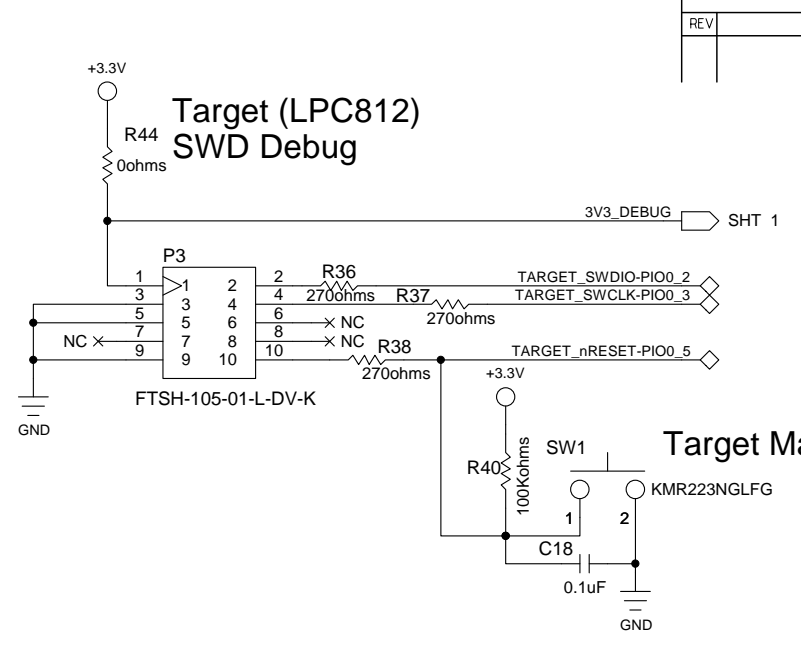
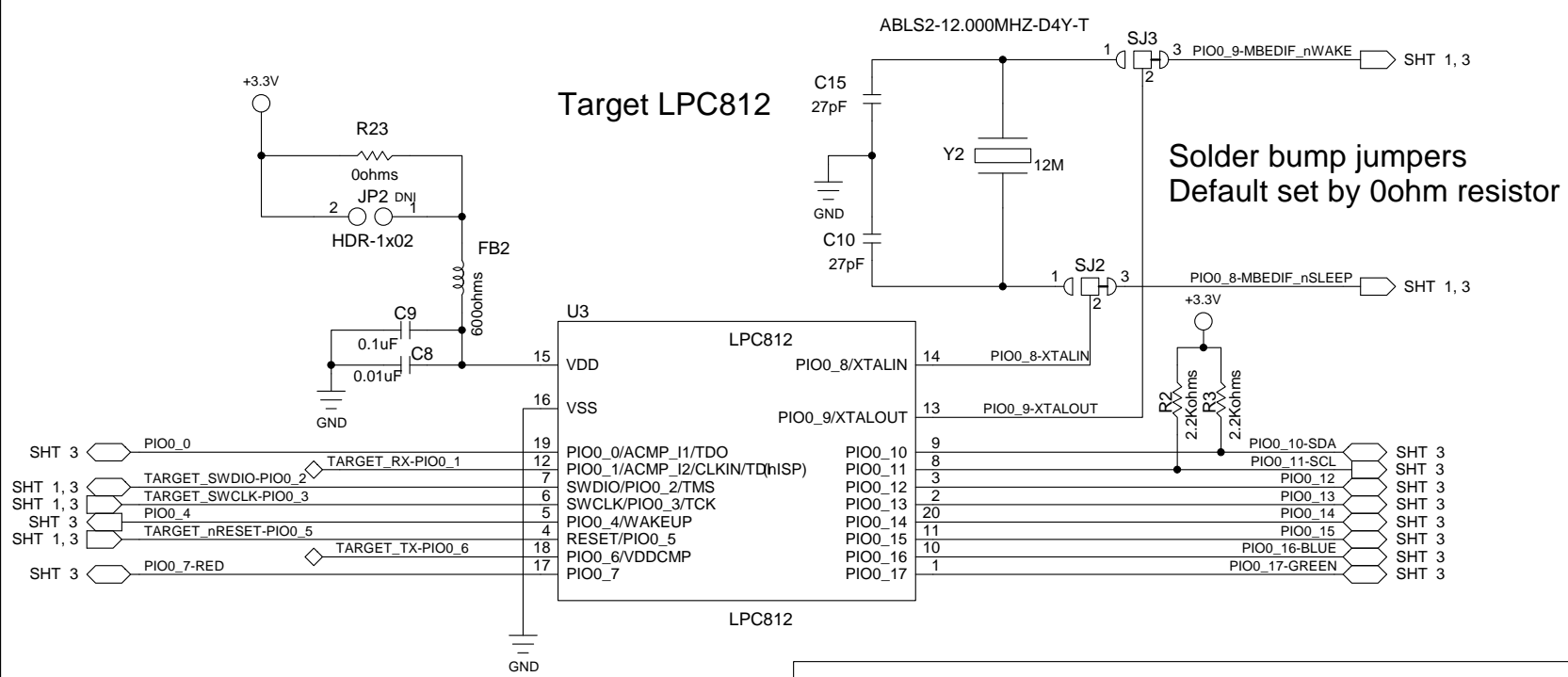
Board +3.3V Power

Power-On LED

USB Device Micro-B

CONTRACT NO.		LPC11U35 MBEDIF		
APPROVALS	DATE	NXP Semiconductors		
DRAWN d.consiglio	4/10/2013	411 E. Plumeria Dr San Jose, CA 95134 www.standardics.nxp.com/microcontrollers/		
CHECKED		SIZE	FSCM NO.	DWG. NO.
ISSUED	4/10/13	D		LPC812-MAX
SCALE		SHEET 1 OF 03		

REVISIONS			
REV	DESCRIPTION	DATE	APPROVED

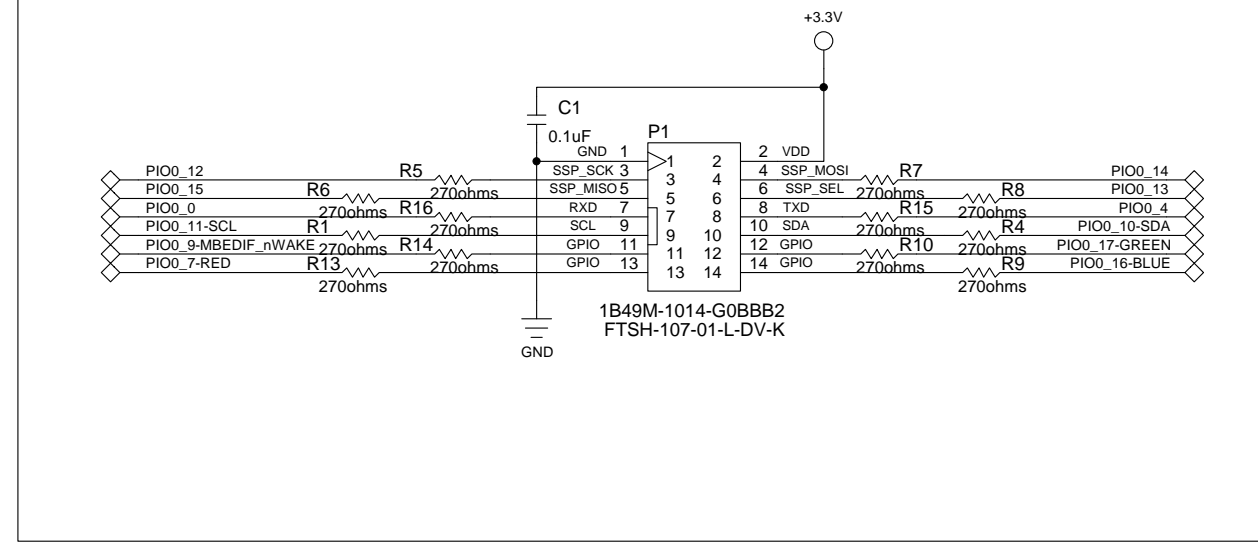


参考資料

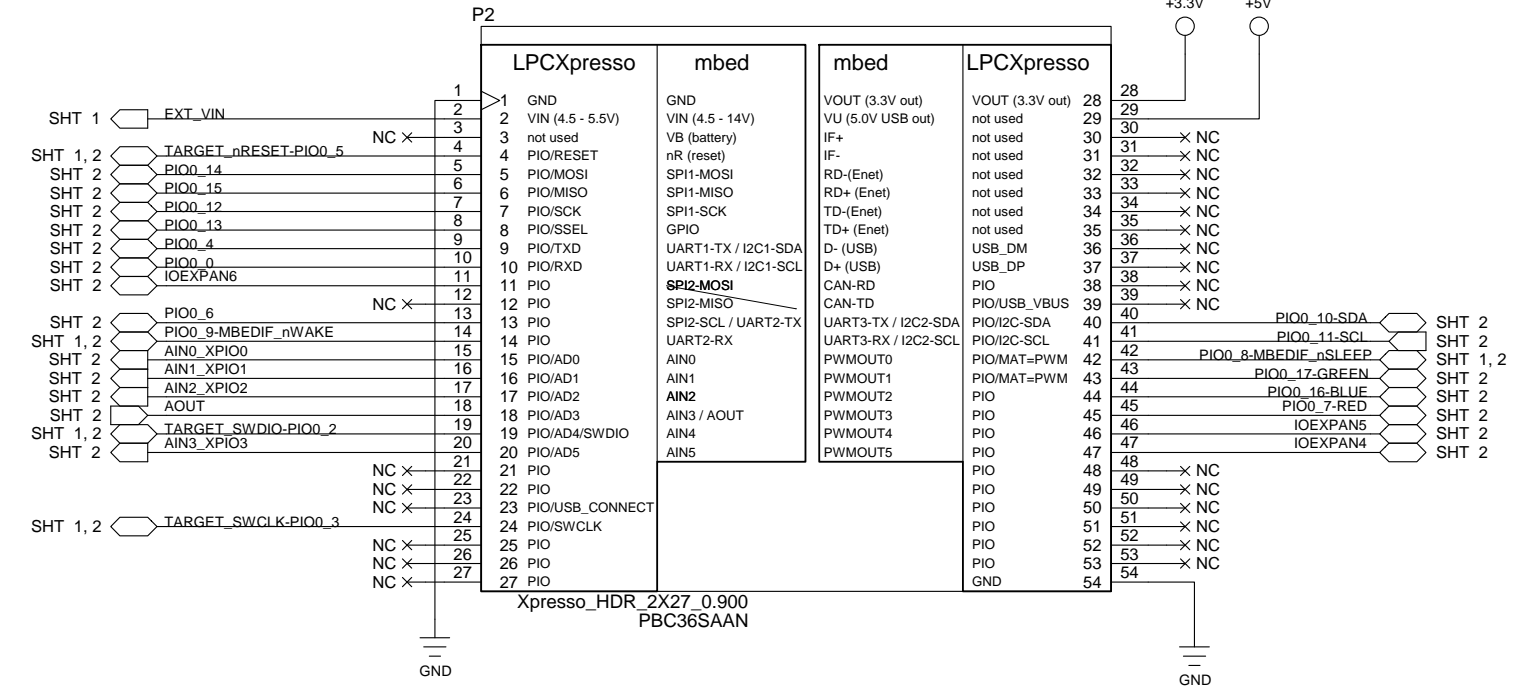
CONTRACT NO.		LPC812 Target MCU	
APPROVALS	DATE	NXP Semiconductors	
DRAWN d.consiglio	4/10/2013	411 E. Plumeria Dr San Jose, CA 95134 www.standardics.nxp.com/microcontrollers/	
CHECKED		SIZE	DWG. NO.
ISSUED	4/10/13	D	LPC812-MAX
		SCALE	SHEET 2 OF 03

REVISIONS			
REV	DESCRIPTION	DATE	APPROVED

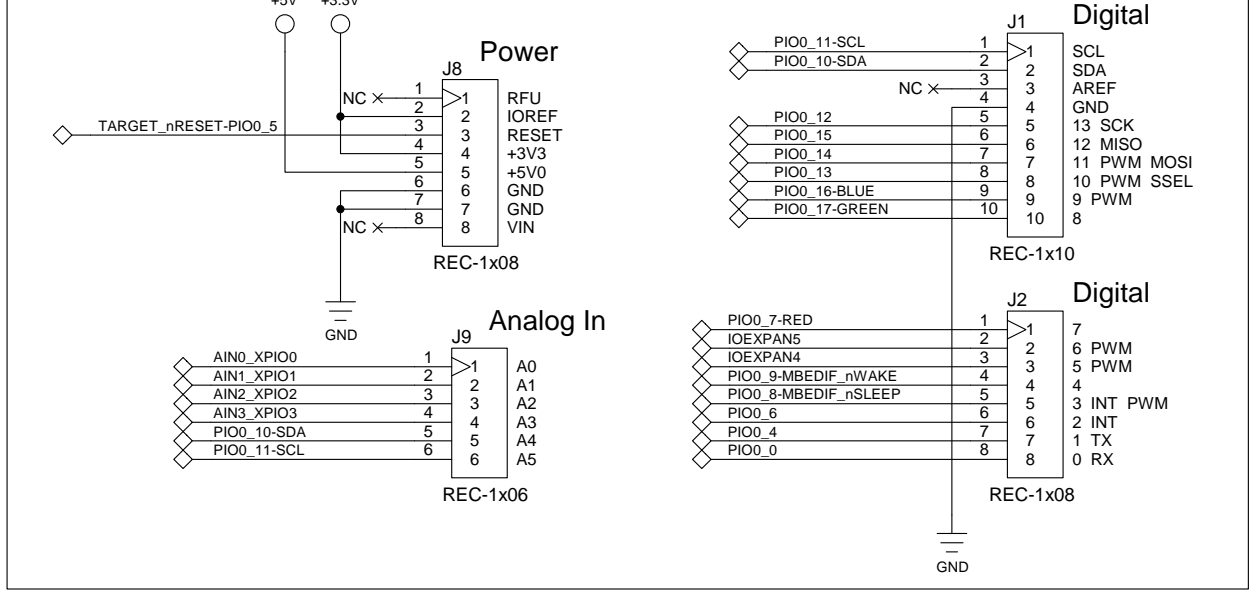
EA Serial header



LPCXpresso & MBED header (Bottom side of PCB)



Arduino Receptacles



参考資料

CONTRACT NO.		Arduino/ Xpresso/EA Serial/Breadboard headers	
APPROVALS	DATE	NXP Semiconductors	
DRAWN d.consiglio	4/10/2013	411 E. Plumeria Dr San Jose, CA 95134 www.standardics.nxp.com/microcontrollers/	
CHECKED		SIZE FSCM NO.	DWG. NO. LPC812-MAX
ISSUED	4/10/13	SCALE	REV 3
		SHEET 3 OF 03	