

Model No.	<b>LSJEXS</b>
REV.	C1

## PRODUCT SPECIFICATION FOR **Automotive LED Ribbon Light**

### Descriptions:

- Long life, easy installation, Waterproof **IP68**
- Voltages available 12VDC
- Numbers of LED: 45pcs of 5050 SMD

### Features:

- Available in red, orange, yellow, green, blue, white, etc
- Directly use on line voltage
- Low power consumption, high intensity
- Energy saving
- Excellent beam control
- Long life

### Application:

- Outside of Auto lighting
- Channel letter signs
- Indirect accent décor light
- Large area back lighting
- Under counter light
- Decorate building's contour
- Substitute neon light

### Product Picture:





Model No.	<b>LSJEXS</b>
REV.	C1

### Device Selection Guide

Module No.	Color	Dom. Wavelength (Typ.)	Intensity / Per LED (Typ.)
LSJERS	Red	625±5nm	1120 mcd
LSJEOS	Orange	605±5nm	1120 mcd
LSJEYS	Yellow	590±5nm	1120 mcd
LSJECS	Green	525±5nm	3000 mcd
LSJEBS	Blue	470±5nm	1560mcd
LSJEWS	White	X=0.31;Y=0.32	7000mcd
LSJEMS	Warm White	X=0.45;Y=0.41	5000mcd
LSJEKS	Pink	X=0.45;Y=0.17	1900mcd
LSJETS	Red	625±5nm	750mcd
	Green	525±5nm	1120mcd
	Blue	470±5nm	400mcd

### Absolute Maximum Ratings(Ta=25°C)

Items	Symbol	Values	Units
Operating Supply Range(DC)	V <sub>dc</sub>	14	V
Input Current (DC)	I <sub>i</sub>	1.35	A
Power Dissipation	P <sub>a</sub>	18.9	W
LED Light Source Temperature	T <sub>led</sub>	105	DegC
Operating Temperature	T <sub>ope</sub>	-10 ~ +40	DegC
Storage Temperature	T <sub>sto</sub>	-20 ~ +80	DegC

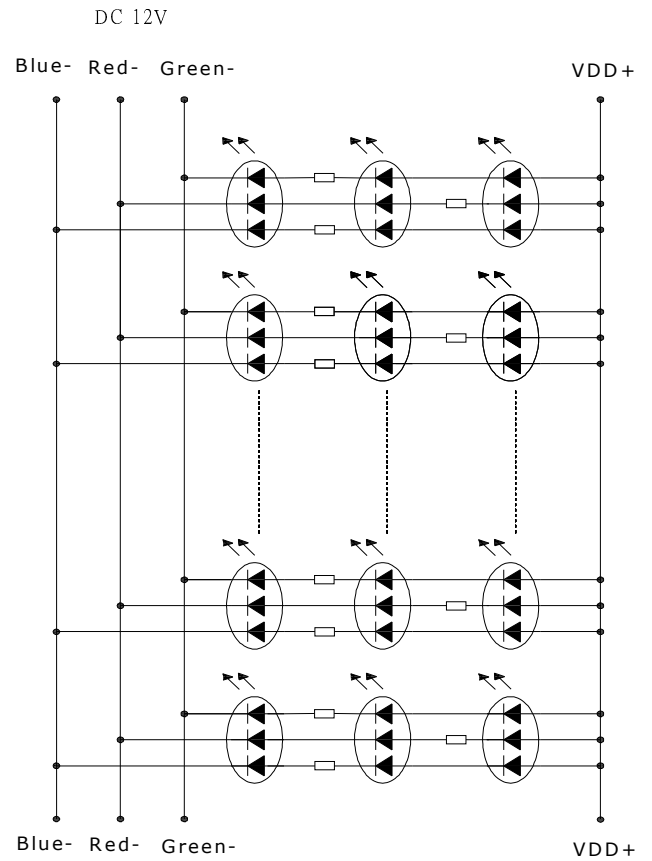
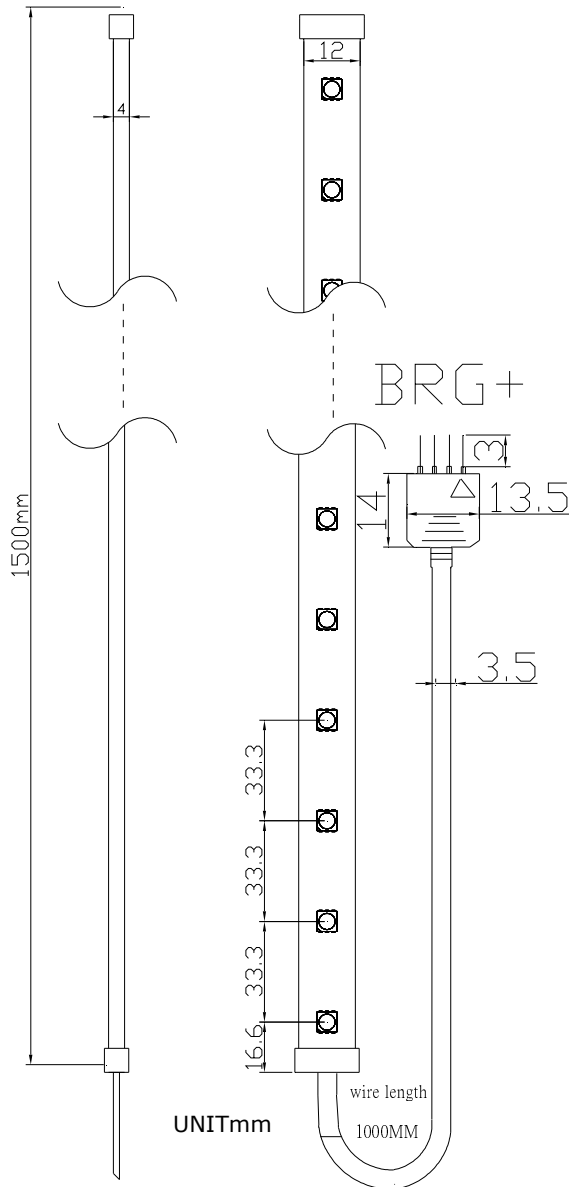
### Typical Performance (Ta=25°C)

Items	Symbol	Min.	Typ.	Max.	Units
LED Module Power	P <sub>m</sub>	-	10.8	18.9	W
Input Voltage(DC)	V <sub>i</sub>	-	12	14	V
Product Input Current	I <sub>f</sub>	-	0.9	1.35	A
Beam Pattern	BP	-	120	-	Deg
Total Length of Modules (Including Pin)	L <sub>mod.</sub>	-	1500	-	mm
LED Quantity	QTY	-	45	-	PCS
Net Weight	Wei.	---	100	---	g



Model No.	LSJEXS
REV.	C1

**Product Dimensions:**





Model No.	LSJEXS
REV.	C1

Packing information:

Box Dimensions  
Unit: mm

