



MCT-06

FEATURE

- Sensor with compact size suits precise measurement (PCB mount)
- Ferrite core applies to range 1mA ~ 20A AC
- Ratio by 800:1 for primary and secondary current can connect to circuit directly
- Output terminals as graphic to be soldered either on circuit board or conductors

SPECIFICATION

Model No.	MCT-06-3
Rated primary current	1mA ~20Arms (50 / 60Hz) $RL \leq 10\Omega$
Overload capability	80A
Saturated current	40Arms (50 / 60Hz) $RL \leq 10\Omega$
Output features	Refer to graphic of primary current and secondary voltage
Coil of secondary circuit	$800 \pm 2T$
Coil Resistance of secondary circuit	$41 \pm 3\Omega$
Applied voltage test	2KV AC (50/60Hz) for 1 minute between aperture and terminals
Insulation Resistance	at 500V DC, over $100M\Omega$ between aperture and terminals
Operating Condition	-20~75°C / Below 80% R.H. (No Condensation)
Storage Condition	-30~90°C / Below 70% R.H. (No Condensation)
Enclosure Material	PBT case sealed with epoxy resin filling
Output terminals	Bronze terminals with tinning
Weight	Approx. 12g
Sensing aperture	ϕ 6mm
Dimension	21 x 10 x 25 (mm)

得益工業儀器有限公司

DER EE

ELECTRICAL INSTRUMENT CO., LTD.

7F, No. 351, Sec. 2, Chung Shan Rd.,
Chung Ho Dist., New Taipei City, Taiwan

TEL:886-2-2226-6789(REP.) FAX:886-2-2226-7979

E-mail:deree@ms21.hinet.net

<http://www.deree.com.tw>



Specifications and appearance may be revised if needed without any prior notice. Any further product info, please contact us.

DER

EE[®]

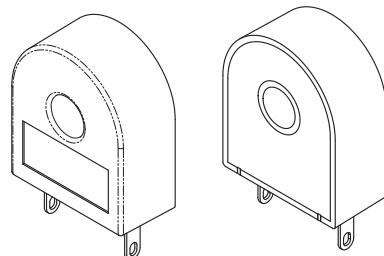
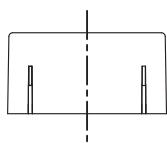
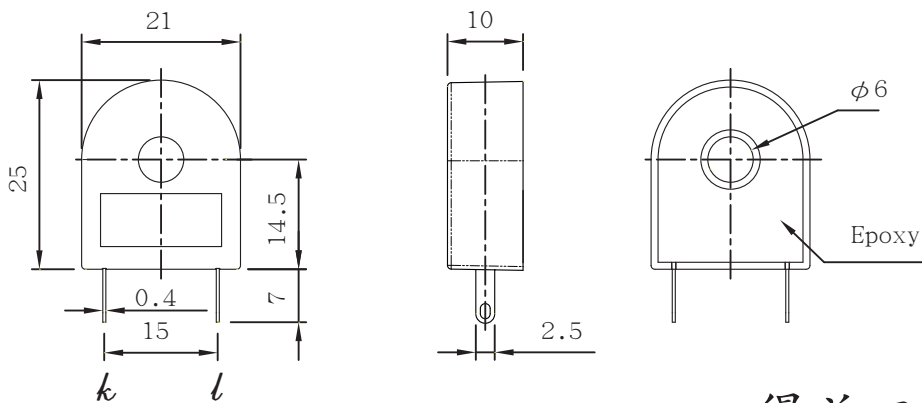
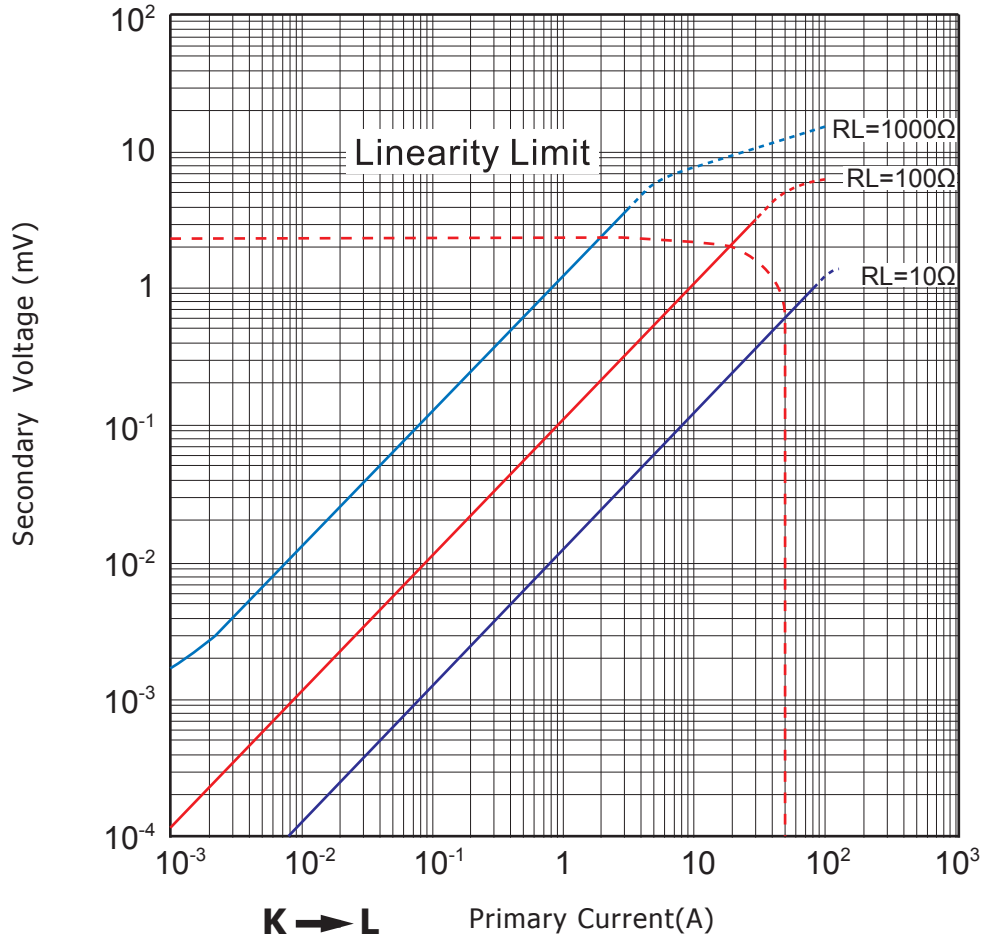
Current Transformer

ISO 9001

MCT-06

Graphic of Primary Current and Secondary Voltage

F=60Hz



得益工業儀器有限公司

DER EE

ELECTRICAL INSTRUMENT CO., LTD.

7F, No. 351, Sec. 2, Chung Shan Rd.,
Chung Ho Dist., New Taipei City, Taiwan
TEL:886-2-2226-6789(REP.) FAX:886-2-2226-7979
E-mail:deree@ms21.hinet.net
<http://www.deree.com.tw>



Specifications and appearance may be revised if needed without any prior notice. Any further product info, please contact us.