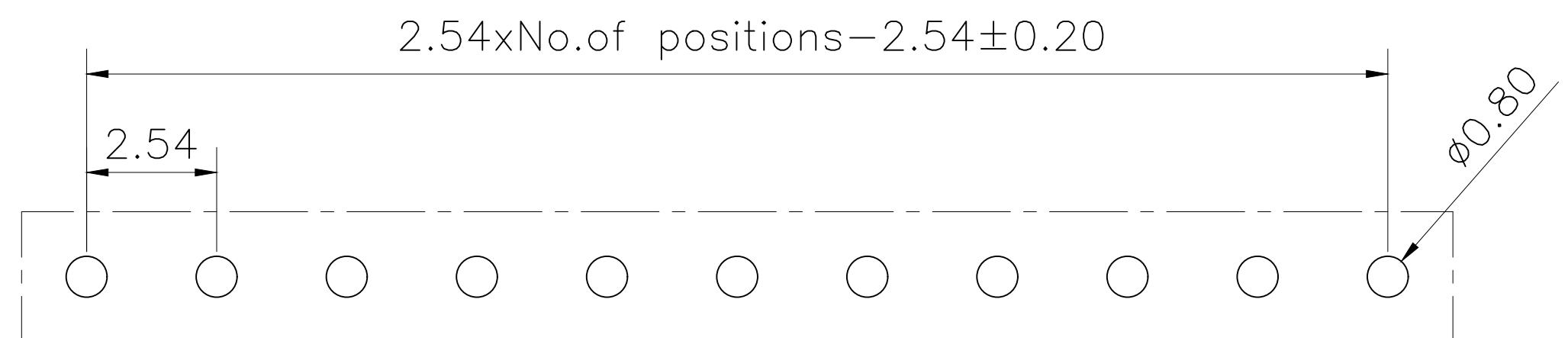
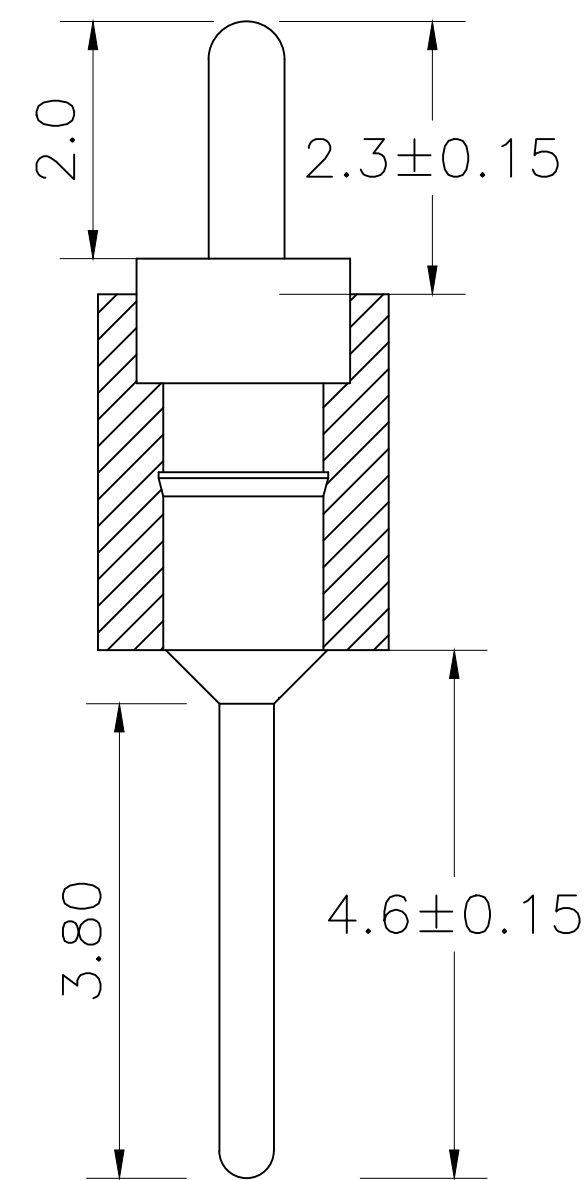
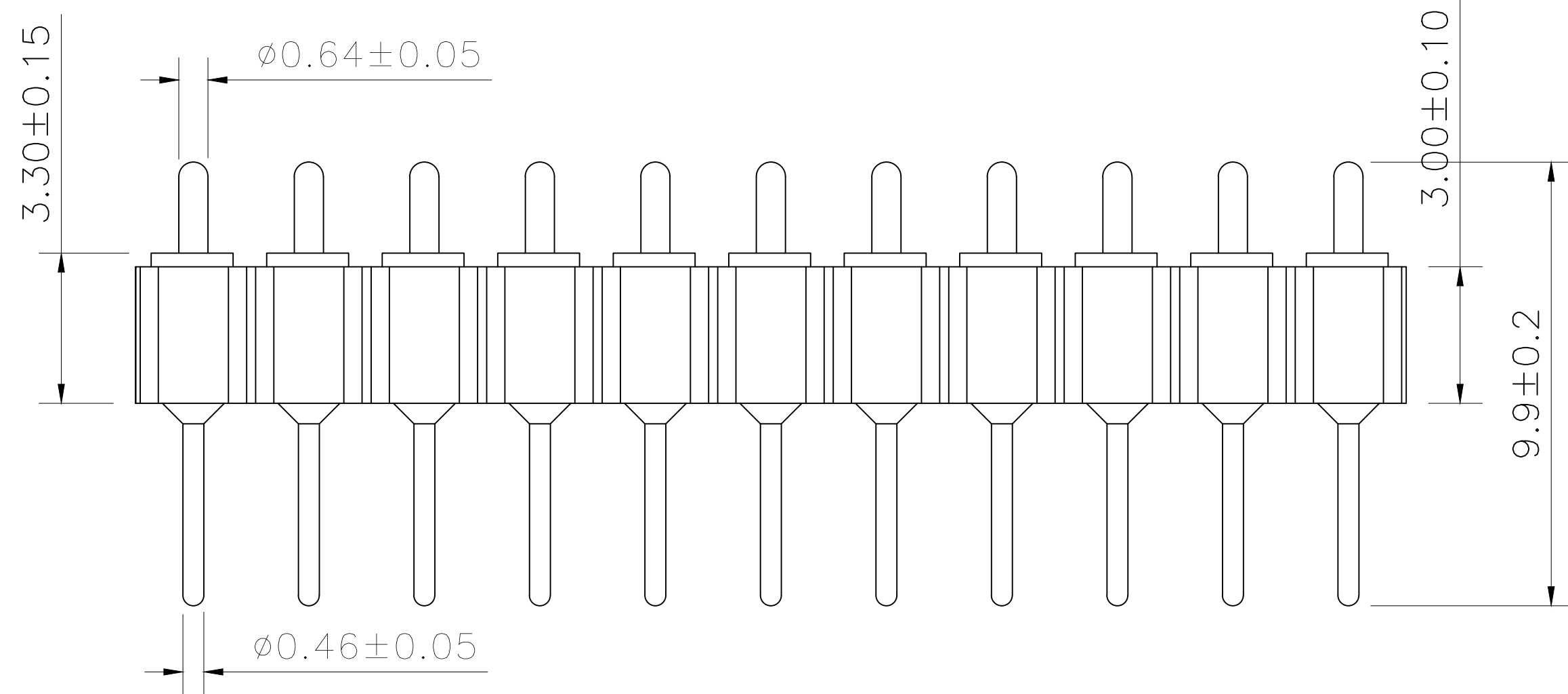
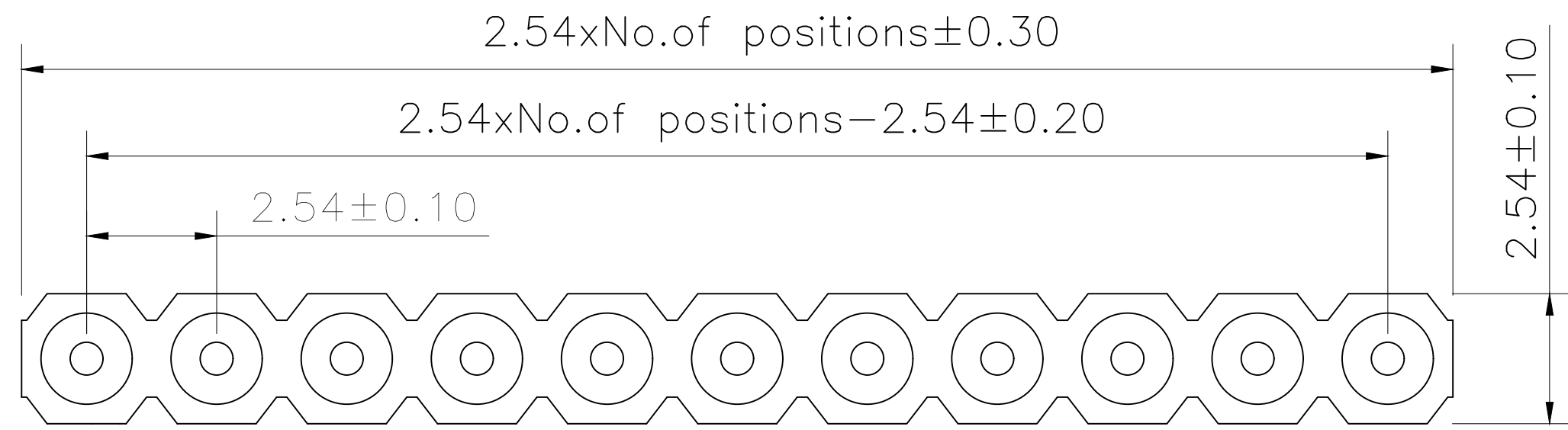


REVISION DATA		
REV	DESCRIPTION	DATE
A0	NEW DRAWING	18-10-12



Technical Data

Pin(outer sleeve):Brass,machined CuZn38Pb2
 Insulator:PPS UL94V-0 colour:black
 Current rating:3Amps
 Mating pin ϕ :0.64/0.46mm
 Mechanical life:min 500cycles
 Contact resistance:max 10m Ω
 Dielectric strength:min 1000V RMS
 Operaling temperature:-40° C to+105° C
 Soldering temperature:+255° C

Recommended P.C.B
 Layout (± 0.05)

TOLERANCE

X. XXX	± 0.05
X. XX	± 0.15
X. X	± 0.20
X.	± 0.30
ANGLE	$\pm 5.0^\circ$

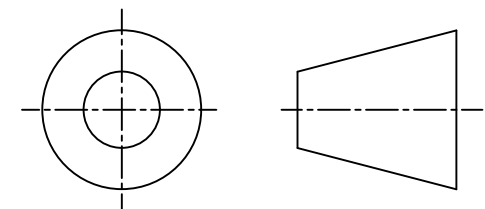


長熒有限公司

TEL:02-26945824 FAX:02-26946971

TITLE:

PROJECTON



DRAWN:	JIANG-X-M	DATE:	18-10-08	UNIT:	mm
CHECKED:	LIU-P	DATE:	18-10-08	SCALE:	FULL
APPROVED:	XIAO-Y-L	DATE:	18-10-08	SIZE:	A4