

Specification

SERIES NO.	MHD-33MN2S
IMAGE SENSOR	1/3" MEGAPIXEL CMOS WDR SENSOR (ROLLING SHUTTER)
TOTAL PIXELS	1280(H) X 1024(V) APPROX. 1.3M PIXEL EFFECTIVE PIXELS: 1280(H)X720(V)
SCANNING SYSTEM	PROGRESSIVE SCAN
SYNC SYSTEM	INTERNAL
MINIMUM ILLUMINATION	0.05 LUX @ AGC ON /SENS-UP OFF/ F1.2
RESOLUTION	OVER 700 TV-LINE
GAIN CONTROL	AUTO
EXPOSURE CONTROL	AUTO, MANUAL, IRIS PRIORITY
S / N RATIO	48DB (TYP) (GAMMA, APERTURE, AGC OFF)
AUTO IRIS	AES / ALC-DC LENS(OPTIONAL FUNCTION)
VIDEO FORMATOUT	720P 50/60 HZ
DNR CONTROL	OFF/LOW/MIDDLE/HIGH
DIGITAL VIDEO OUT (HDV)	HD-SDI
ANALOG VIDEO OUT	CVBS (OPTIONAL FUNCTION)
GAMMA CORRECTION	0.45 / 0.5 / 0.55 / 0.6 / 0.65
DIGITAL ZOOM	1.0~8.0
PROTOCOL	RS-485(OPTIONAL FUNCTION)
FUNCTION	BRIGHTNESS/SENS-UP/ ECLIPSE/BLC/WDR/AUTO/AUTO ECT./ XDR/SHADING/PRIVACY/MOTION/SD-CBCR/HD-CBCR/YUV
OPERATION TEMPERATURE	-20°C TO 50°C
OPERATIONAL HUMIDITY	WITHIN 85% RH
POWER SUPPLY	DC12V±1V / 200MA

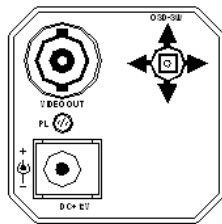
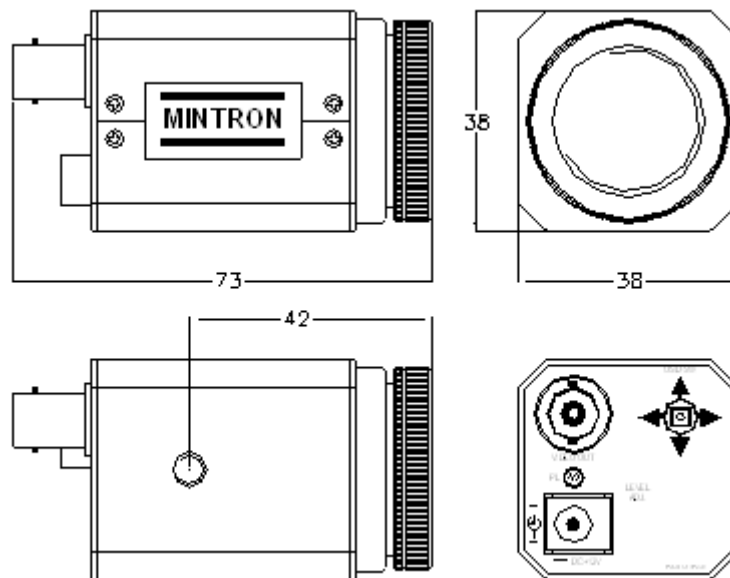
Caution for Installation:

1. Avoid places where there is direct sunlight. When using the camera outside.
2. Be careful, never let any water in this equipment.
3. Do not directly touch the Sensor device. If necessary, use a soft cloth moistened with alcohol to wipe off the dust.
4. When the camera installs in dust or wet environment, please puts into the camera housing.
5. Be extra careful not to shake the camera.
6. Avoid places where temperatures exceed 50 °C or more.
7. Be extra careful not to mistake plug in connect.
8. The camera are only operated with regulative adaptor DC 12V, AC to DC non-regulative adaptor may cause camera damaged.

Model No.33MN2S VER 2.0

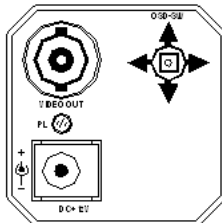
Model number 33MN2S-D

Dimension (Unit : mm / ± 0.3 mm)



[Item No.MHD-33MN2S-D](#)

HD-SDI Video out
 DC Power in: DC 12V / 200mA
 Day/ Night :IR-Cut filter
 Features : as specification



[Item No.MHD-33MN2S-P](#)

HD-SDI Video out
 DC Power in: DC 12V / 200mA or Powered by coaxial cable
 Day/ Night :IR-Cut filter
 Features : as specification

Related product:



[Item No. MHD-61S2SH-M](#)

Feature s:
 Converts HD-SDI to HDVI output
 Support HD-SDI loop-out
 Support power out over coaxial cable
 Built-in equalizer and re-clock
 Ctrl over coaxial cable ---no released

MN2 OSD Infrastructure (Index)

OSD Main Menu	functions	Parameter/content	Remark		
LENS	ALC	INDOOR/OUTDOOR/DEBLUR	NOTE		
	AES	NORMAL / DEBLUR			
EXPOSURE	BRIGHTNESS	----- 10			
	FREQ	50Hz/60Hz			
	SHUTTER	AUTO_1/30(25)		MANUAL_1/30(25) 、 1/60(50) 、 1/120(100) 、 1/240 、 1/500 、 1/1000 、 1/2000 、 1/4000 、 1/8000 、 1/16000 、 1/30000 、 1/60000	
		SENS-UP			OFF/X2/X3/X4/X5/X6/X7/X8
		AGC			----- 10
BACKLIGHT	OFF				
	ECLIPSE	----- 10			
	BLC	H/V-POS 5 (0~20)		H/V-SIZE 5 (0~20)	
H/V-SIZE 5 (0~20)					
DAY&NIGHT	MODE	AUTO/COLOR/B&W/EXTERN			
	ANTI-SAT.	----- 10			
	AGC THRES	----- 10			
	AGC MARGIN	----- 10			
	DELAY	LOW/MIDDLE/HIGH			
WHITE BAL	AUTO				
	ATW EXT.				
	PRESET	one-pushing			
	MANUA	R-GAIN ----- 10		B-GAIN ----- 10	
B-GAIN ----- 10					
DNR	HIGHT/MIDDLE/LOW/OFF				
IMAGE	SHARPNESS	----- 10			
	GAMMA	0.45/0.5/0.55/0.6/0.65			
	COLOR GAIN	----- 10			
	MIRROR	ON/OFF			
	FLIP	ON/OFF			
	XDR	OFF/LOW/MIDDLE/HIGH			
	CROSS LINE	ON / OFF			
	FREEZE	ON / OFF			

※The specifications and appearance of the product may change without notice.

Model No.33MN2S VER 2.0

	COLORBAR	ON / OFF	
D-Zoom	1.0x~8.0x		
SYSTEM	COMMUNICATION	CAM ID 1~255	
		BAUDRATE 2400/4800/9600/57600/115200	
	IMAGE RANGE	FULL/COMP	
	COLOR SPACE	SD-CbCr/HD-CbCr/YUV	
	CVBS	NTSC/PAL	
	LANGUAGE	ENG/CHN/CHN(S)/JPN	
	RESET	ON(Push)	