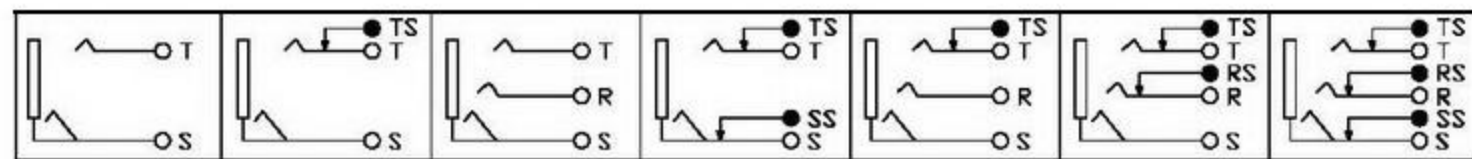
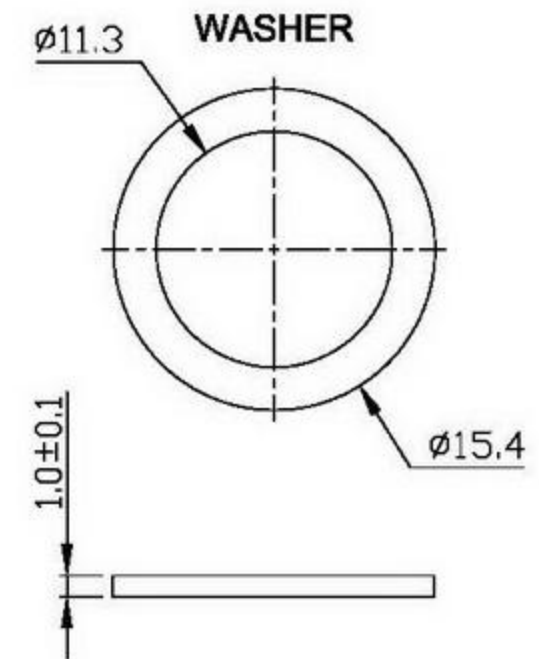
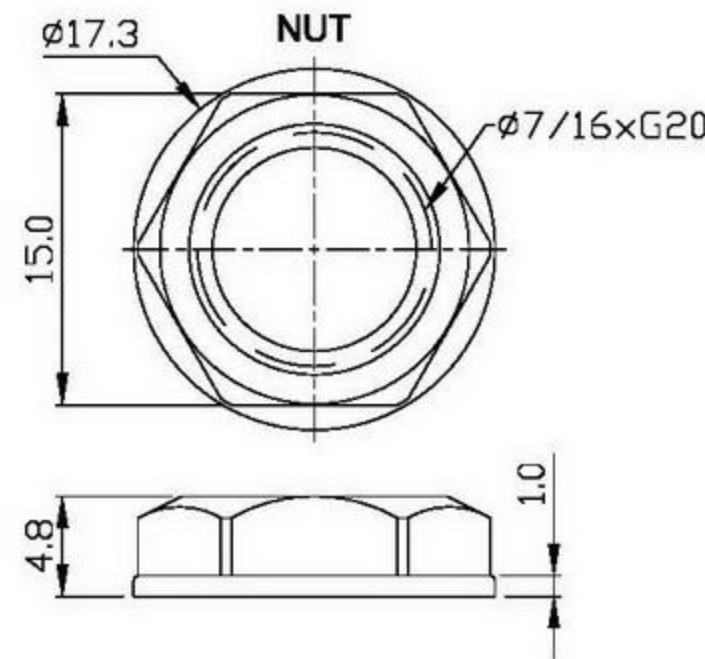
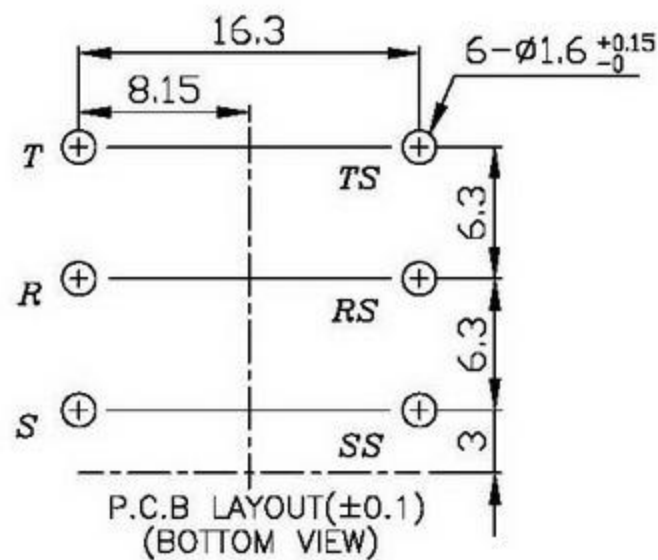
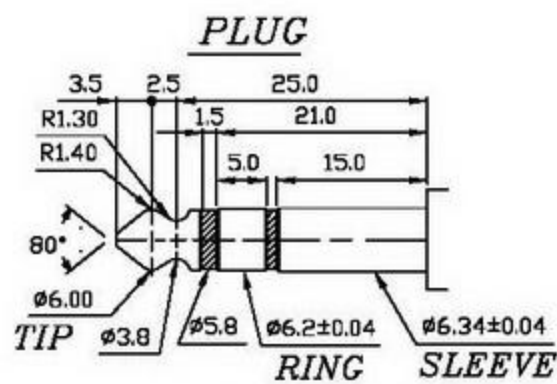


0.5-5M M=±0.2
 5-30M M=±0.4
 30-120M M=±0.6
 120-315M M=±1.0
 315-10000M M=±1.6



5	WASHER	1	PARER SHEET		RED(Fittings)
4	NUT	1	PA66		BLACK(Fittings)
3	HOUSING	1	PA66		BLACK
2	TIP SPRING	3	P.B.S	TIN	
1	SHUNT SPRING	3	BRASS	TIN	
NO	PART NAME	Q'TY	MATERIAL	PLATED	REMARK

品名 ARTICLE	HEADPHONE JACK	
規格 SPECIFICATION		
單位 UNIT	mm	
比例 SCALE		2:1



AVVICON ELECTRONIC CORPORATION
 一 障 實 業 有 限 公 司
 TEL:886-6-2677751 FAX:886-6-2696498
 e-mail: yiwai751@ms9.hinet.net
<http://www.avvicon.com>
<http://www.a-adcon.com>

圖號 DRAWING NO.	MJ-462
日期 DATE	2015/1/26
繪圖 DRAWN BY	VICKY