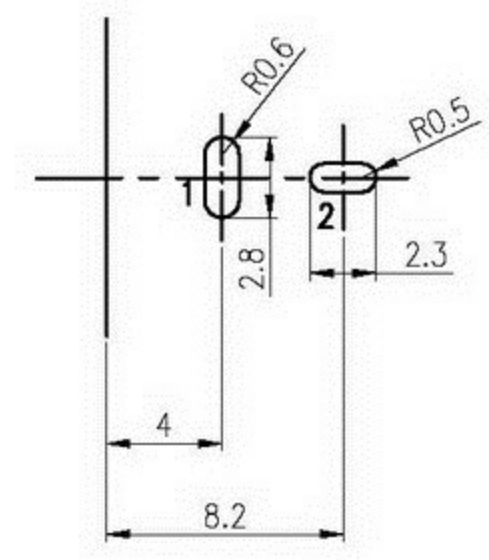
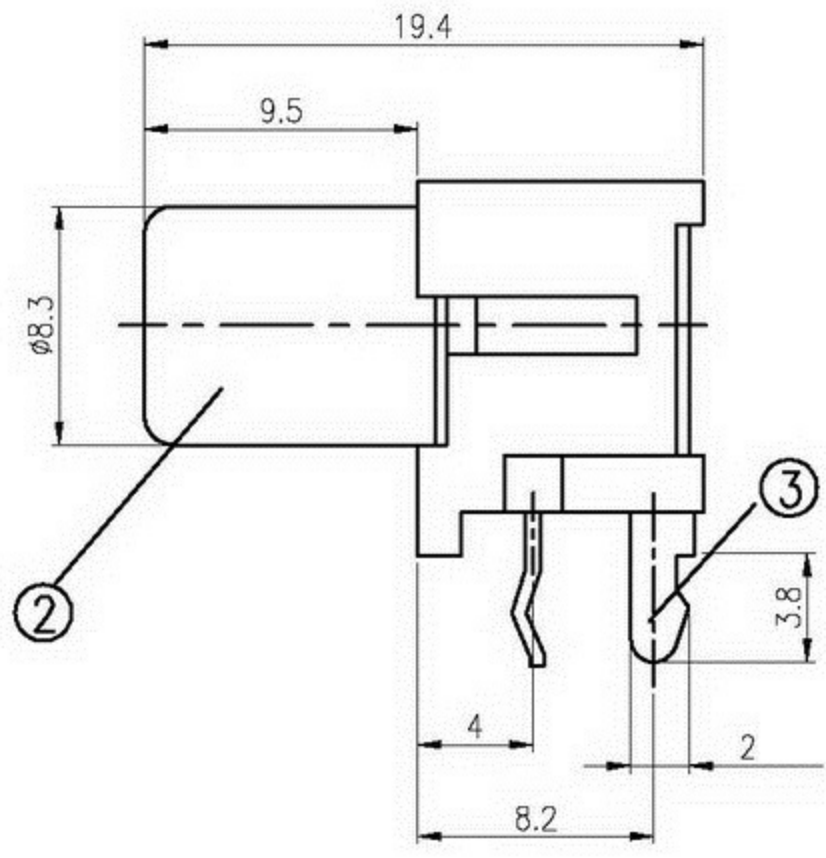
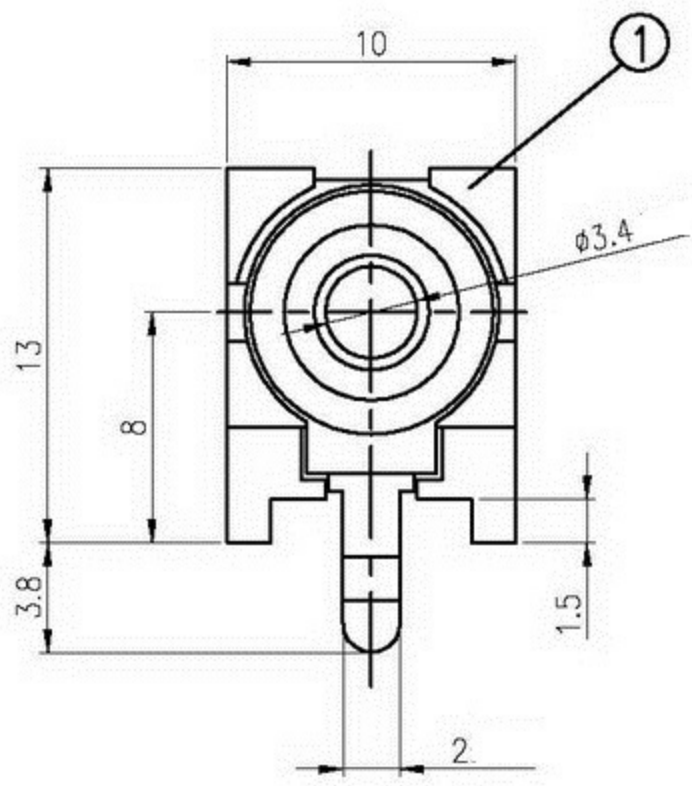
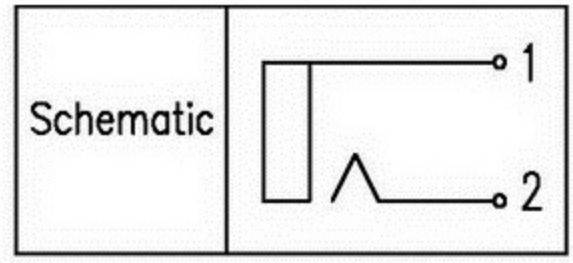


0.5-5M M=± 0.2
 5-30M M=± 0.4
 30-120M M=± 0.6
 120-315M M=± 1.0
 315-10000M M=± 1.6



COLOR OF HOUSING
BLACK
YELLOW
RED
WHITE
ORANGE
GREEN
BLUE



3	TERMINAL	1	C2680 t=0.35	Cu/Sn PLATED
2	OUTER CONTACT	1	C2680 t=0.35	Cu/Sn PLATED
1	HOUSING	1	PBT 4815	UL-94V0
LTR	PART NAME	QTY	MATERIAL	REMARK

品名 ARTICLE 規格 SPECIFICATION 單位 UNIT 比例 SCALE	RCA PIN JACK	 AVVICON ELECTRONIC CORPORATION 一 矚 實 業 有 限 公 司	圖號 DRAWING NO.	MJ-523
	mm		2:1	日期 DATE
			繪圖 DRAWN BY	