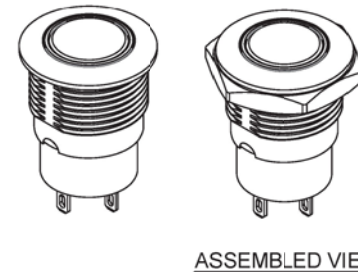
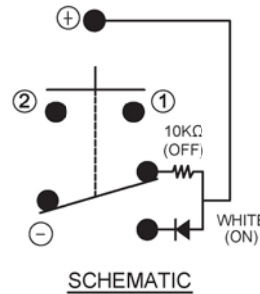
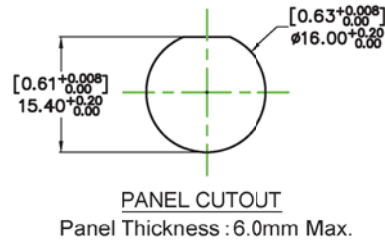
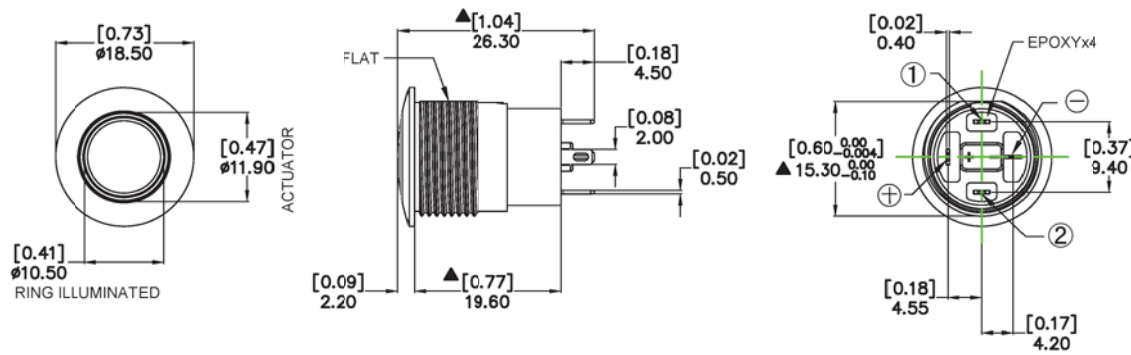
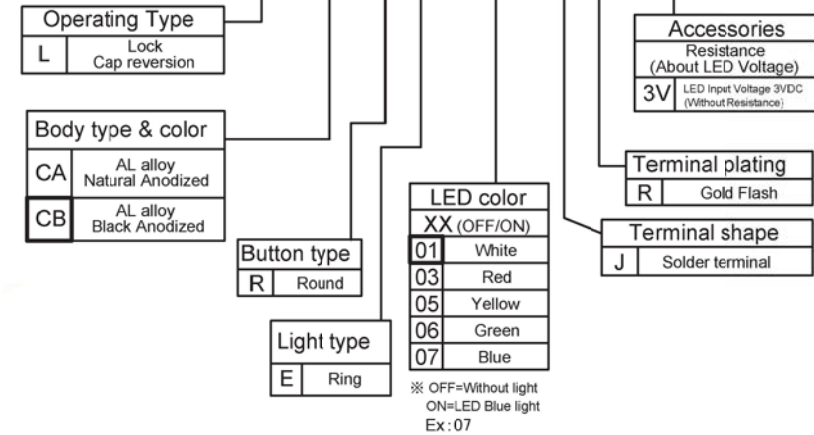


# MPB16L-XXXX-XX-JR-XV



## SPECIFICATIONS

- Rating : 2A/36VDC.
- Electrical Life : 100,000 Make-And-Break Cycles At Full Load.
- Insulation Resistance : 1,000M $\Omega$  Min. at 500VDC.
- Dielectric Strength : 2,000V RMS@sea level.
- Contact Resistance : 50m $\Omega$ Max.@1A/12VDC (initial value).
- Operation Temperature : -20~+70 $^{\circ}$ C.
- Operation Pressure : 4.5 $\pm$ 1.5N.
- Travel : About 2.3mm.
- Ingress Protection : IP67.
- Torque : 11.5 kgf · cm.
- Current limiting resistor is required to limit LED forward current to 20mA.
- CAP Keeps same high.
- Push-OFF, Without light, Push-ON, LED White light (Latching)

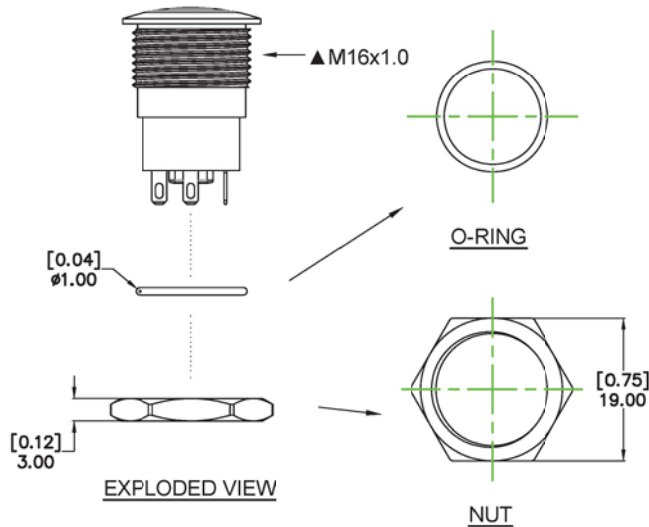
## MATERIAL

Bushing : Aluminum alloy, Anodized.  
 Base : Nylon 6/6  
 Actuator : POM (A)  
 Cap : PC, Aluminum alloy, Anodized.  
 Spring : Steel.  
 Sealing : Silicone.  
 O-ring : Silicone (A)  
 Nut : Brass (Nickel Plated).  
 Terminal : Brass, Coin silver, Gold flash plated.  
 Contact : Brass, Coin silver, Gold flash plated.



# COSLAND CO., LTD.

E-MAIL: cosland@cosland.com  
 TEL: 886-2-2745 8908. FAX: 886-2-2765 3456.



| 符號    | 原尺寸 | 修改後尺寸  | 變更日期        |
|-------|-----|--------|-------------|
| 1 (A) |     | 修訂材質說明 | OCT-30-2017 |
| 2 (B) |     |        |             |
| 3 (C) |     |        |             |
| 4 (D) |     |        |             |
| 5 (E) |     |        |             |

SCALE (比例) : 1:1

TOLERANCE (公差) :

0.00 mm  $\pm$  0.25mm  
 0.0 mm  $\pm$  0.40mm  
 ANGULAR:  $\pm 5^{\circ}$

FILE NAME : MPB16L-0033

|               |   |         |                 |             |        |
|---------------|---|---------|-----------------|-------------|--------|
| TITLE 圖名      | Metal push button switch $\phi 16$ (LOCK) |         |                 | SIZE 圖紙     | A4     |
| DWG NO. 圖號    | MPB16L-CBRE-01-JR-3V                      |         |                 | UNIT 單位     | mm     |
| REV. 版本       | B   | DATE 日期 | SEP - 11 - 2017 | SHEET 張數    | 1 of 1 |
| CHECKED BY 審核 |   |         |                 | DRAWN BY 製圖 |        |