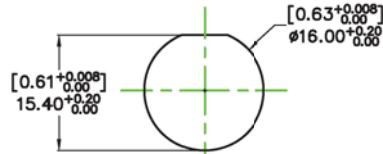
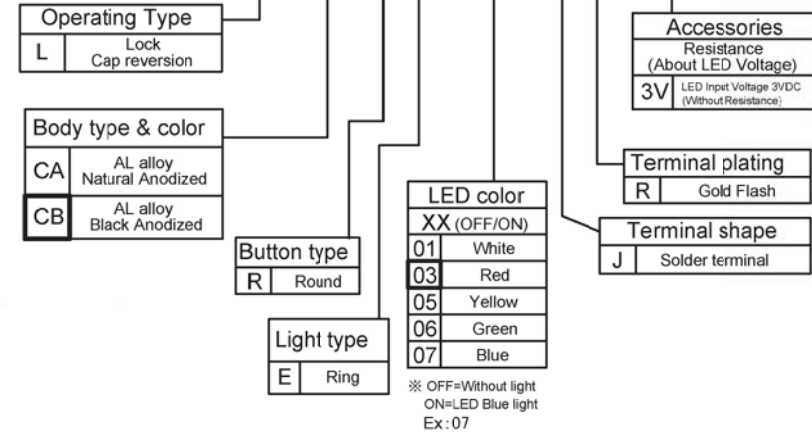
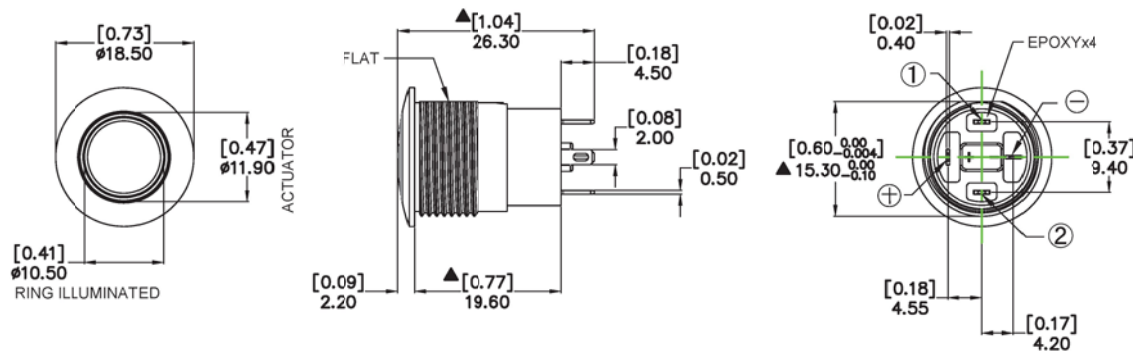
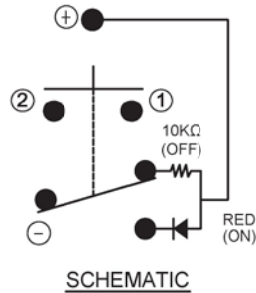


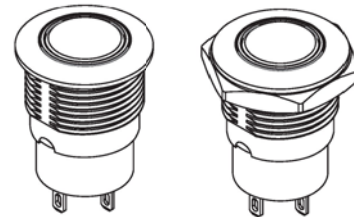
MPB16L-XXXX-XX-JR-XV



PANEL CUTOUT
Panel Thickness : 6.0mm Max.



SCHEMATIC



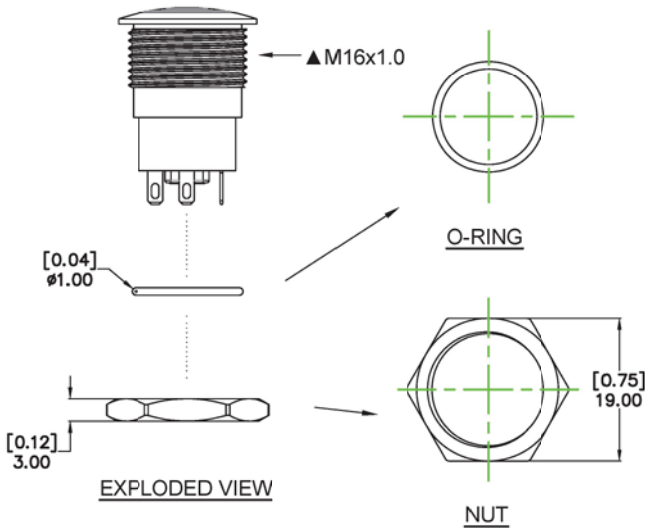
ASSEMBLED VIEW

SPECIFICATIONS

- Rating : 2A/36VDC.
- Electrical Life : 100,000 Make-And-Break Cycles At Full Load.
- Insulation Resistance : 1,000MΩ Min. at 500VDC.
- Dielectric Strength : 2,000V RMS@sea level.
- Contact Resistance : 50mΩMax.@1A/12VDC(initial value).
- Operation Temperature : -20~+70°C.
- Operation Pressure : 4.5±1.5N.
- Travel : About 2.3mm.
- Ingress Protection : IP67.
- Torque : 11.5 kgf · cm.
- Current limiting resistor is required to limit LED forward current to 20mA.
- CAP Keeps same high.
- Push-OFF, Without light, Push-ON, LED Red light(Latching)

MATERIAL

- Bushing : Aluminum alloy, Anodized.
- Base : Nylon 6/6
- Actuator : POM (A)
- Cap : PC, Aluminum alloy, Anodized.
- Spring : Steel.
- Sealing : Silicone.
- O-ring : Silicone (A)
- Nut : Brass(Nickel Plated).
- Terminal : Brass, Coin silver, Gold flash plated.
- Contact : Brass, Coin silver, Gold flash plated.



EXPLODED VIEW

NUT

COSLAND COSLAND CO., LTD.

E-MAIL: cosland@cosland.com
TEL:886-2-2745 8908. FAX:886-2-2765 3456.

符號	原尺寸	修改後尺寸	變更日期	SCALE (比例) : 1:1	TITLE 圖名	SIZE 圖紙
1	(A)	修訂材質說明	OCT-27-2017	TOLERANCE (公差) : 0.00 mm ± 0.25mm 0.0 mm ± 0.40mm ANGULAR: ±5° FILE NAME : MPB16L-0006	Metal push button switch ø 16 (LOCK)	A4
2	(B)				DWG NO. 圖號	UNIT 單位
3	(C)				REV. 版本	SHEET 張數
4	(D)				DATE 日期	1 of 1
5	(E)				CHECKED BY 審核	DRAWN BY 製圖

Metal push button switch ø 16 (LOCK)
MPB16L-CBRE-03-JR-3V
MAY - 15 - 2017