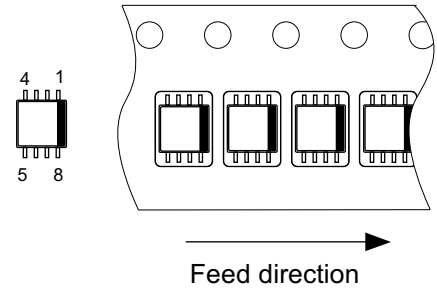
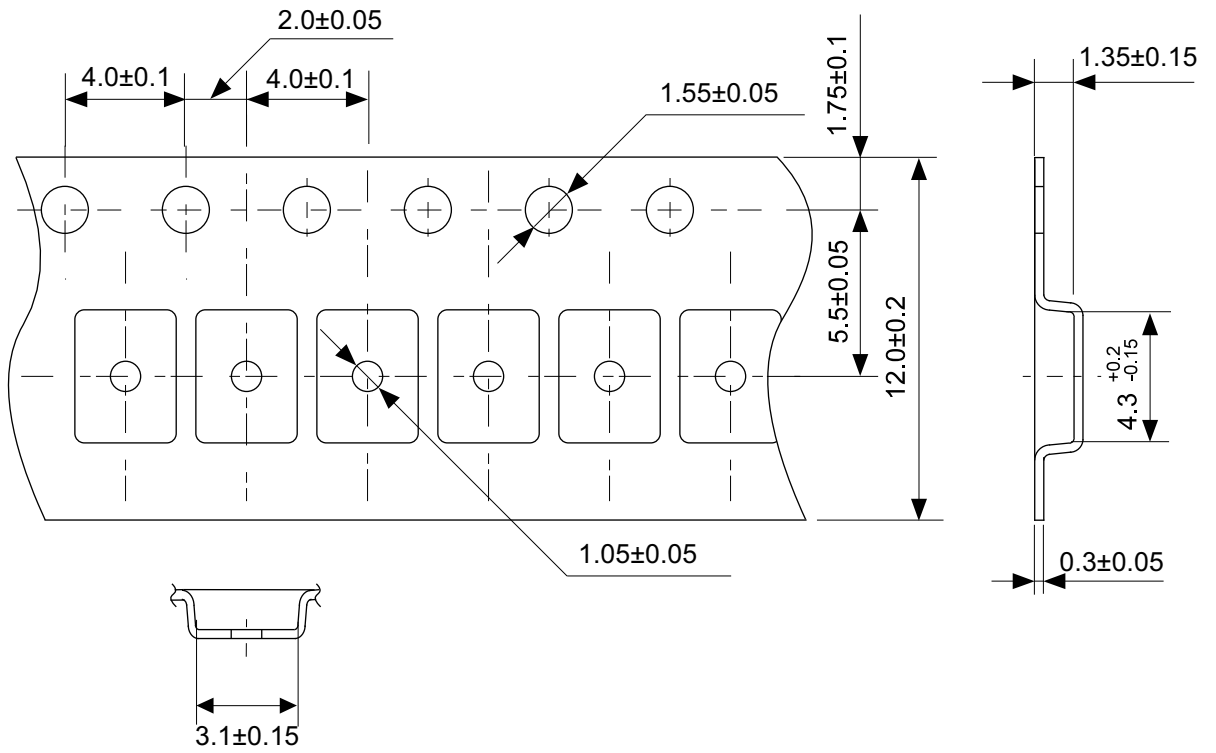


No. FN008-A-P-SD-1.2

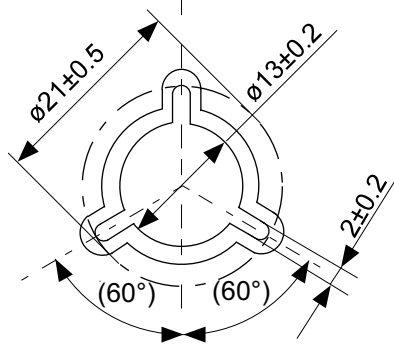
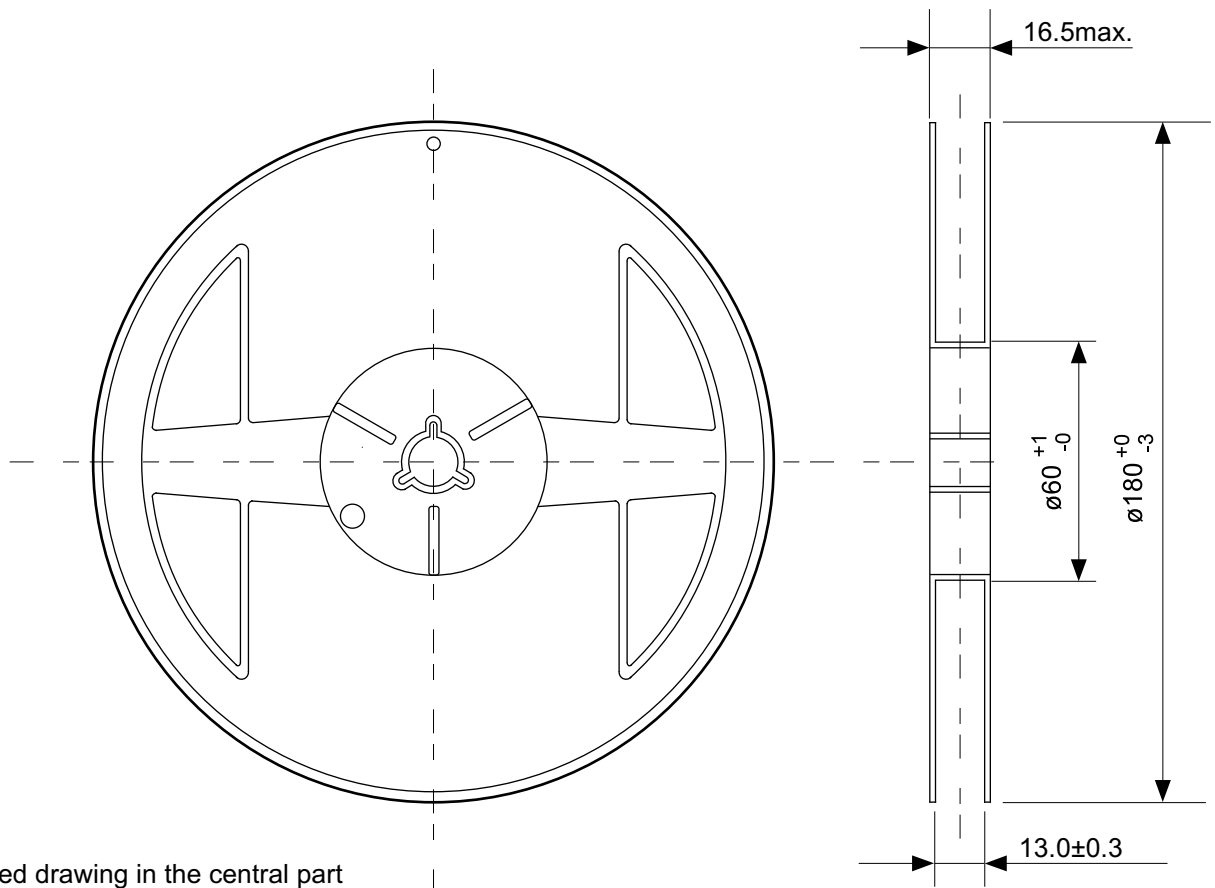
TITLE	MSOP8-A-PKG Dimensions
No.	FN008-A-P-SD-1.2
ANGLE	
UNIT	mm
ABLIC Inc.	



No. FN008-A-C-SD-1.1

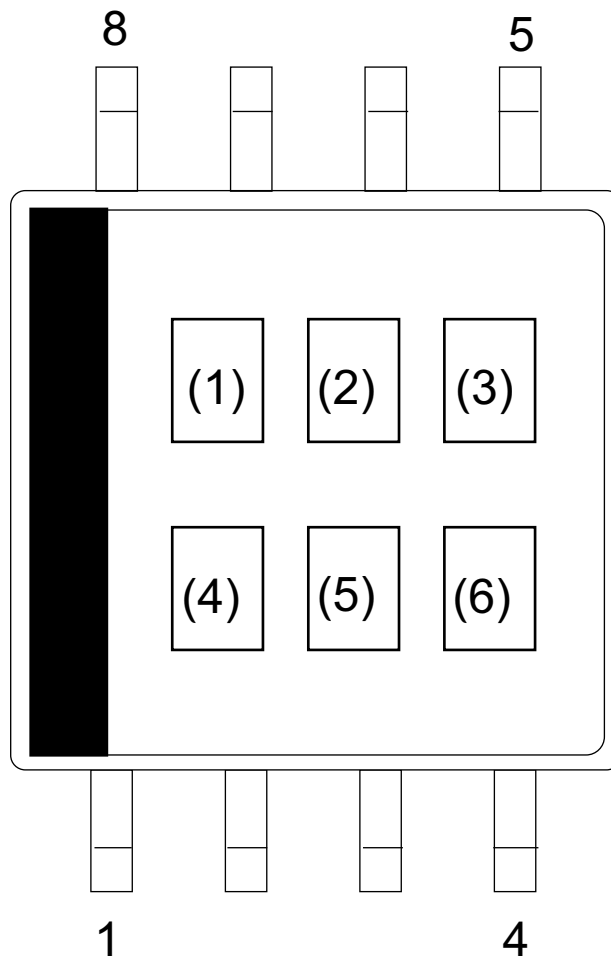
TITLE	MSOP8-A-Carrier Tape
No.	FN008-A-C-SD-1.1
ANGLE	
UNIT	mm

ABLIC Inc.



No. FN008-A-R-SD-1.1

TITLE	MSOP8-A-Reel		
No.	FN008-A-R-SD-1.1		
ANGLE		QTY.	3,000
UNIT	mm		
ABLIC Inc.			

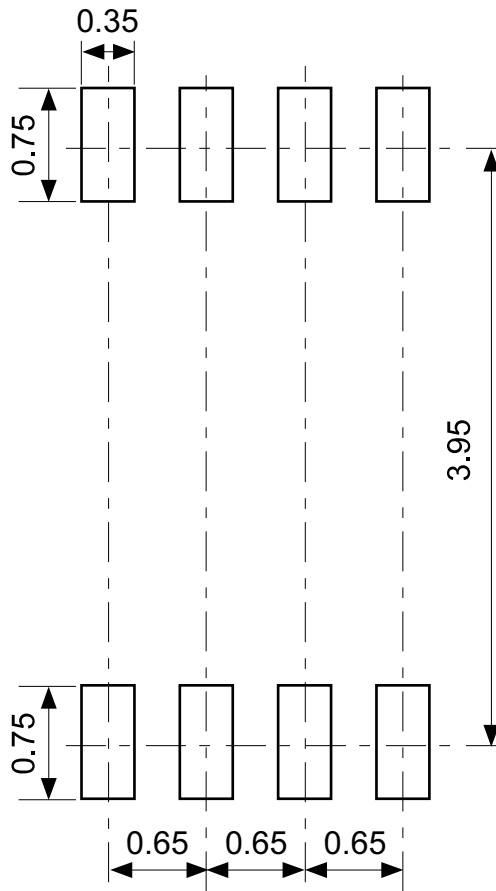


(1) to (3) : Product code

(4) to (6) : Lot No. code

No. FN008-A-M-SD-2.0

TITLE	MSOP8-A-Markings		
No.	FN008-A-M-SD-2.0		
ANGLE			
UNIT		TYPE	LASER
ABLIC Inc.			



No. FN008-A-L-SD-1.1

TITLE	MSOP8-A -Land Recommendation
No.	FN008-A-L-SD-1.1
ANGLE	
UNIT	mm
ABLIC Inc.	