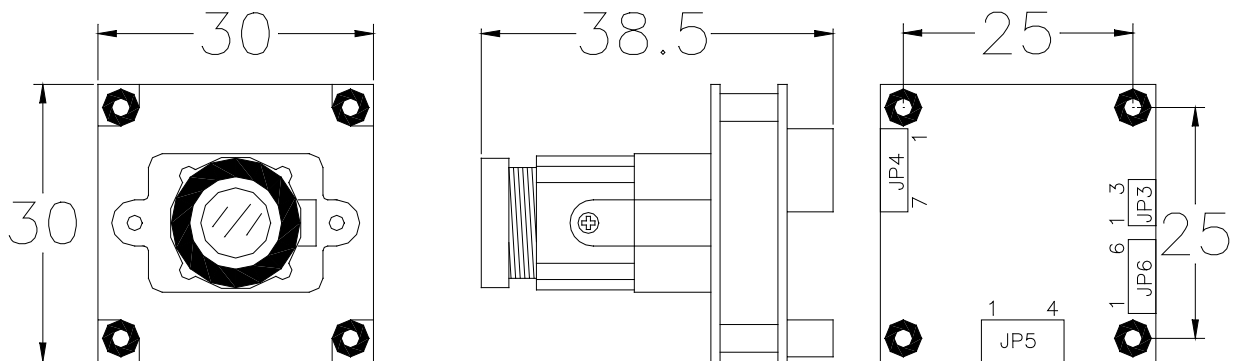


MTV-53K9HN MTV-53K9HP

■ SPECIFICATION

MODE NO.		MTV-53K9HN	MTV-53K9HP
TV SYSTEM		NTSC	PAL
IMAGE SENSOR		1/3-inch CCD Image Sensor	
CCD TOTAL PIXELS		811(H) x 508(V)	795(H) x 596(V)
SCANNING SYSTEM		525 lines, 60 fields/sec	625 lines, 50 fields/sec
SYNC SYSTEM		Internal	
MINIMUM ILLUMINATION		0.4 Lux @F1.2 AGC on	
LENS & VIEW ANGLE		3.6mm F2.0 / 92°	
RESOLUTION		520 TVL / 580 TVL (Enhanced)	
S/N RATIO TYPICAL (MAX)		52dB (MIN) / 60dB (TYP) (AGC OFF)	
WHITE BALANCE	MODE	ATW / AWB (Zero color rolling)	
	RANGE	3200---10000 °K (2200 -15000 °K With S Filter)	
MIRROR FUNCTION		ON / OFF	
B.L.C. FUNCTION		ON / OFF	
ZOOM FUNCTION		ON / OFF	
AUTO IRIS		A.E.S. / VIDEO-IRIS	
ELECTRONIC SHUTTER (A.E.S.)		1/60-1/120,000 sec.	1/50-1/120,000 sec.
VIDEO OUTPUT		1.0V p-p composite video at 75 ohm	
GAMMA CORRECTION		0.45	
GAIN CONTROL		AGC ON / OFF	
OPERATION TEMPERATURE		-20°C TO 50°C	
OPERATIONAL HUMIDITY		within 85 % RH	
POWER SUPPLY		DC12V±1V / 150mA	

Dimension: Unit (mm)



PIN Assignment

JP3		JP4		JP5		JP6	
1	+9V	1	AI / AE	1	+12V	1	+3V3
2	IRIS-SIG	2	AGC ON / OFF	2	GND	2	SDO
3	GND	3	BLC ON / OFF	3	VIDEO	3	SDI
		4	ZOOM ON / OFF	4	GND	4	STB
		5	MIRROR			5	SCK
		6	ATW / AWB			6	GND
		7	GND				

※The specifications and appearance of the product may changed without notice.