

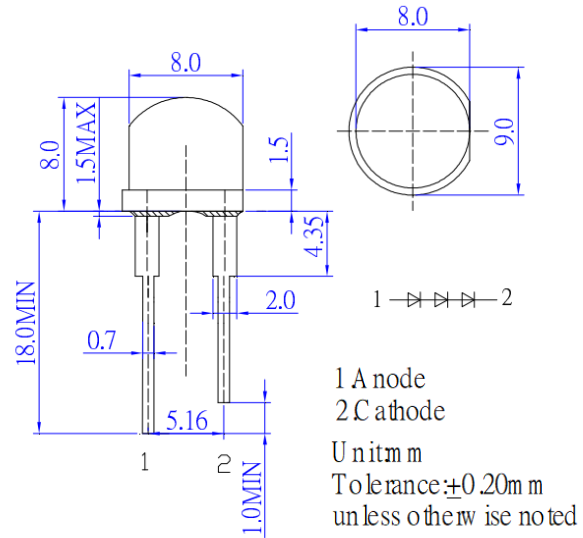
■Features

- High Luminous LEDs
- 8mm Straw Standard Directivity
- UV Resistant Epoxy
- Water Clear Type

■Applications

- Backlighting (Illuminated advertising, general lighting, etc)
- Portable (flashlight, bicycle)
- Interior and exterior automotive lighting
- Other Lighting

■Outline Dimension



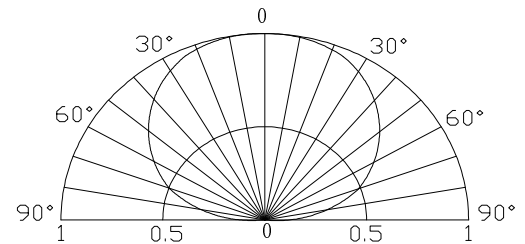
■Absolute Maximum Rating

($T_a=25^\circ\text{C}$)

Item	Symbol	Value	Unit
DC Forward Current	I_F	45	mA
Pulse Forward Current#	I_{FP}	80	mA
Reverse Voltage	V_R	15	V
Power Dissipation	P_D	486	mW
Operating Temperature	T_{opr}	-30 ~ +85	$^\circ\text{C}$
Storage Temperature	T_{stg}	-40 ~ +100	$^\circ\text{C}$
Lead Soldering Temperature	T_{sol}	260 $^\circ\text{C}$ /5sec	-

#Pulse width Max 10ms , Duty ratio max 1/10

■Directivity



■Electrical -Optical Characteristics

($T_a=25^\circ\text{C}$)

Item	Symbol	Condition	Min.	Typ.	Max.	Unit
DC Forward Voltage*1	V_F	$I_F=40\text{mA}$	8.4	9.3	10.8	V
DC Reverse Current	I_R	$V_R=15\text{V}$	-	-	10	μA
Luminous Flux*2	Φ_v	$I_F=40\text{mA}$	8	12	-	lm
Domi. Wavelength*3	λ_D	$I_F=40\text{mA}$	455	460	465	nm
50% Power Angle	$2\theta_{1/2}$	$I_F=40\text{mA}$	-	140	-	deg

*1 Tolerance of measurements of forward voltage is $\pm 0.1\text{V}$

*2 Tolerance of measurements of Luminous Flux is $\pm 15\%$

*3 Tolerance of measurements of Domi. wavelength is $\pm 1\text{nm}$

InGaN LED

TYPICAL ELECTRICAL/OPTICAL CHARACTERISTIC CURVES

