

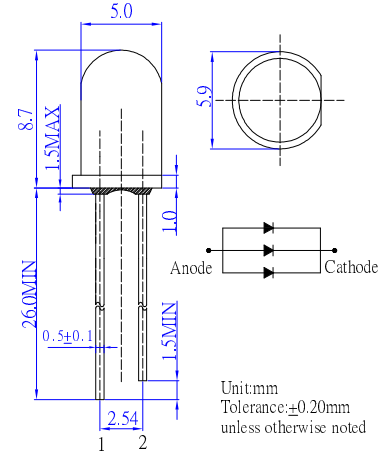
■ Features

- High Luminous LEDs
- 5mm Round Standard Directivity
- UV Resistant Epoxy
- Water Clear Type

■ Applications

- Backlighting (illuminated advertising etc.)
- Substitution of Micro Incandescent Lamps
- Reading Lamps / Emergency Lighting
- Marker lights (e.g. steps, exit ways, etc.)
- Other Lighting

■ Outline Dimension

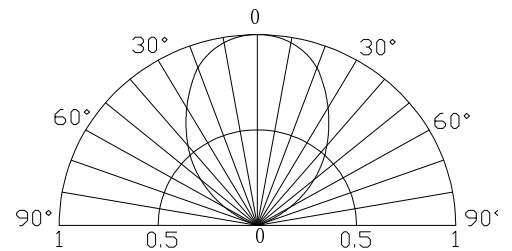


■ Absolute Maximum Rating (Ta=25°C)

Item	Symbol	Value	Unit
DC Forward Current	I _F	90	mA
Pulse Forward Current#	I _{FP}	180	mA
Reverse Voltage	V _R	5	V
Power Dissipation	P _D	306	mW
Operating Temperature	T _{opr}	-30 ~ +85	°C
Storage Temperature	T _{stg}	-40 ~ +100	°C
Lead Soldering Temperature	T _{sol}	260°C/5sec	-

#Pulse width Max 10ms , Duty ratio max 1/10

■ Directivity



■ Electrical -Optical Characteristics (Ta=25°C)

Item	Symbol	Condition	Min.	Typ.	Max.	Unit
DC Forward Voltage*1	V _F	I _F =90mA	2.7	2.9	3.4	V
DC Reverse Current	I _R	V _R =5V	-	-	30	μA
Luminous Flux*2	Φ _v	I _F =90mA	35	40	-	lm
Luminous Intensity*3	I _v	I _F =90mA	18000	22000	-	mcd
Color Temperature*4	CCT	I _F =90mA	-	6500	-	K
Chromaticity Coordinates*5	x	I _F =90mA	-	0.31	-	
	y	I _F =90mA	-	0.33	-	
50% Power Angle	2θ _{1/2}	I _F =90mA	-	85	-	deg

*1 Tolerance of measurements of forward voltage is ±0.1V

*2 Tolerance of measurements of luminous flux is ±15%

*3 Tolerance of measurements of luminous intensity is ±15%

*4 Tolerance of measurements of color temperature is ±10%

*5 Tolerance of measurements of chromaticity coordinates is ±10%

InGaN LED

TYPICAL ELECTRICAL/OPTICAL CHARACTERISTIC CURVES

