

**■Features**

- High Luminous LEDs
- 5mm Standard Directivity
- Long Lifetime Operation
- UV Resistant Epoxy
- Water Clear Type

**■Applications**

- Signage and channel letter
- Decorating and entertainment lighting
- Architectural lighting
- Outdoor/Indoor applications
- Backlighting/Other Lighting

**■Absolute Maximum Rating**

(Ta=25°C)

Item	Symbol	Value	Unit
DC Forward Current	I <sub>F</sub>	70	mA
Pulse Forward Current#	I <sub>FP</sub>	120	mA
Reverse Voltage	V <sub>R</sub>	5	V
Power Dissipation	P <sub>D</sub>	182	mW
Operating Temperature	Topr	-30 ~ +85	°C
Storage Temperature	Tstg	-40~ +100	°C
Lead Soldering Temperature	Tsol	260°C/5sec	-

#Pulse width Max.10ms Duty ratio max 1/10

**■Electrical -Optical Characteristics**

(Ta=25°C)

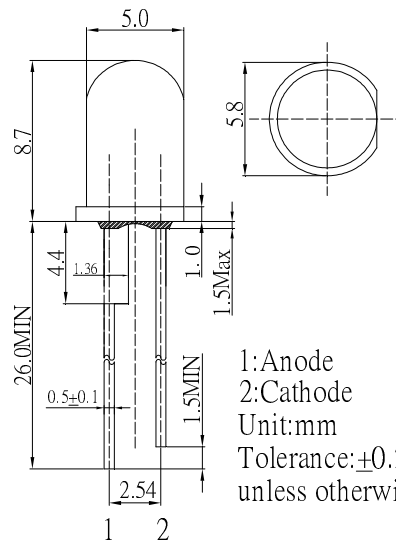
Item	Symbol	Condition	Min.	Typ.	Max.	Unit
DC Forward Voltage*1	V <sub>F</sub>	I <sub>F</sub> =60mA	2.0	2.3	2.6	V
DC Reverse Current	I <sub>R</sub>	V <sub>R</sub> =5V	-	-	10	μA
Domi. Wavelength*2	λ <sub>D</sub>	I <sub>F</sub> =60mA	620	625	630	nm
Luminous Intensity*3	I <sub>v</sub>	I <sub>F</sub> =60mA	60000	75000	-	mcd
50% Power Angle	2θ <sub>1/2</sub>	I <sub>F</sub> =60mA	-	15	-	deg

\*1 Tolerance of measurements of forward voltage is ±0.1V

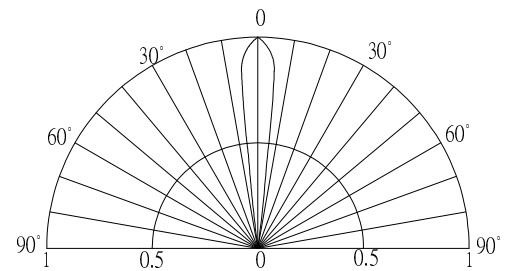
\*2 Tolerance of measurements of Domi. wavelength is ±1nm

\*3 Tolerance of measurements of luminous intensity is ±15%

**■Outline Dimension**



**■Directivity**



**AlGaInP LED**

**TYPICAL ELECTRICAL/OPTICAL CHARACTERISTIC CURVES**

