

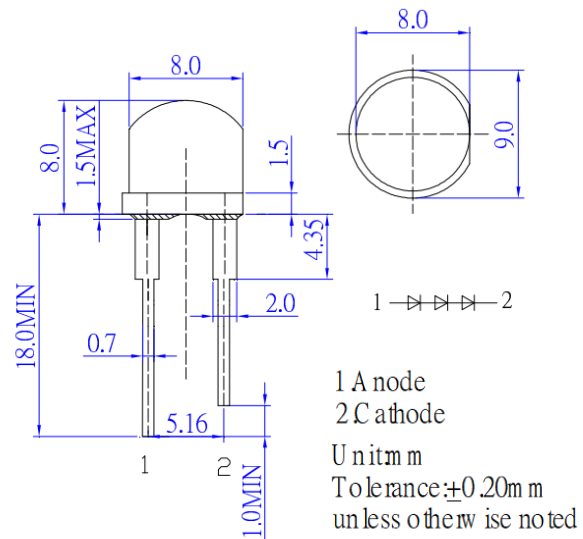
■Features

- High Luminous LEDs
- 8mm Straw Standard Directivity
- UV Resistant Epoxy
- Water Clear Type

■Applications

- Backlighting (Illuminated advertising, general lighting, etc)
- Portable (flashlight, bicycle)
- Interior and exterior automotive lighting
- Other Lighting

■Outline Dimension



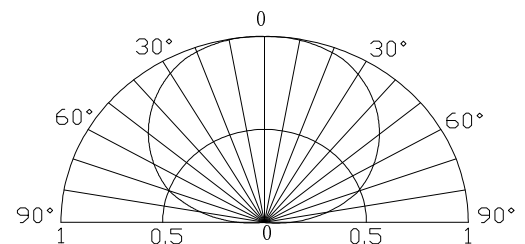
■Absolute Maximum Rating

(Ta=25°C)

Item	Symbol	Value	Unit
DC Forward Current	I _F	45	mA
Pulse Forward Current#	I _{FP}	80	mA
Reverse Voltage	V _R	15	V
Power Dissipation	P _D	486	mW
Operating Temperature	T _{opr}	-30 ~ +85	°C
Storage Temperature	T _{stg}	-40 ~ +100	°C
Lead Soldering Temperature	T _{sol}	260°C/5sec	-

#Pulse width Max 10ms , Duty ratio max 1/10

■Directivity



■Electrical -Optical Characteristics

(Ta=25°C)

Item	Symbol	Condition	Min.	Typ.	Max.	Unit
DC Forward Voltage*1	V _F	I _F =40mA	8.4	9.3	10.8	V
DC Reverse Current	I _R	V _R =15V	-	-	10	μA
Luminous Flux*2	Φ _v	I _F =40mA	40	50	-	lm
Color Temperature*3	CCT	I _F =40mA	8000	10000	17000	K
Chromaticity Coordinates*4	x	I _F =40mA	-	0.27	-	
	y	I _F =40mA	-	0.28	-	
50% Power Angle	2θ _{1/2}	I _F =40mA	-	140	-	deg

*1 Tolerance of measurements of forward voltage is ±0.1V

*2 Tolerance of measurements of Luminous Flux is ±15%

*3 Tolerance of measurements of color temperature is ±10%

*4 Tolerance of measurements of chromaticity coordinates is ±10%

InGaN LED

TYPICAL ELECTRICAL/OPTICAL CHARACTERISTIC CURVES

