

**■ Features**

- High Luminous LEDs
- 5mm Round Standard Directivity
- UV Resistant Epoxy
- Water Clear Body with Milky Lens

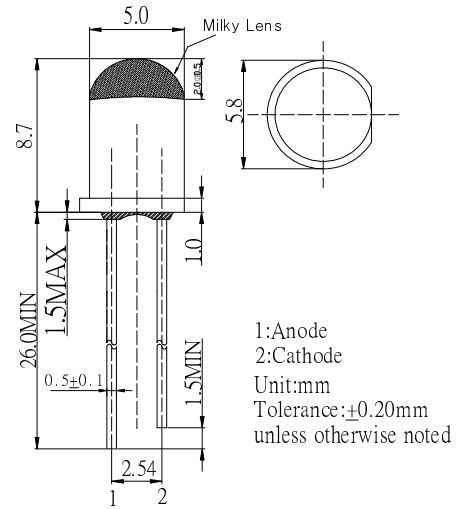
**■ Applications**

- Electronic Signs And Signals
- Small Area Illuminations
- Back Lighting
- Other Lighting

**■ Photo**



**■ Outline Dimension**



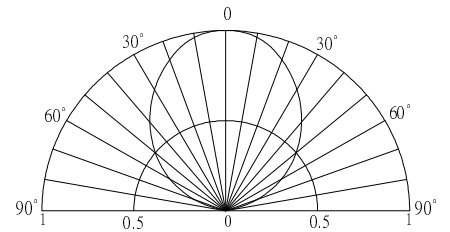
**■ Absolute Maximum Rating**

(Ta=25°C)

| Item                       | Symbol           | Value      | Unit |
|----------------------------|------------------|------------|------|
| DC Forward Current         | I <sub>F</sub>   | 30         | mA   |
| Pulse Forward Current#     | I <sub>FP</sub>  | 100        | mA   |
| Reverse Voltage            | V <sub>R</sub>   | 5          | V    |
| Power Dissipation          | P <sub>D</sub>   | 78         | mW   |
| Operating Temperature      | T <sub>opr</sub> | -30 ~ +85  | °C   |
| Storage Temperature        | T <sub>stg</sub> | -40~ +100  | °C   |
| Lead Soldering Temperature | T <sub>sol</sub> | 260°C/5sec | -    |

#Pulse width Max.10ms Duty ratio max 1/10

**■ Directivity**



**■ Electrical -Optical Characteristics**

(Ta=25°C)

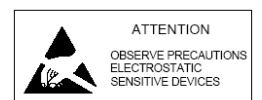
| Item                 | Symbol            | Condition            | Min. | Typ. | Max. | Unit |
|----------------------|-------------------|----------------------|------|------|------|------|
| DC Forward Voltage*1 | V <sub>F</sub>    | I <sub>F</sub> =20mA | 1.8  | 2.1  | 3.6  | V    |
| DC Reverse Current   | I <sub>R</sub>    | V <sub>R</sub> =5V   | -    | -    | 10   | μA   |
| Domi. Wavelength*2   | λ <sub>D</sub>    | I <sub>F</sub> =20mA | 585  | 590  | 595  | nm   |
| Luminous Intensity*3 | I <sub>v</sub>    | I <sub>F</sub> =20mA | 2180 | 3000 | -    | mcd  |
| 50% Power Angle      | 2θ <sub>1/2</sub> | I <sub>F</sub> =20mA | -    | 100  | -    | deg  |

\*1 Tolerance of measurements of forward voltage is ±0.1V

\*2 Tolerance of measurements of dominant wavelength is ±1nm

\*3 Tolerance of measurements of luminous intensity is ±15%

**LED & Application Technologies**



**AlGaInP LED**

TYPICAL ELECTRICAL/OPTICAL CHARACTERISTIC CURVES

