

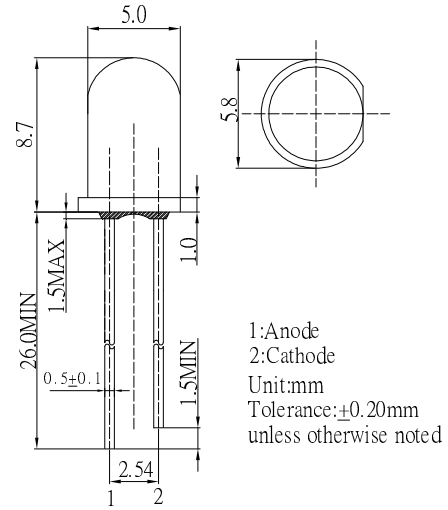
■ Features

- High Luminous LEDs
- 5mm Round Standard Directivity
- UV Resistant Epoxy
- Water Clear Type

■ Applications

- Advertising Board
- Horticulture Application
- Traffic Light / Signal Light
- Beauty Product
- Other Lighting

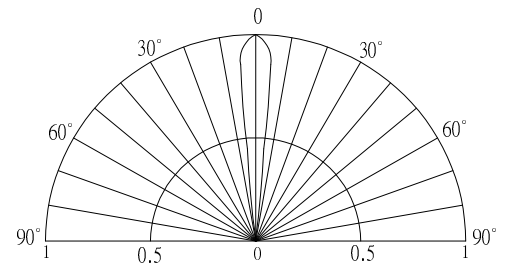
■ Outline Dimension



■ Absolute Maximum Rating (Ta=25°C)

Item	Symbol	Value	Unit
DC Forward Current	I _F	50	mA
Pulse Forward Current#	I _{FP}	120	mA
Reverse Voltage	V _R	5	V
Power Dissipation	P _D	102	mW
Operating Temperature	T _{opr}	-30 ~ +85	°C
Storage Temperature	T _{stg}	-40 ~ +100	°C
Lead Soldering Temperature	T _{sol}	260°C/5sec	-

■ Directivity



#Pulse width Max.10ms Duty ratio max 1/10

■ Electrical -Optical Characteristics (Ta=25°C)

Item	Symbol	Condition	Min.	Typ.	Max.	Unit
DC Forward Voltage*1	V _F	I _F =30mA	2.7	3.0	3.4	V
DC Reverse Current	I _R	V _R =5V	-	-	10	μA
Luminous Flux*2	Φ _v	I _F =30mA	2.5	3.0	-	lm
Luminous Intensity*3	I _v	I _F =30mA	14.4	18	-	cd
Dom. Wavelength*4	λ _D	I _F =30mA	465	470	475	nm
50% Power Angle	2θ _{1/2}	I _F =30mA	-	15	-	deg

*1 Tolerance of measurements of forward voltage is ±0.1V
 *2 Tolerance of measurements of luminous flux is ±15%
 *3 Tolerance of measurements of luminous intensity is ±15%
 *4 Tolerance of measurements of dominant wavelength is ±1nm

InGaN LED

TYPICAL ELECTRICAL/OPTICAL CHARACTERISTIC CURVES

